

Product Name	ThermaCube™ Delivery System Induction Charger	Quantity		Item #	
--------------	---	----------	--	--------	--



Standard Features

- Portable table top design with powder coated steel, heavy duty electronic components, and high impact polycarbonate locator
- Microprocessor monitors vital components multiple times per second to check for overheating, power supply problems and more. Charger shuts off and indicates error codes enabling user to diagnose and correct minor problems
- Initial charge in four minutes or less
- Recharge in 60 seconds (avg.)
- Lightweight pellet and bag
- Extremely easy to implement with no delivery bag cord, no maintenance, and no extra labor steps
- Charger housing manufactured and designed to operate on a standard countertop or “dropped-in” to a custom shelving unit
- Heat energy is generated and contained in a pellet located in the delivery bag. The charger surface does not get hot.
- User friendly membrane panel and lighted displays are easy to operate and understand
- Charger manufactured and designed to handle exposure to flour, dust, oil, grease, and various other food substances found in food establishments
- Automatic load detection allows for instant energy transmission to bag, and almost no energy consumption when bag is not present
- Automatic shut-off feature prohibits overheating
- Easy to clean polycarbonate surface

- Integral cooling fan keeps internal electronics cool
- Available in 100-120VAC
- Three year limited warranty
- Made in the USA*

Specifications

Shall be a CookTek induction Thermal Delivery System, model _____ with a total kW rating of _____.

Unit shall be manufactured in the United States and constructed of powder coated steel with a polycarbonate locator tray.

Unit shall be equipped with microprocessor that performs precise temperature control, auto shut-off to prevent overheating, self-diagnostics to ensure consistent heating of induction-compatible loads.

Unit shall operate on _____ power with integral _____ cord and plug (supplied).

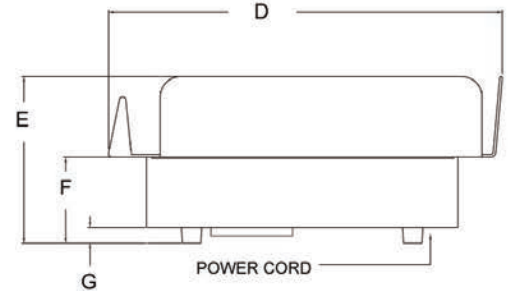
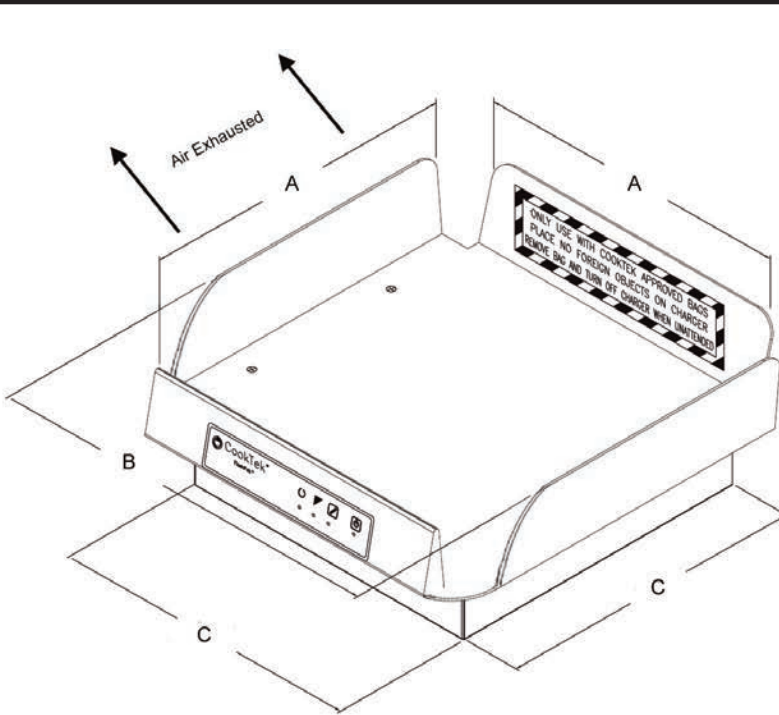
NOTE: ThermaCube™ Thermal Delivery System must be used in conjunction with CookTek® approved TCL bags and TCL FlashPak™ discs.

*of USA and imported parts

CookTek Induction Systems, LLC
156 N. Jefferson St. Ste 300
Chicago, IL 60661-1436, USA
www.cooktek.com

Tel: 1.312.563.9600 Fax: 1.312.432.6220
Toll Free: 1.888.COOKTEK (266.5835)
Toll Free Fax: 1.888.COOKFAX (266.5329)

THERMACUBE™ DELIVERY SYSTEM INDUCTION



Dimensions		
	inches	mm
A	16.25	412
B	20.19	512
C	15.50	393
D	21.63	549
E	8.55	217
F	4.55	115
G	1.00	25

- Dedicated circuit required
- Requires maximum (do not exceed) ambient temperature of 50°C/122°F
- Cooling clearance: 2" (55mm) for front and rear, 6" (152mm) below when mounted in custom shelving unit



Specifications

TCL100

Model Number	TCL100
Power Requirements	100-120VAC, 1 Ph
Power Consumption	1800W (max)
Voltage	100-120VAC, 50/60 Hz
Amperage	15A (max)
Base Dimensions (in)	15.5" x 15.5" x 4.55"
Base Dimensions (mm)	393 x 393 x 115
Dimensions w/bag locator (in)	21.63" x 20.19" x 8.55"
Dimensions w/bag locator(mm)	549 x 512 x 217
Weight	19 lbs / 8.6 kg
Packaged Weight	23.3 lbs / 10.6 kg
Packaged Dimensions (in)	24" x 23" x 13"
Packaged Dimensions (mm)	609 x 584 x 330
Power Cord Length	6 ft / 1.8 m
Plug Type	NEMA 5-15P
Warranty	36 months limited parts and labor on charger only

Note: Ambient air should not exceed 50°C/122°F. Dedicated circuit required. Many local codes exist, and it is the Owner and Installer's responsibility to comply with those codes. CookTek continually improves its products and reserves the right to change or improve specifications without notice.

COOKTEK

CookTek Induction Systems, LLC
156 N. Jefferson St. Ste 300
Chicago, IL 60661-1436, USA
www.cooktek.com

Tel: 1.312.563.9600 Fax: 1.312.432.6220
Toll Free: 1.888.COOKTEK (266.5835)
Toll Free Fax: 1.888.COOKFAX (266.5329)