



## **The Perfect Match for any Packaged Food Program!**



**Counter Top Merchandiser**  
**Model:**  
**CTD-24**

### **MAXIMIZED MERCHANDISING**

- Showcase Specialty hot food items
- Aesthetically Pleasing
- Minimized glare on glass
- Warm full length lighting
- Mirrored Sliding Back Doors
- Fog prevention

### **MULTI-FUNCTION**

- Operates wet or dry as needed for your product.
- Hot holding maintains temperatures for at least 4 hours.
- Very compact - Only 24" wide and 19" deep!

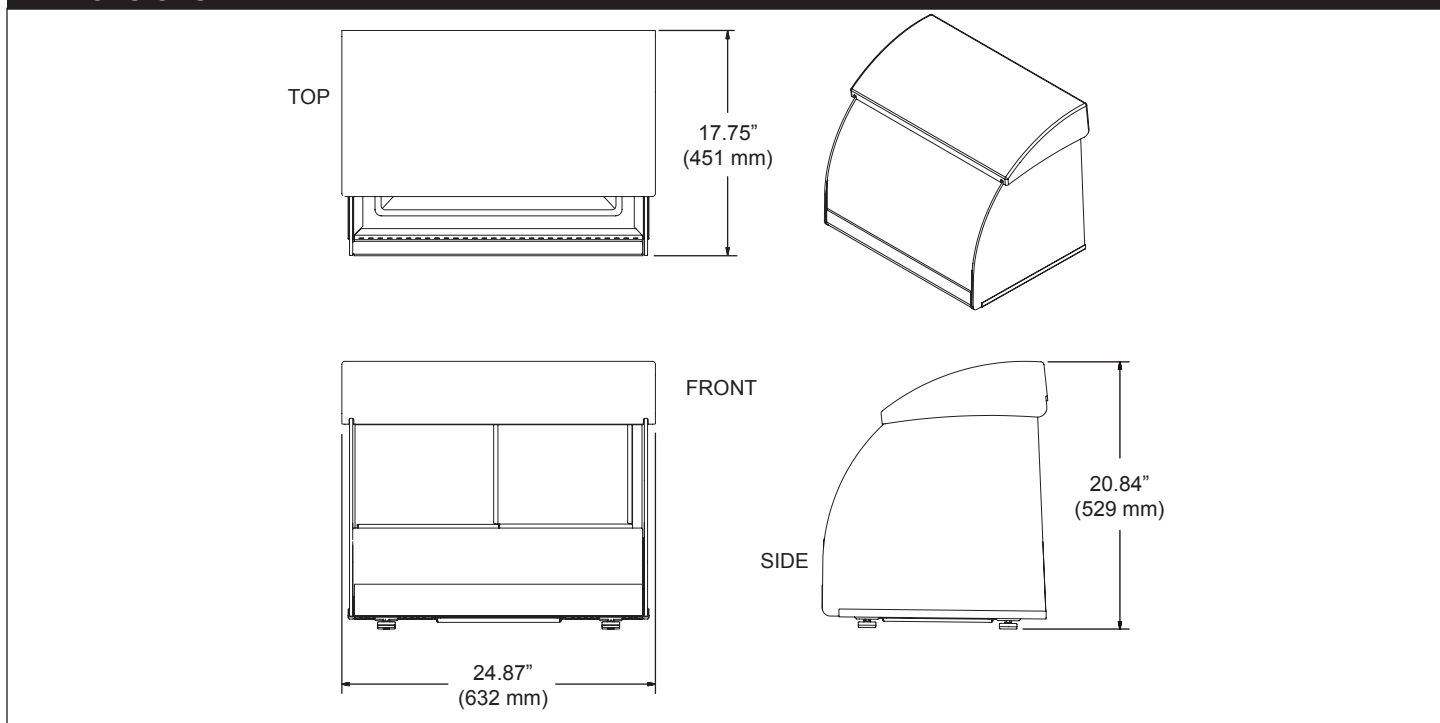
### **QUALITY CONSTRUCTION**

- Accurate temperature controls for food safety.
- Food safe heat regulating system stays on - wet or dry.
- Precision fit pans focus condensate steam on heating pans and food.

### **DAILY MAINTENANCE**

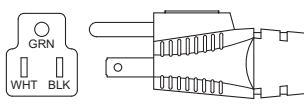
- Hinged top cap and front glass allows complete access for easy cleaning.
- Drain valve for releasing water from reservoir.

**Dimensions**



Model & Mfg. No.	Height	Width	Depth	Shipping Weight
CTD-24 9800100	20.84" (529 mm)	24.87" (632 mm)	17.75" (451 mm)	118 lbs (53.5 kg)

**Electrical Ratings and Plug Configurations**

Model & Mfg. No.	Volts	Watts	Amps	Hertz	Plug Description	Configuration
CTD-24 9800100	120	1000	9	50/60	NEMA 5-15P 15 Amp., 120 VAC., Non-locking (Assembly only)	

**LAMPS:**

Four (4) 100 Watt, shatter resistant coating, wired to main switch.



A.J. Antunes & Co.  
 Headquarters/Manufacturing  
 180 Kehoe Boulevard  
 Carol Stream, Illinois 60188 USA  
 Phone (630) 784-1000  
 Toll Free (800) 253-2991  
 Fax: (630) 784-1650

Antunes Equipment  
 Manufacturing (Suzhou) Ltd.,  
 9 Hou Ju Road, Building #24,  
 S&T Park, SND  
 Suzhou, Jiangsu, China 215011  
 Phone: 86-512-6841-3637  
 Fax: 86-512-6841-3907