

## Hot Dog Hutch | HDH



**HDH-3**



**HDH-3DR**

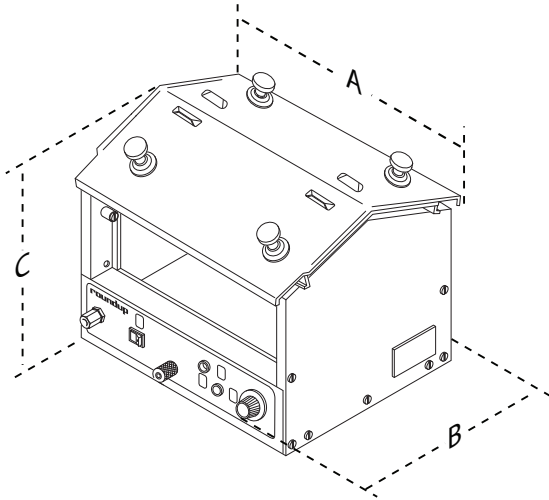
Give a boost to any menu by serving hot dogs that are both hot and fresh. The Hot Dog Hutch uses plain tap water to heat hot dogs and buns and maintain them at a ready-to-eat temperature. It features an adjustable thermostat to ensure freshness and a removable top cover that retains heat while providing easy access to the food. The unit also turns off automatically when out of water.

### FEATURES

- Stainless steel construction.
- Tempered safety glass.
- Adjustable thermostat.
- Removable top cover for easy access.
- Easy to use and clean.
- Seven-quart water pan.
- Small footprint.

# Hot Dog Hutch | HDH

## Dimensions



Model & Mfg. No.	Width (A)	Depth (B)	Height (C)
HDH-3 9300100 9300102	18 1/4" (464 mm)	15" (381 mm)	15" (381 mm)
HDH-3DR 9300106	18 1/4" (464 mm)	15" (381 mm)	15" (381 mm)

## Shipping Dimensions

Model & Mfg. No.	Height	Width	Depth	Weight
HDH-3 9300100 9300102	20" (508 mm)	22" (559 mm)	20" (508 mm)	41 lbs. (19 kg)
HDH-3DR 9300106	20" (508 mm)	22" (559 mm)	20" (508 mm)	41 lbs. (19 kg)

## Electrical Ratings and Plug Configuration

Model & Mfg. No.	Volts	Watts	Amps	Hertz	Plug Description
HDH-3 9300100	120	1000	8.3	50/60	NEMA 5-15P 15 Amp., 120 Volt
HDH-3 9300102	230	1000	4.4	50/60	CEE 7/7 16 Amp., 250 Volt
HDH-3DR 9300106	120	1000	8.3	50/60	NEMA 5-15P 15 Amp., 120 Volt

## Capacities

### WATER

Seven quarts (5.6 liters) in water tray.

### FOOD

Refrigerated product only—no frozen items

**HDH-3:** Up to thirty-three 7" (178 mm) hot dogs in the rack; up to 20 standard hot dog buns in the basket.

**HDH-3DR:** Up to sixty-six 7" (178 mm) hot dogs in the racks.

P/N 1020223 01/17