

Lid Dispenser System
Model:
LD-10

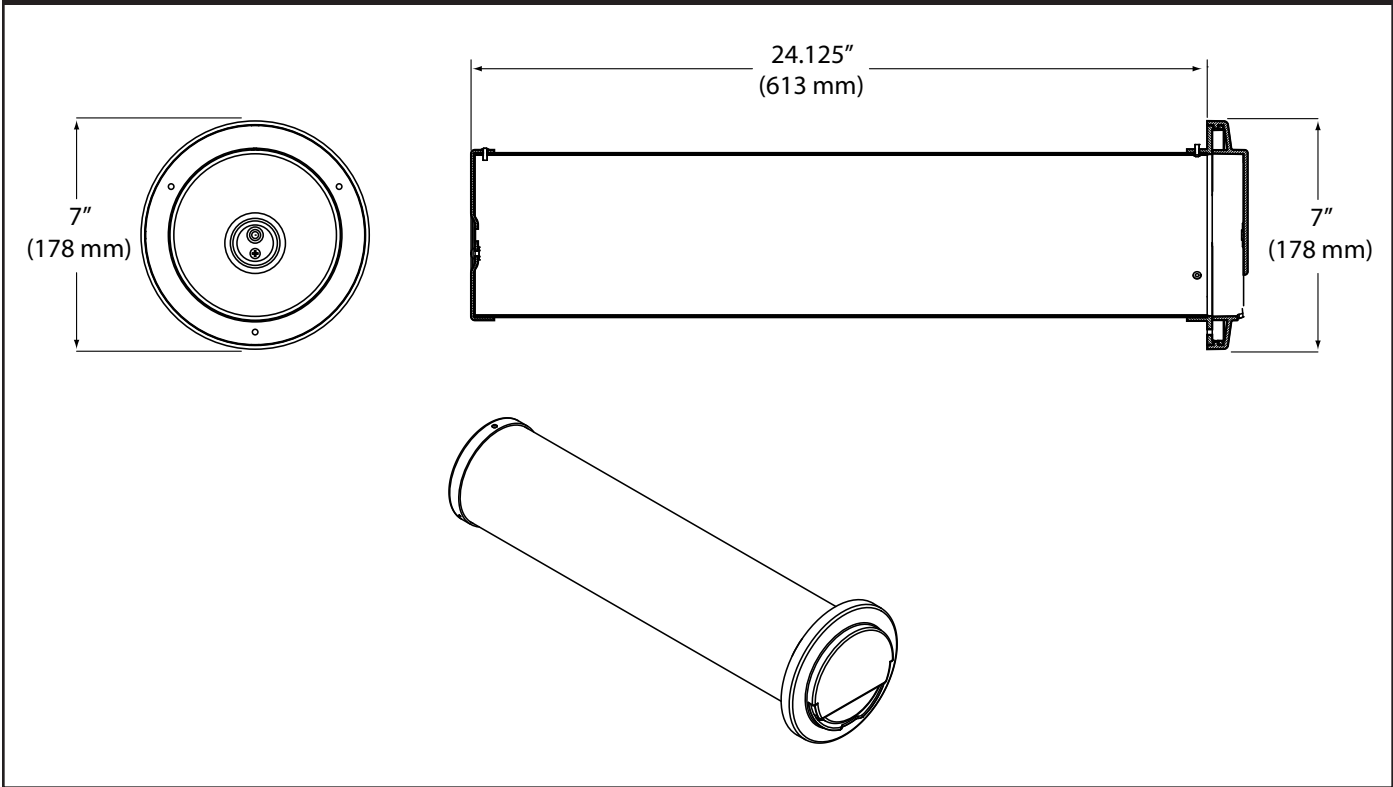
The LD-10 Lid Dispenser System is the ideal way to store your cold cup lids in a safe and economical way. With a thumb groove at the front of the dispenser, the LD-10 reduces waste and prevents the spread of germs by ensuring that only one lid can be touched at a time. No more messy countertops or extra lids to discard!

Features:

- Suitable for all lid sizes.
- Thumb groove at front of unit for easily locating and dispensing just a single lid at a time.
- Saves money by preventing discarded extra lids.
- No more wasted time separating nested lids.



Dimensions



Model & Mfg. No.	Operating Weight*	Shipping Weight
LD-10 9900642	2.24 lbs (1.01 kg)	3.35 lbs (1.51 kg)

*without lids



A.J. Antunes & Co.
 Headquarters/Manufacturing
 180 Kehoe Boulevard
 Carol Stream, Illinois 60188 USA
 Phone (630) 784-1000
 Toll Free (800) 253-2991
 Fax: (630) 784-1650

Antunes Equipment
 Manufacturing (Suzhou) Ltd.,
 9 Hou Ju Road, Building #24,
 S&T Park, SND
 Suzhou, Jiangsu, China 215011
 Phone: 86-512-6841-3637
 Fax: 86-512-6841-3907

www.ajantunes.com