

Miracle Steamer



MS-150



MS-250



MS-355

The Miracle Steamer is the latest addition to our steamer technology product line.

The Miracle Steamer features two steam options. For instant steam that quickly reheats items or melts cheese, a simple push button releases dry, super-heated steam into the food chamber. Because the steam is released from the top of the food chamber, heat penetration is very efficient and fast.

For items that require longer steaming times, a programmable time cycle is also provided.

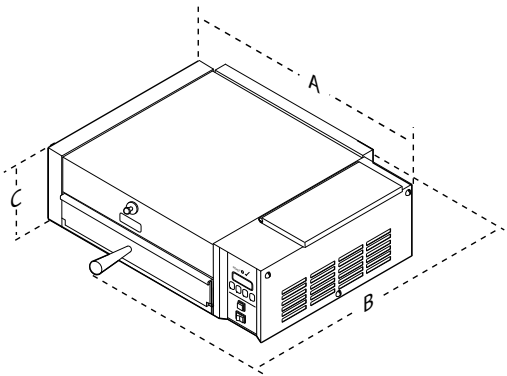
NOTE: Units with a direct water hookup require a water pressure regulator. The psi should be between 20 and 30.

Features:

- Easy-to-use drawer or spatula system.
- Compact size.
- Digital display electronic controls.
- Ideal for melting cheese, reheating and steaming a variety of food items.
- Quick and easy clean up.
- Patented open steam generator allows use of plain tap water.
- Stainless steel construction for long life.
- Models available with either a self-contained water reservoir or direct water hookup.

Miracle Steamer

Dimensions



Model & Mfg. No.	Width (A)	Depth (B)	Height (C)
MS-150	21" (533 mm)	21 3/8" (543 mm)	10 1/4" (260 mm)
MS-250	21" (533 mm)	21 3/8" (543 mm)	9 1/2" (241 mm)
MS-155	21" (533 mm)	17 1/4" (438 mm)	10 1/4" (260 mm)
MS-255	21" (533 mm)	17 1/4" (438 mm)	9 1/2" (241 mm)
MS-355	25 1/4" (641 mm)	17 1/4" (438 mm)	10 1/4" (260 mm)

Shipping Dimensions

Model & Mfg. No.	Height	Width	Depth	Weight
MS-150	28" (711 mm)	16" (406 mm)	24" (610 mm)	58 lbs. (26 kg)
MS-250	28" (711 mm)	16" (406 mm)	24" (610 mm)	55 lbs. (25 kg)
MS-155	28" (711 mm)	16" (406 mm)	24" (610 mm)	60 lbs. (27 kg)
MS-255	28" (711 mm)	16" (406 mm)	24" (610 mm)	60 lbs. (27 kg)
MS-355	33" (838 mm)	17" (432 mm)	24" (610 mm)	65 lbs. (29 kg)



A.J. Antunes & Co.
We exist to make our customers successful.

A.J. Antunes & Co.
Headquarters/Manufacturing
Carol Stream, Illinois 60188 USA
Phone: (630) 784-1000
Toll Free: (800) 253-2991
Fax: (630) 784-1650

Antunes Equipment
Manufacturing (Suzhou) Ltd.,
Suzhou, Jiangsu, China 215011
Phone: 86-512-6841-3637
Toll Free: 400-0-7878-22
Fax: 86-512-6841-3907

Electrical Ratings and Plug Configurations

Model & Mfg. No.	Volts	Watts	Amps	Hertz	Plug Description
MS-150 9100420	208	3300	15.9	50/60	NEMA 6-20P 20 Amp., 250 Volt
MS-150 9100423	120	1800	15	50/60	NEMA 5-15P 15 Amp., 120 Volt
MS-150 9100426	230	3300	14.4	50/60	NEMA 6-20P 20 Amp., 250 Volt
MS-150 9100428	230	3300	14.4	50/60	CEE 7/7 16 Amp., 250 Volt
MS-250 9100430	208	3300	15.9	50/60	NEMA 6-20P 20 Amp., 250 Volt
MS-250 9100433	220- 240	3050- 3600	13.9-15	50/60	NEMA 6-20P 20 Amp., 250 Volt
MS-250 9100436	230	3300	14.4	50/60	NEMA 6-20P 20 Amp., 250 Volt
MS-250 9100438	230	3300	14.4	50/60	CEE 7/7 16 Amp., 250 Volt
MS-250 9100439	120	1800	15	50/60	NEMA 5-15P 15 Amp., 120 Volt
MS-155 9100450	208	3300	15.9	50/60	NEMA 6-20P 20 Amp., 250 Volt
MS-155 9100452	120	1800	15	50/60	NEMA 5-15P 15 Amp., 120 Volt
MS-155 9100456	230	3300	14.4	50/60	NEMA 6-20P 20 Amp., 250 Volt
MS-155 9100458	230	3300	14.4	50/60	CEE 7/7 16 Amp., 250 Volt
MS-255 9100460	208	3300	15.9	50/60	NEMA 6-20P 20 Amp., 250 Volt
MS-255 9100462	120	1800	15	50/60	NEMA 5-15P 15 Amp., 120 Volt
MS-255 9100466	230	3300	14.4	50/60	NEMA 6-20P 20 Amp., 250 Volt
MS-255 9100468	230	3300	14.4	50/60	CEE 7/7 16 Amp., 250 Volt
MS-355 9100480	208	3300	15.9	50/60	NEMA 6-20P 20 Amp., 250 Volt
MS-355 9100482	120	1800	15	50/60	NEMA 5-15P 15 Amp., 120 Volt
MS-355 9100486	230	3300	14.4	50/60	NEMA 6-20P 20 Amp., 250 Volt

NOTE: Water Pressure Regulator required on MS-250 and MS-255 units.