



TL-5270

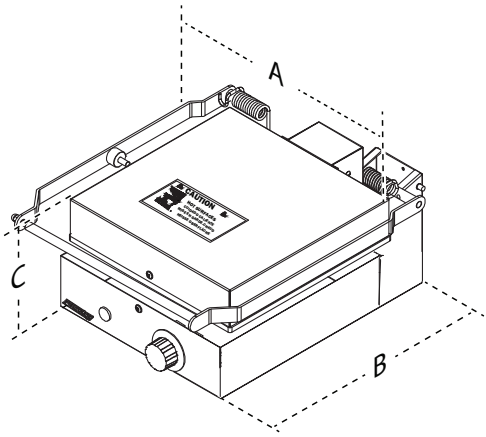
Add variety to any lunch menu in a small footprint. The Panini Grill quickly turns an ordinary sandwich into a delicious panini in mere minutes. This unit has a variable height adjustment to grill and lock in the flavors of sandwiches up to 2 3/4" thick. Easily control the quality of each panini with the adjustable pressure and temperature settings.

Features

- Easy to use.
- Easy-to-clean, two-sided non-stick grill surface.
- Small footprint.
- Adjustable temperature setting.
- Adjustable pressure setting.
- Variable height adjustment between 0 and 2 3/4" (0 and 70 mm).



Dimensions



Model & Mfg. No.	Width (A)	Depth (B)	Height (C)
TL-5270 9800203	11 1/4" (286 mm)	15 3/8" (391 mm)	6 1/2" (165 mm)

Shipping Dimensions

Model & Mfg. No.	Height	Width	Depth	Weight
TL-5270 9800203	10" (254 mm)	17" (432 mm)	15" (381 mm)	25 lbs. (11 kg)

Electrical Ratings and Plug Configuration

Model & Mfg. No.	Volts	Watts	Amps	Hertz	Plug Description
TL-5270 9800203	120	1710	14.3	50/60	NEMA 5-15P 15 Amp., 120 Volt