

Project: \_\_\_\_\_ Location: \_\_\_\_\_ Item #: \_\_\_\_\_ Quantity: \_\_\_\_\_

### Standard Features

- c-CSA-us and NSF certified.
- Double wall kettle interior.
- Bottom kettle is hemispherical designed for superior heat circulation.
- Drip proof, stainless steel clad lid
- Pedestal base has four holes, 7/16" for securing to the floor.
- Power Switch, thermostat, pilot light, low water light, vacuum/pressure gauge, safety relief valve and low water shut off.
- Removable Elements.
- 316 liner up to 40 gallon units.

### Optional Features

- Type 316 stainless steel liner for high acid cooking for 60 to 100 gallon models.
- 24 kW on 40, 60, 80 gallon.
- 33 kW on 60, 80, 100 gallon
- 3" (76 mm) draw-off valve (ACTVT-3).
- 3" (76 mm) dairy valve (ACDDO-3TS).
- Spring assist hinged stainless steel cover (ACSA-) (20 & 40 gallon only).
- Etched gallon markings (ACGM-.)
- Etched litre markings (ACLM-).
- Correctional package
- Two piece hinged stainless steel cover (AC2PHC-).

### Electrical Options

- 208 VAC, 1 phase, 50/60 Hz up to 18kW.
- 208 VAC, 3 phase, 50/60 Hz.
- 220 VAC, 1 phase, 50/60 Hz up to 18kW.
- 220 VAC, 3 phase, 50/60 Hz.
- 240 VAC, 1 phase, 50/60 Hz up to 18kW.
- 240 VAC, 3 phase, 50/60 Hz.
- 380/220 VAC, 3 phase, 50/60 Hz. 4 wire
- 415/240 VAC, 3 phase, 50/60 Hz. 4 wire
- 480 VAC, 3 phase, 50/60 Hz.

### Short Spec

Pedestal Kettle shall be AccuTemp's ACEP series electric a self-generating, electric, pedestal kettle. A double wall kettle interior shall form a steam jacket around the lower 2/3 of the kettle. The jacket enclosure shall contain purified water and is factory sealed. The bottom of the kettle shall be of hemispherical design for superior heat circulation. The pedestal base shall have four, 7/16" holes evenly spaced for securing unit to the floor.

Construction shall be all welded #4 finish stainless steel, type 304. The liner on models 20 through 40 gallon shall be standard 316 for high acid content cooking. The controls shall be integrally mounted and shall include a power switch, thermostat, pilot light, low water light, vacuum/pressure gauge, safety relief valve, and low water shut off.

Features shall include a 2" (50 mm) draw-off valve, 20 through 40 gallon models are supplied with a hinged counterbalanced stainless steel domed cover. The 60 through 100 gallon models are supplied with a spring assist hinged stainless steel domed cover. The kettle shall be ASME Code stamped, National Board Registered, c-CSA-us and NSF certified.

The kettle shall operate in a temperature range of 165°F to 285°F (74°C to 140°C) at a maximum pressure of 50 psi (345 kPa).

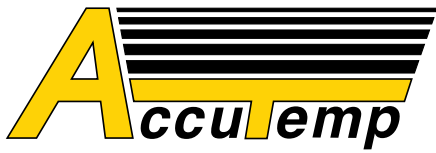
### Other Approvals



ACEP-XX Model Shown

### Accessories

- Triple basket assembly (ACTBA-).
- Perforated strainer for draw off (ACTPS-).
- Solid disc for draw off (ACTSS-).
- Graduated measuring strip (ACCMS-).
- Strainer hook (ACSH-)
- Single pantry faucet with swing spout (ACSF-18).
- Double pantry faucet with swing spout (ACDF-18).
- Draw-off valve hose kit (ACDVHK-2).
- Calibrated thermostat dial, "F"
- Calibrated thermostat dial, "C"

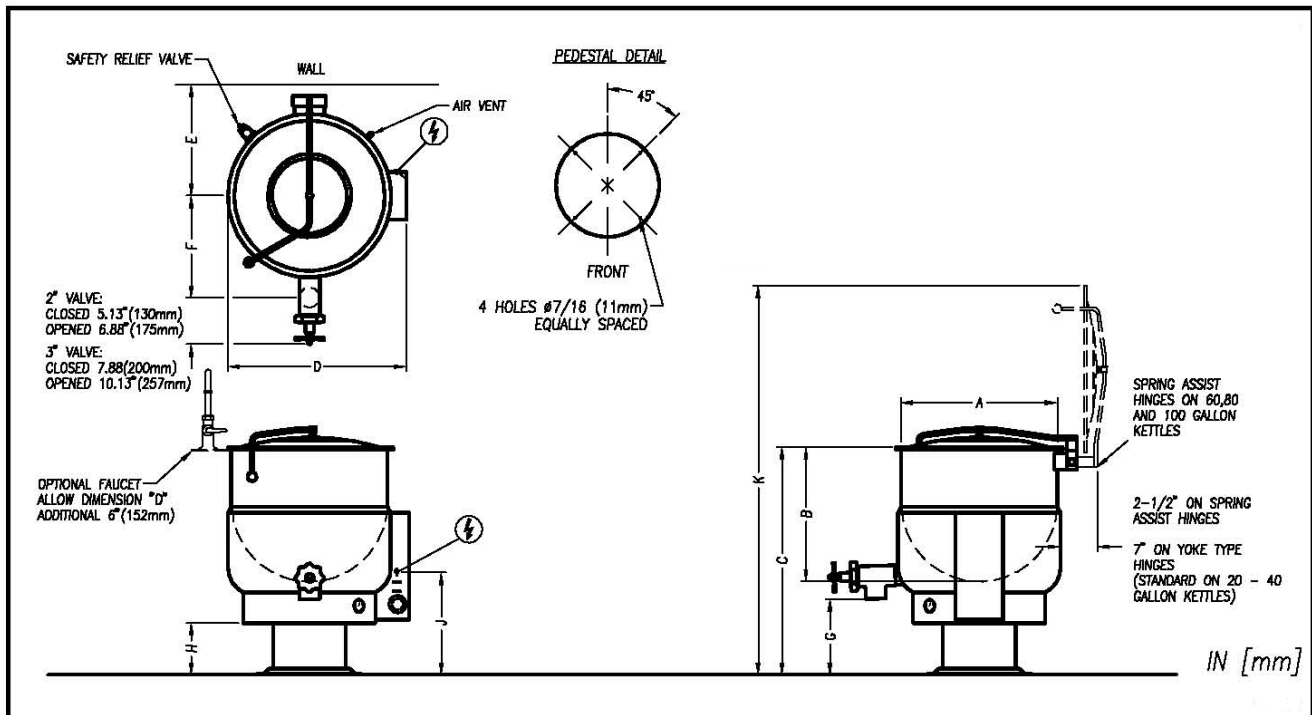


**ELECTRIC STATIONARY PEDESTAL KETTLE**  
 20-100 GALLON CAPACITY—ELECTRIC HEATED,  
 ELECTRIC KETTLE

Pedestal Kettle Model "ACEP" Specifications										
AVAILABLE KW			AMPS PER LINE							
Model #	STD	OPT	kW	Phase	208V	220V	240V	380V	415V	480V
ACEP-20	12	n/a	12	1	57.7	54.5	50.0	n/a	n/a	n/a
ACEP-30	15	n/a		3	33.3	31.5	28.9	18.2	16.7	14.4
ACEP-40	18	24	15	1	72.1	68.2	62.5	n/a	n/a	n/a
ACEP-60	18	24, 33		3	41.6	39.4	36.1	22.8	20.9	18.0
ACEP-80	18	24, 33	18	1	86.5	81.8	75.0	n/a	n/a	n/a
				3	50.0	47.2	43.3	27.3	25.0	21.7
ACEP-100	24	33	24	3	66.6	63.0	57.7	36.5	33.4	28.9
			33	3	91.6	86.6	79.4	50.1	45.9	39.7

Dimensions															
MODEL	SHIPPING WEIGHT	CAPACITY	UNITS	A	B	C	D	E	F(2")	F(3")	G(2")	G(3")	H	J	K
ACEP-20	196 lbs [89 kgs]	20 gallons 76 litres	inches mm	21 533	18 457	38 965	23.75 629	18.5 470	14.75 375	15.5 394	18 457	17.5 445	14 356	21 533	60.5 1537
ACEP-30	226 lbs [103 kgs]	30 gallons 114 litres	inches mm	24 610	20 508	38 965	27.75 705	20 508	16 406	16.5 419	15.75 400	15.25 387	12.5 318	19 483	63.5 1613
ACEP-40	255 lbs [116 kgs]	40 gallons 151 litres	inches mm	26 650	22.5 572	38 965	29.75 756	21 533	17 432	18 457	13.5 343	13 330	9 229	17 432	65 1651
ACEP-60	390 lbs [177 kgs]	60 gallons 227 litres	inches mm	29.5 746	26 660	42 1047	33.75 857	19 483	18 457	19.25 489	14 356	13.5 343	11 280	17.25 438	75 1905
ACEP-80	445 lbs [202 kgs]	80 gallons 303 litres	inches mm	33 838	28 711	45 1143	36.75 933	20.5 521	19.5 495	20.5 521	15 381	14.5 368	12.75 324	18 458	81 2058
ACEP-100	480 lbs [218 kgs]	100 gallons 379 litres	inches mm	35.5 902	30 762	48 1219	40 1016	22 559	21.5 546	22.5 572	15 381	14.5 368	13 330	20.5 521	87 2210

Notes:  
 Electrical connection to be as specified on data plate.



MM6221-1105