



JOB:
ITEM:
QTY:



WALL SHELVES - T-BAR

APPLICATION:

These shelves are ideal for maximizing storage and organization above sinks, stoves, tables, etc... Designed with solid strip brackets that allow you infinite installation capabilities.

MATERIAL:

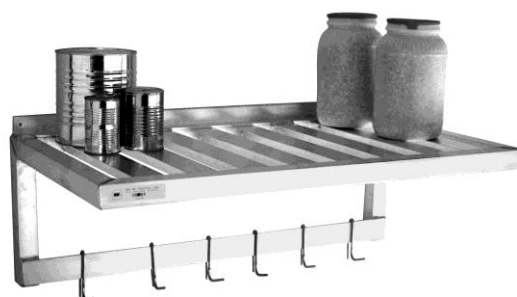
Framework is constructed out of 1 1/2"x 1 1/2"x.070" wall tubing. Laterals are constructed out of 1 1/4"x2 1/4"x.100" wall T-Bar. Pot Rack is constructed out of 1/4"x2" strap.

GUARANTEE:

These wall shelves carry a **Lifetime Guarantee** against rust and corrosion and also carry a **Five-Year Guarantee** against workmanship and material defects.



Model #1121

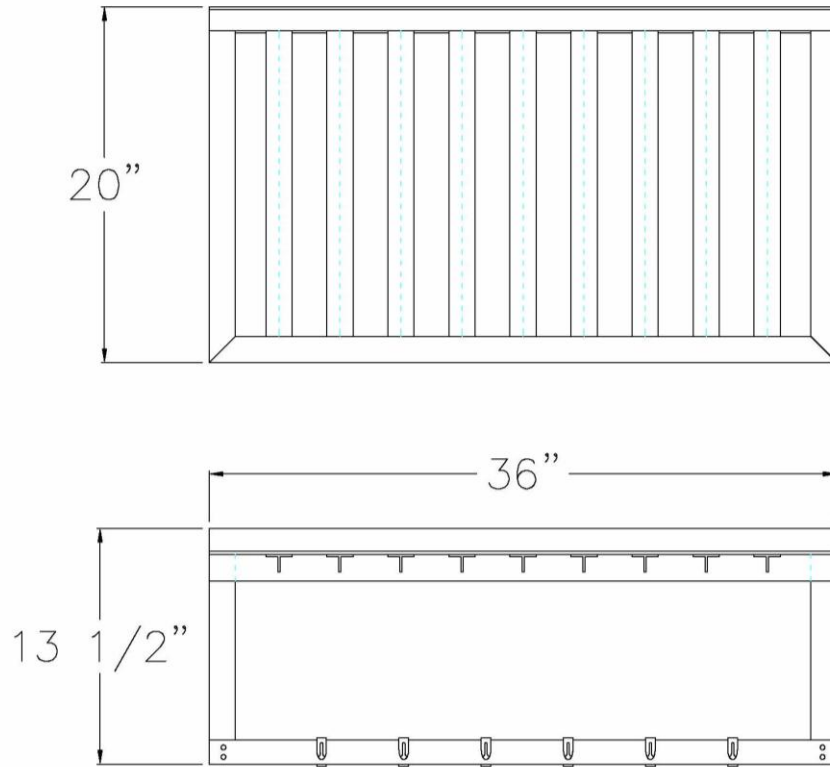


Model #1121PR



Phone: 800-255-0104
Fax: 877-877-7687
www.newageindustrial.com
sales@newageindustrial.com

New Age Industrial reserves the right to modify or make changes at any time without notice to materials and specifications.



Model #1121PR

Model No.	Size-D	Size-L	Wt. Cap.	No. Of Hooks
T-Bar Wall Shelf/ Pot Rack				
1121PR	20"	36"	700	6
1122PR	20"	48"	600	7
1123PR	20"	60"	500	8

Model No.	Size-D	Size-L	Wt. Cap.
T-Bar Wall Shelf			
1121	20"	36"	700
1122	20"	48"	600
1123	20"	60"	500
1124	24"	60"	500



Phone: 800-255-0104
 Fax: 877-877-7687
www.newageindustrial.com
sales@newageindustrial.com

New Age Industrial reserves the right to modify or make changes at any time without notice to materials and specifications.