

Job: _____

Item: _____

Quantity: _____

New Age Industrial Corp., Inc.

PO Box 520 • 16788 US Hwy 36 • Norton, Kansas 67654

Phone: 800-255-0104 • Fax: (877)-877-7687 • www.NewAgeIndustrial.com

MODULAR EQUIPMENT STAND - ECONOMY

- Adjustable aluminum shelves secure to 1-5/16" aluminum posts marked in 2" increments for easy assembly.
- One piece solid top aluminum shelves with double thick 1/8" marine edge contains spills.
- 400# capacity per shelf.
- Ships "KD" (knocked down) for easy assembly with Allen wrench (included).
- Optional #C440 swivel casters with 1" stem.
-5" x 1-3/8" polyolefin caster with 300# capacity each
- Ideal as equipment stands and industrial furniture, either mobile or stationary.
- Five-Year Guarantee against material defects and workmanship.
- Lifetime Guarantee against rust and corrosion.
- NSF Certified.



#21524ES24P

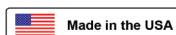


#21524ES24PC



Distributed by:

This information is for general sales and engineering use only. New Age Industrial reserves the right to modify or make changes at any time without notice to materials and specifications.



Job: _____

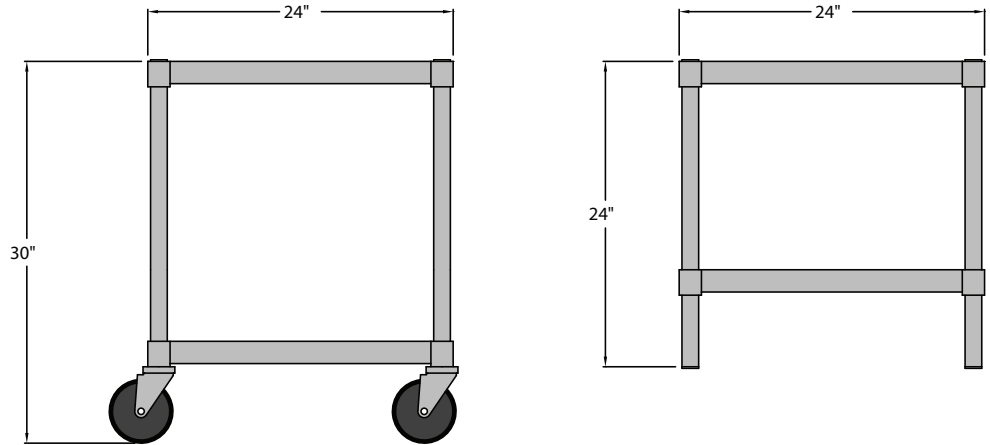
Item: _____

Quantity: _____

New Age Industrial Corp., Inc.
 PO Box 520 • 16788 US Hwy 36 • Norton, Kansas 67654
 Phone: 800-255-0104 • Fax: (877)-877-7687 • www.NewAgeIndustrial.com

MODULAR EQUIPMENT STAND - ECONOMY

Model No.	Size D-H-L	Ship Wt.
Adjustable Solid Shelves (2)		
21524ES24P	15" x 24" x 24"	18#
21530ES24P	15" x 24" x 30"	21#
21536ES24P	15" x 24" x 36"	22#
21542ES24P	15" x 24" x 42"	23#
21548ES24P	15" x 24" x 48"	26#
21824ES24P	18" x 24" x 24"	20#
21830ES24P	18" x 24" x 30"	23#
21836ES24P	18" x 24" x 36"	23#
21842ES24P	18" x 24" x 42"	27#
21848ES24P	18" x 24" x 48"	31#
22024ES24P	20" x 24" x 24"	23#
22030ES24P	20" x 24" x 30"	25#
22036ES24P	20" x 24" x 36"	26#
22042ES24P	20" x 24" x 42"	28#
22048ES24P	20" x 24" x 48"	34#
21524ES30P	15" x 30" x 24"	19#
21530ES30P	15" x 30" x 30"	22#
21536ES30P	15" x 30" x 36"	23#
21542ES30P	15" x 30" x 42"	24#
21548ES30P	15" x 30" x 48"	27#
21824ES30P	18" x 30" x 24"	21#
21830ES30P	18" x 30" x 30"	24#
21836ES30P	18" x 30" x 36"	24#
21842ES30P	18" x 30" x 42"	28#
21848ES30P	18" x 30" x 48"	32#
22024ES30P	20" x 30" x 24"	24#
22030ES30P	20" x 30" x 30"	26#
22036ES30P	20" x 30" x 36"	27#
22042ES30P	20" x 30" x 42"	29#
22048ES30P	20" x 30" x 48"	35#
21524ES36P	15" x 36" x 24"	20#
21530ES36P	15" x 36" x 30"	23#
21536ES36P	15" x 36" x 36"	24#
21542ES36P	15" x 36" x 42"	25#
21548ES36P	15" x 36" x 48"	28#
21824ES36P	18" x 36" x 24"	22#
21830ES36P	18" x 36" x 30"	25#
21836ES36P	18" x 36" x 36"	25#
21842ES36P	18" x 36" x 42"	29#
21848ES36P	18" x 36" x 48"	33#
22024ES36P	20" x 36" x 24"	25#
22030ES36P	20" x 36" x 30"	27#
22036ES36P	20" x 36" x 36"	28#
22042ES36P	20" x 36" x 42"	30#
22048ES36P	20" x 36" x 48"	36#



#21524ES24P

MATERIALS:

Aluminum Sheet Alloy = 5052-H32
 Aluminum Extrusion Alloy = 6063-T5

SHELVES:

Constructed of .040" thick sheet welded to adjustable corner collars. Each shelf is reinforced with two 1-1/2" sq. x .070" wall tubes.

UPRIGHTS:

1-5/16" Dia. pipe, .156" wall.

GUARANTEES:

Lifetime Guarantee against rust and corrosion as well as a Five-Year Guarantee against material defects and workmanship.

NSF Certified.



400# Weight Capacity Per Shelf.

Options:

Casters (4): Add "C" suffix to model #.
 Swivel Stem Casters w/ brakes (#C440)
Note: This option adds 6" to the overall height of the unit.

Distributed by:

This information is for general sales and engineering use only. New Age Industrial reserves the right to modify or make changes at any time without notice to materials and specifications.

