



JOB:
ITEM:
QTY:



ROTADOLLY

APPLICATION:

This low profile dolly is ideal for maneuvering around tight parameters. These casters are great for directional use with lateral movement. This dolly has a weight capacity of 800lbs.

MATERIAL:

The exterior frame is constructed out of 2"x4"x.125" wall tubing. The interior frame is constructed out of 2"x2"x.100" wall tubing. The optional removable handle is constructed out of 1 1/2" diameter pipe.

CASTERS:

These dollies come equipped with four 5" double Rotacaster wheels. The rotacaster is a multi-directional wheel that provides the ability to move in any direction while mounted in a fixed direction, using rollers rather than a swivel mount.

GUARANTEE:

These dollies carry a **Lifetime Guarantee** against rust and corrosion and also carry a **Five-Year Guarantee** against workmanship and material defects.

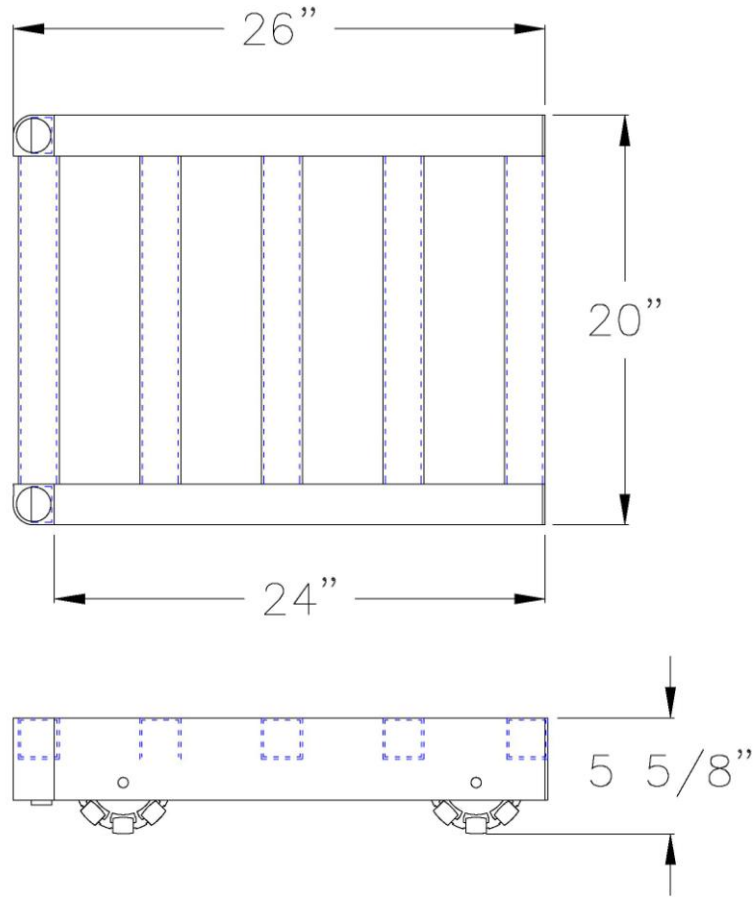


Model #RD2024



Phone: 800-255-0104
Fax: 877-877-7687
www.newageindustrial.com
sales@newageindustrial.com

New Age Industrial reserves the right to modify or make changes at any time without notice to materials and specifications.



Model #RD2024

Model No.	Size-W	Size-H	Size-D	Deck Size
RD2024	20"	5 5/8"	26"	20"X24"
RD2036	20"	5 5/8"	38"	20"X36"
60377-HANDLE FOR 20" DOLLY				
RD2424	24"	5 5/8"	26"	24"X24"
RD2436	24"	5 5/8"	38"	24"X36"
60328-HANDLE FOR 24" DOLLY				



Phone: 800-255-0104
 Fax: 877-877-7687
www.newageindustrial.com
sales@newageindustrial.com

New Age Industrial reserves the right to modify or make changes at any time without notice to materials and specifications.