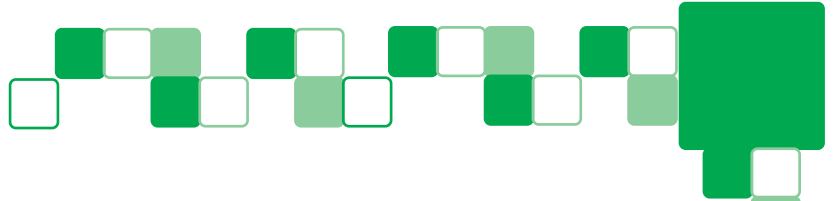


JOB:

ITEM #:

QUANTITY:



# Wall Shelves - Solid

## Get Organized

These shelves are ideal for maximizing storage and organization above sinks, stoves, tables, etc... Designed with solid strip brackets that allow you infinite installation capabilities.

Ideal for lighter loads and smaller products these shelves help contain spills and prohibit product "fall through". Unique marine edge design permits easy cleanup and minimizes the mess of "leaky" products.

## Microwave Shelf

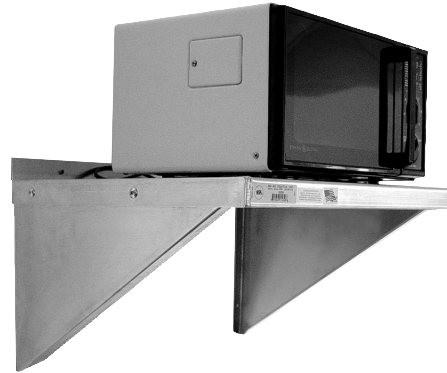
Specifically designed to accommodate microwaves with more shelf space and larger brackets for support.

## Guaranteed

Like all of our products, our Wall Shelves are built to last... We Guarantee It! Each unit carries a **Lifetime Guarantee** against rust and corrosion as well as a **Five-Year Guarantee** against material defects and workmanship.



Solid Wall Shelf



Solid Microwave Shelf



NSF Certified

W  
A  
L  
L  
S  
H  
E  
L  
V  
E  
S  
.  
S  
O  
L  
I  
D



Aluminum Food Handling, Storage, & Transport Solutions

New Age Industrial Corp., Inc. • 1000 E Hwy-36 • PO Box 520 • Norton, Kansas 67654

Phone#: 800.255.0104 • 785.877.5121 • Fax#: 877.877.7687 • 785.877.2616 • www.newageindustrial.com

JOB:  
ITEM #:  
QUANTITY:

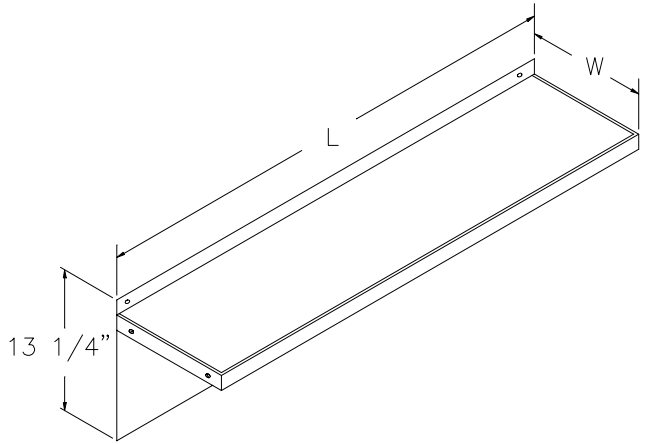
**SPECIFICATIONS**

**MATERIAL:** Aluminum sheet of .040" thickness › *standard shelf*, and .080" thickness › *heavy duty shelf & microwave shelf*. Type 5052-H32 alloy.

**SHELF:** Brake formed with 1-1/2" lip down on three sides and rear lip up 1-1/2", raised marine edge on perimeter of front and sides.

**SHELF SUPPORT BRACKETS:** Brake formed pair of shelf support brackets supplied with each shelf are bolted to ends of shelf and securely attached to wall.

**NOTE:** Method of installation and type of wall determine the final weight capacity of the shelf.



**Solid Wall Shelves**

Model No.	Size D-L	Wt. Cap.	Ship Wt.
-----------	----------	----------	----------

**SOLID WALL SHELVES-- Regular 18 GA**

°NS675	12" x 24"	200	5#
°1125	12" x 36"	150	7#
°1126	12" x 48"	125	8#
°1127	12" x 60"	100	9#

*For lighter loads and smaller product, contains spills.*

**SOLID WALL SHELVES - Heavy Duty 12 GA**

°NS675A	12" x 24"	300	6#
°1125A	12" x 36"	300	8#
°1126A	12" x 48"	225	11#
°1127A	12" x 60"	150	13#
°NS753	15" x 24"	300	5#
°NS943	15" x 36"	300	7#
°NS793	15" x 48"	225	11#
°94249	15" x 60"	150	12#
°95634	18" x 24"	300	8#
°92093	18" x 36"	300	9.5#
°92094	18" x 48"	225	13#
°94136	18" x 60"	150	15#

*Thick, 12 gauge for heavier loads. Performs like stainless steel.*

**MICROWAVE SHELF - HEAVY DUTY 12 GA**

°95634	18" x 24"	300	8#
°95883	24" x 24"	300	10#

° All Items Are UPS-able

**Aluminum Food Handling, Storage, & Transport Solutions**

PHONE#: 800.255.0104 • 785.877.5121 • FAX#: 877.877.7687 • 785.877.2616