



JOB:  
ITEM:  
QTY:

# CORRECTIONAL DUTY TRAY DRYING RACK

## APPLICATION:

These racks conveniently stack pans and trays for drying without contact, allowing air to circulate freely for faster drying and to reduce pan-to-pan contamination.

## MATERIAL:

Framework is constructed out of 1 1/2"x 1 3/4"x.070" wall tubing. Angle tray guides are .090" thick and are spaced on 1 1/2" and 2 3/4" centers.

## CASTERS:

These racks come equipped with four 6"x2" platform type swivel casters.

## GUARANTEE:

These racks carry a **Lifetime Guarantee** against rust and corrosion and a **Five-Year Guarantee** against workmanship and material defects.



**Model #96710**

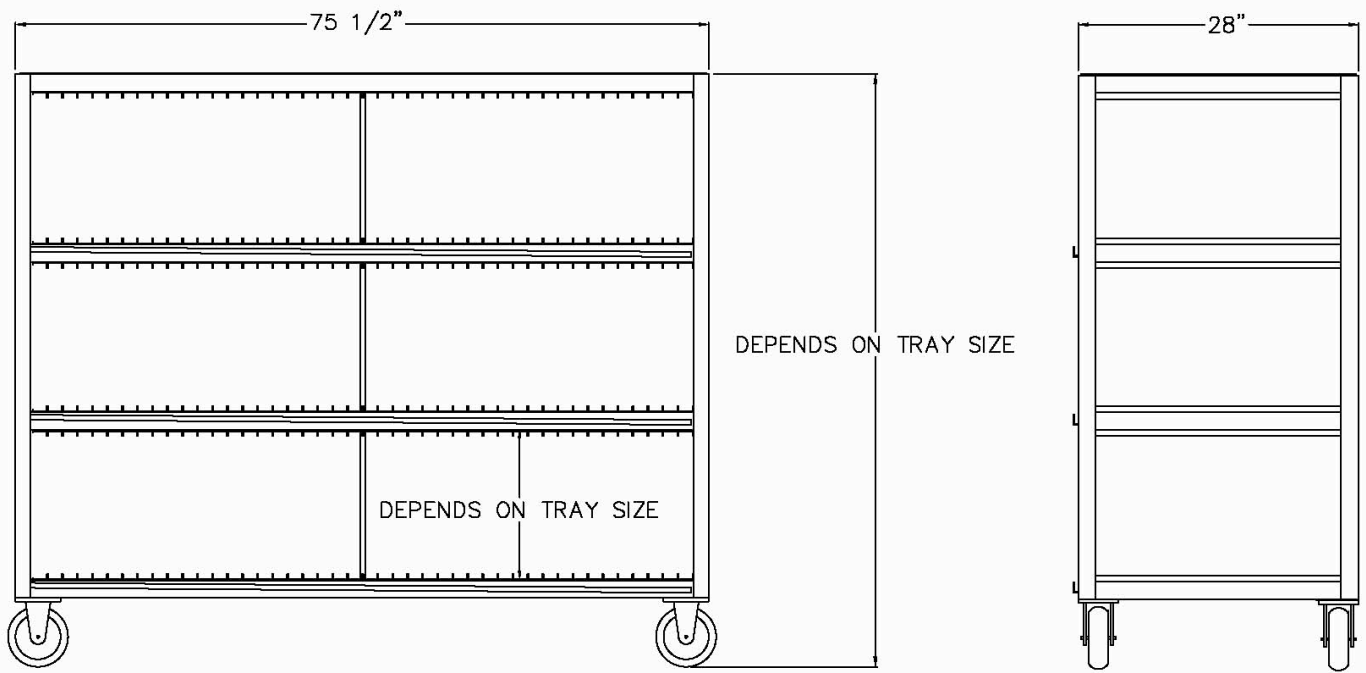


**Model #99452**



Phone: 800-255-0104  
Fax: 877-877-7687  
[www.newageindustrial.com](http://www.newageindustrial.com)  
[sales@newageindustrial.com](mailto:sales@newageindustrial.com)

New Age Industrial reserves the right to modify or make changes at any time without notice to materials and specifications.



**Model #96710**

Model No.	Size-W	Size-H	Size-D	Tray Levels	Guide Clearance	Tray Cap.
96704	28 1/2"	*66"	58 1/4"	3	2.65"	120
96705	28 1/2"	*82"	58 1/4"	4	2.65"	160
96706	28 1/2"	*66"	69 1/4"	3	2.65"	144
96707	28 1/2"	*82"	69 1/4"	4	2.65"	192
96708	28 1/2"	*66"	63 1/2"	3	1.4"	240
98709	28 1/2"	*82"	63 1/2"	4	1.4"	320
96710	28 1/2"	*66"	75 1/2"	3	1.4"	288
96711	28 1/2"	*82"	75 1/2"	4	1.4"	325

**NOTE:** Tray Capacity is based on two compartmented or insulated trays per slot.

\* Height is based on tray size.

Model No.	Size-W	Size-H	Size-D	Tray Levels	Guide Clearance	Tray Cap.
99452	28"	64 7/16"	60"	4	2 3/4"	300

\*99452 is designed to hold Flex Trays



Phone: 800-255-0104  
 Fax: 877-877-7687  
[www.newageindustrial.com](http://www.newageindustrial.com)  
[sales@newageindustrial.com](mailto:sales@newageindustrial.com)



New Age Industrial reserves the right to modify or make changes at any time without notice to materials and specifications.