



JOB:
ITEM:
QTY:



STACKING DUNNAGE RACKS

APPLICATION:

These dunnage racks keep product organized and off the floor. When they are not in use they are designed to be stacked to maximize the storage space.

MATERIAL:

Framework is constructed out of 1 1/2"x1 1/2"x.070" wall tubing. Legs are constructed out of 2"x2"x.125" wall angle.

GUARANTEE:

These racks carry a **Lifetime Guarantee** against rust and corrosion and also carry a **Five-Year Guarantee** against workmanship and material defect.

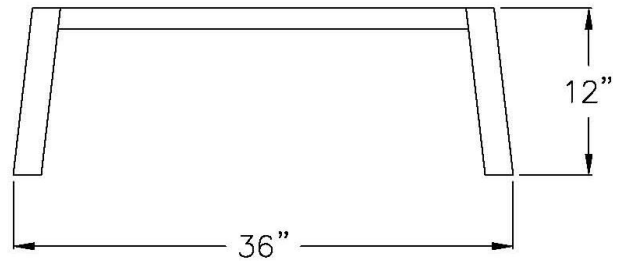
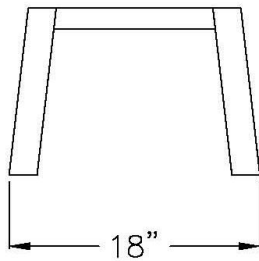
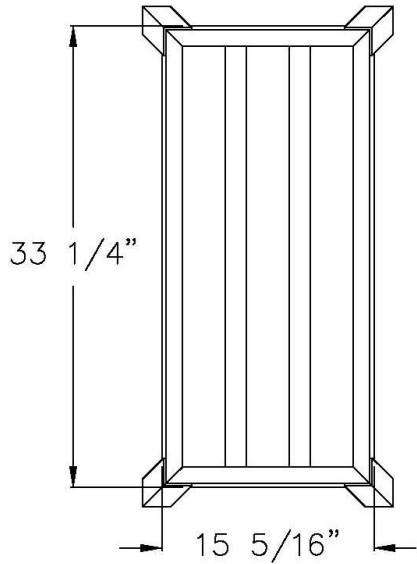


Model #97169



Phone: 800-255-0104
Fax: 877-877-7687
www.newageindustrial.com
sales@newageindustrial.com

New Age Industrial reserves the right to modify or make changes at any time without notice to materials and specifications.



Model #97169

| Model No. | Size-W | Size-H | Size-D | Wt. Cap. | No. of Lat. |
|-----------|--------|--------|--------|----------|-------------|
| 97168 | 18" | 12" | 24" | 3200# | 4 |
| 97169 | 18" | 12" | 36" | 3200# | 4 |
| 97170 | 18" | 12" | 48" | 2700# | 4 |
| 97171 | 20" | 12" | 24" | 3200# | 4 |
| 97172 | 20" | 12" | 36" | 3200# | 4 |
| 97173 | 20" | 12" | 48" | 2700# | 4 |
| 97174 | 24" | 12" | 24" | 3200# | 5 |
| 97175 | 24" | 12" | 36" | 3200# | 5 |
| 97176 | 24" | 12" | 48" | 2700# | 5 |



Phone: 800-255-0104
 Fax: 877-877-7687
www.newageindustrial.com
sales@newageindustrial.com

New Age Industrial reserves the right to modify or make changes at any time without notice to materials and specifications.