



JOB:
ITEM:
QTY:



ROOM SERVICE CART

APPLICATION:

With this cart's pass through design, it is easy to transport trays. Whether it be unloading or loading this cart makes the job easy.

MATERIAL:

Uprights are constructed of 1"x2 1/2" x.125" wall channel, Top is constructed of .080" thick sheet, base is constructed of .125" thick sheet, and angle runners are 1 1/2"x1 5/8"x.125" wall.

CASTERS:

This cart comes equipped with four 6"x2" "softie" platform type casters. Two casters are rigid and two are swivel.



Model #97655

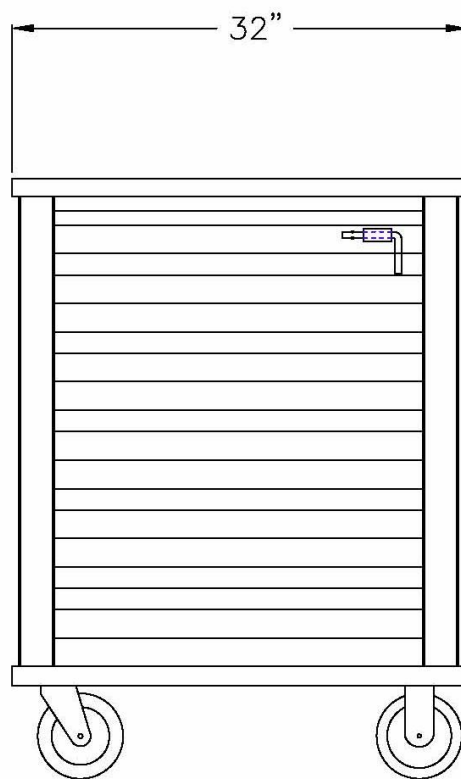
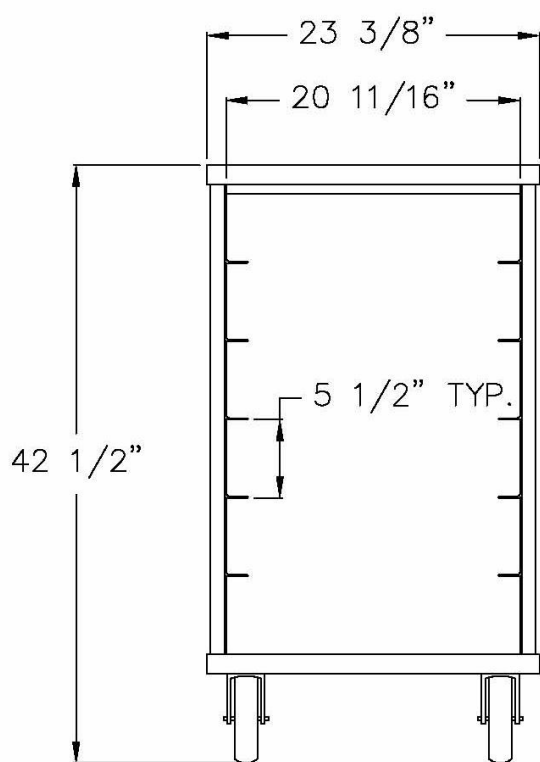
GUARANTEE:

These carts carry a **Lifetime Guarantee** against rust and corrosion and also carry a **Five-Year Guarantee** against material defects and workmanship.



Phone:800-255-0104
Fax: 877-877-7687
www.newageindustrial.com
sales@newageindustrial.com

New Age Industrial reserves the right to modify or make changes at any time without notice to materials and specifications.



Model #97655

Model No.	Size-W	Size-H	Size-D	Runner Spacing	Angle Runners
ROOM SERVICE CART WITH ALUMINUM DOORS					
97655	23 3/8"	42 1/2"	32"	5 1/2"	5 PAIR
ROOM SERVICE CART WITH CLEAR DOORS					
97655CD	23 3/8"	42 1/2"	32"	5 1/2"	5 PAIR



Phone: 800-255-0104
 Fax: 877-877-7687
www.newageindustrial.com
sales@newageindustrial.com

New Age Industrial reserves the right to modify or make changes at any time without notice to materials and specifications.