



JOB:  
ITEM:  
QTY:



## 98718-FLOUR SACK CART

### APPLICATION:

This cart was designed to transport 30"x18"x8"H flour sacks. Built to hold six sacks, this cart will move a lot of flour.

### MATERIAL:

Framework is constructed out of 1 1/2"x1 1/2"x.070" wall tubing. The base is covered with .125" aluminum sheet. The cart also comes standard with a perimeter bumper.

### CASTERS:

This cart comes equipped with four 6"x2" platform type swivel casters

### GUARANTEE:

This cart carries a **Lifetime Guarantee** against rust and corrosion and also carries a **Five-Year Guarantee** against workmanship and material defects.

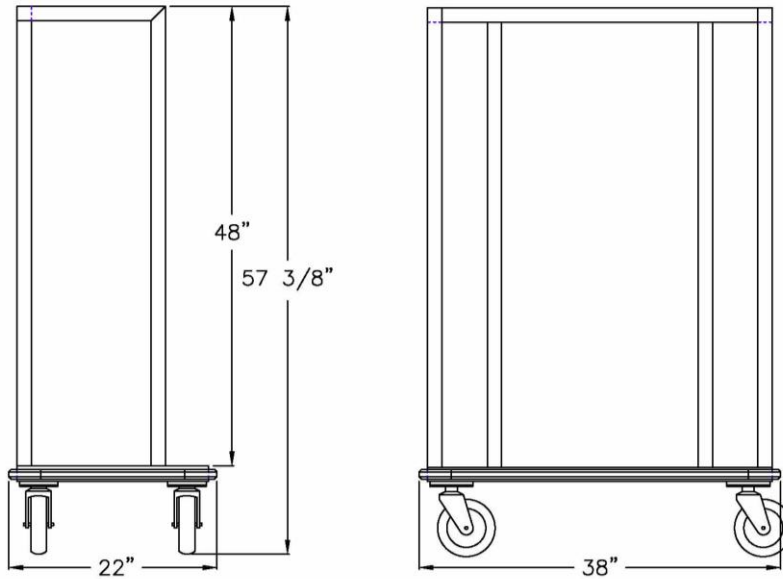
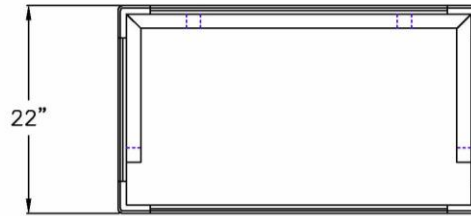


**Model #98718**



Phone: 800-255-0104  
Fax: 877-877-7687  
[www.newageindustrial.com](http://www.newageindustrial.com)  
[sales@newageindustrial.com](mailto:sales@newageindustrial.com)

New Age Industrial reserves the right to modify or make changes at any time without notice to materials and specifications.



**Model #98718**

Model No.	Size-W	Size-H	Size-D	No. Shelves
98718	38"	57 3/8"	22"	1



Phone: 800-255-0104  
 Fax: 877-877-7687  
[www.newageindustrial.com](http://www.newageindustrial.com)  
[sales@newageindustrial.com](mailto:sales@newageindustrial.com)

New Age Industrial reserves the right to modify or make changes at any time without notice to materials and specifications.