

Avenger® HT-E

Project _____
 Item _____
 Quantity _____
 CSI Section 11400 _____
 Approval _____
 Date _____

Avenger® HT-E

Models

Avenger® HT-E



Standard Features

- Automatic fill
- Sensor Touch™ start
- Built-in booster heater with Sani-Sure™ feature ensures proper sanitation
- Labyrinth type door design
- Automatic pumped drain for floor and wall drain installations
- Stainless steel wash pump
- Digital and electromechanical components
- Manual override for extended wash and delimiting
- Simplified controls allow easy access for operation and service
- Door switch
- One (1) each peg and combination rack included
- Built-in chemical pumps and priming switches

Mandatory Specs

Specify voltage _____

Options

- 1/2" Pressure Regulator
- Water Hammer Arrestor
- Back Panel
- Drain Quench System
- Scale Prevention System (SPS)
- Replacement Cartridge for SPS
- Tie Down

Accessories

- 36-Compartment Rack
 - 4-1/8" tall (105 mm)
 - 5-5/8" tall (143 mm)
 - 7" tall (178 mm)
- Combination Rack
- Peg Rack
- Machine Stand
 - 6" (152 mm) high
 - 18" (457 mm) high

Specifications

Uses 0.73 gallons (2.8 liters) of water per rack
 Uses 19.2 gallons (72 liters) of water per hour
 Cleans 26 racks per hour
 One minute, forty-seven second automatic cycle
 Powerful 1 hp wash pump motor
 Fresh water rinse eliminates wash water contamination
 Air insulated between body and stainless steel housing
 Durable stainless steel construction
 Unique timer allows the machine to be customized for extended cycle times

Notes:

A vent hood is not recommended above the Jackson Avenger® HT-E as it does not produce excessive vapors. *Always check with the local building code to know what type of ventilation is required for commercial dish machine installations in your area.*

Normal operation of the Avenger® HT-E generates steam that may escape from the door. Materials such as wood laminate, veneers, etc. are unsuitable for use in areas exposed to dishwasher steam and detergents. Stainless steel or other moisture-resistant shields are recommended for surfaces adjacent to Avenger® HT-E sides and top.



Intertek



Intertek





Warewashing Systems

Avenger® HT-E

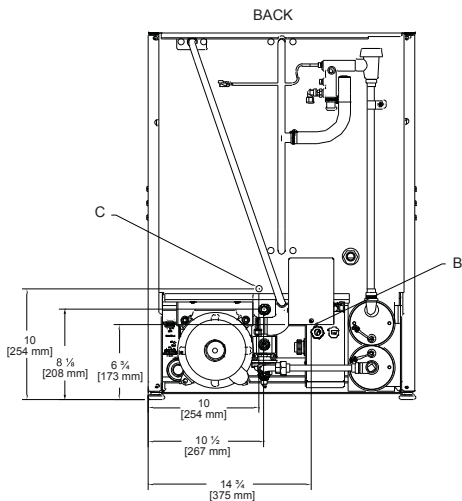
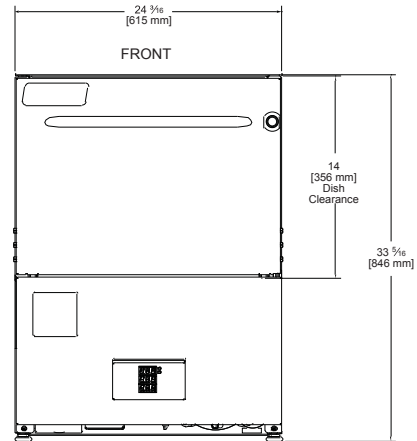
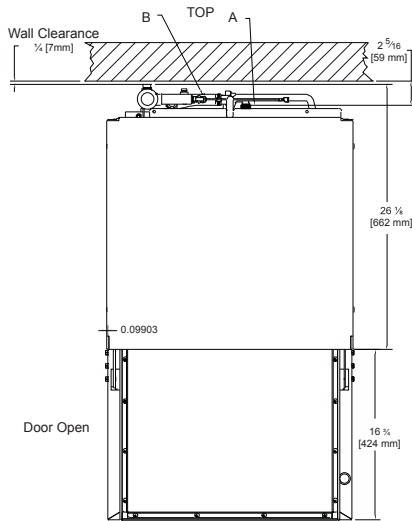
LEGEND:

A- Water Inlet - 1/2" Female Pipe thread,
2 1/2" AFF (Connect to a true 1/2" ID water line)

B- Electrical Connection

C- Drain Connection - 6' coiled drain hose.
Shipped inside machine. Must be installed
no more than 24" AFF

All dimensions from floor can be increased
1" with adjustable feet supplied.



MODEL NO.	MACHINE DIMENSIONS				WALL CLEARANCE	SHIPPING INFORMATION					
	INSIDE CLEARANCE HEIGHT	INSIDE CLEARANCE WIDTH	INSIDE CLEARANCE DEPTH	DOOR OPEN DEPTH		WEIGHT	CLASS	CUBE	HEIGHT	WIDTH	DEPTH
Avenger® HT-E	14-1/4" (368 mm)	20" (508 mm)	20" (508 mm)	42" (1067 mm)	1/4" (6 mm)	250 lbs (158 kg)	92.5	23.3 cu. ft.	42" (1067 mm)	33" (838 mm)	29" (737 mm)

APPROXIMATE TOTAL AMP LOADS	
208/60/1	38.4
230/60/1	41.4
480/60/3	11.3

OPERATING CAPACITY	
Racks per Hour	26
Dishes per Hour	650
Glasses per Hour	936

WASH PUMP MOTOR	
Wash Pump	1 hp

OPERATING CYCLE	
Wash Cycle (seconds)	75
Drain Time (seconds)	08
Rinse Cycle (seconds)	09
Total Cycle (seconds)	107

WATER REQUIREMENTS	
Incoming Water Temperature	110° F (43.3° C)
Gallons per Rack	0.73 gal (2.8 L)
Gallons per Hour	19.2 gal (72 L)
Flow Pressure (PSI)	10 - 15
Waterline Size (IPS)	1/2"
Drainline Size (OD)	1-3/8"

OPERATING TEMPERATURES	
Wash	155° F (68.3° C)
Rinse	180° F (82.2° C)

HOW TO SPECIFY: Avenger® HT-E

Jackson WWS, Inc.

Shipping Address: 6209 North U.S. Highway 25E, Gray, KY 40734
 Mailing Address: P.O. Box 1060, Barbourville, KY 40906
 Telephone: 888-800-5672 • Fax: 606-523-1799
 Email: info@jacksonwws.com
 07610-004-04-42 [01/05/16]

www.jacksonwws.com

We reserve the right to change specifications in this bulletin without incurring any obligation for equipment previously or subsequently sold.