

Project _____
 Item _____
 Quantity _____
 CSI Section 11400
 Approval _____
 Date _____

Models

FL-10



Standard Features

- Incoming water pressure regulator
- Internally mounted electric booster heater
 - Capable of minimum 60°F temperature rise for required 180°F minimum sanitizing rinse temperature
- Two (2) rotating wash arms - 1 upper & 1 lower
- Stationary rinse nozzles - top & bottom
- Electromechanical controls
 - Safety door switch
 - Temperature control thermostat and low water protection
- High pressure, all stainless steel wash arms
- 28-3/4" wide x 30" high door
- Double filtration system
- Externally mounted spray-down hose with spray gun nozzle
- Waterproof LED digital gauges
- Three wash cycles
- Stainless steel control panel is easily accessible
- Adjustable bullet feet
- Detergent/rinse additive signal connection fuse box

Mandatory Specs

- Specify:
- Electric
 - Steam
 - Gas
- Specify voltage _____

Options

- Single Phase
- Dual Pressure
- Variable Speed-Controlled Exhaust Fan
- Steam Coil Heated Rinse Tank

Accessories

- Utensil Basket with Hold-Down Lid
- Stainless Steel Bun/Sheet Pan Rack (10-pan capacity)
- Stainless Steel Cake/Hotel Pan Rack (10-pan capacity)

Specifications

Uses 6.5 gallons (25 L) of water per cycle

12 cycles per hour

Fully automatic timed cycles – 260 seconds, 380 seconds and 500 seconds

One (1) 9 kW heating element in a 8.5 gallon (32 L) rinse tank

30 gallon (114 L) wash tank

Durable 12 and 14 gauge stainless steel construction

Manufactured by LVO 



Intertek

SHIPPING ADDRESS

6209 North U.S. Highway 25E
 Gray, KY 40734

MAILING ADDRESS

P.O. Box 1060
 Barbourville, KY 40906

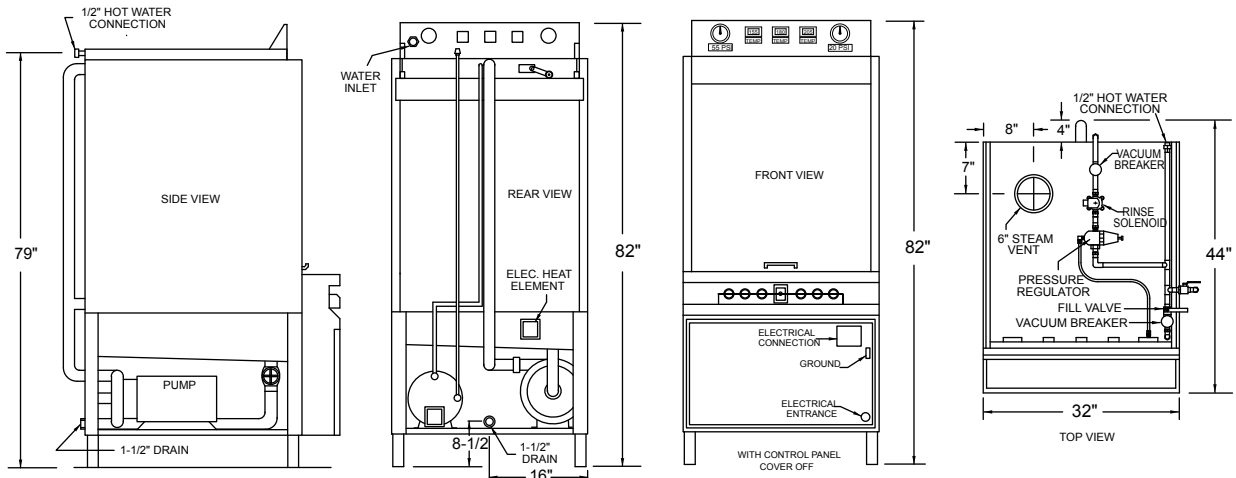
Tel: 1-888-800-5672

Fax: 606-523-1799

info@jacksonmsc.com

www.jacksonmsc.com





MODEL NO.	MACHINE DIMENSIONS				DRAIN HEIGHT	SHIPPING INFORMATION					
	HEIGHT	HEIGHT WITH DOOR OPEN	WIDTH	DEPTH		WEIGHT	CLASS	CUBE	HEIGHT	WIDTH	DEPTH
FL-10 Electric	82" (2083 mm)	103-1/2" (2629 mm)	32" (813 mm)	44" (1118 mm)	8-1/2" (216 mm)	950 lbs (431 kg)	92.5	147.07 cu. ft.	87" (2210 mm)	46" (1168 mm)	63-1/2" (1613 mm)
FL-10 Gas	84-1/2" (2146 mm)	106" (2692 mm)	32" (813 mm)	46" (1168 mm)	8-1/2" (216 mm)	950 lbs (431 kg)	92.5	147.07 cu. ft.	87" (2210 mm)	46" (1168 mm)	63-1/2" (1613 mm)

DIMENSION REQUIREMENTS	
Wall Clearance (minimum)	16" (406 mm)
Wall Clearance (control panel side)	36" (914 mm)
Wall Clearance (back)	12" (305 mm)
Height Requirement (with door open)	103-1/2" (2629 mm)
Height Requirement (with door open) - Gas	106" (2692 mm)
Inside Chamber Clearance	29-1/2" (749 mm)

GAS REQUIREMENTS			
Gas Connection (NPT)			1/2"
	Minimum Inlet	Main Manifold	BTUs
Natural Gas (inches-water column)	6.0"	3-1/2"	36,000
Propane (inches-water column)	11.0"	6.0"	36,000
3" stainless steel chimney on back of machine			

OPERATING CAPACITY				
Cycles Per Hour	Light 12	Medium 8	Heavy 6	
OPERATING CYCLE (seconds)	Wash	Rinse	Dwell	Total Cycle
Light	180	60	20	260
Medium	300	60	20	380
Heavy	420	60	20	500

STEAM REQUIREMENTS	
Steam Connection (NPT)	1/2"
Injectors (lbs per hour)	15
Coils (lbs per hour)	33

OPERATING TEMPERATURES	
Wash (minimum)	150° F (66° C)
Rinse (minimum)	180° F (82° C)

WATER REQUIREMENTS	
Inlet Temperature (minimum)	140° F (60° C)
Gallons Per Hour	78 gal (295 L)
Gallons Per Cycle	6.5 gal (25 L)
Waterline Size IPS (minimum)	1/2"
Drainline Size IPS (minimum)	1-1/2"
Flow Pressure (PSI)	15-25
Wash Tank Capacity	30 gal (114 L)
Rinse Tank Capacity	8.5 gal (32 L)

ELECTRICAL RATING			
FULL LOAD AMPS	208V	230V	460V
Electric	71.0	65.2	33.6
Steam Injectors	46.0	42.6	22.3
Steam Coils	22.0	20.0	11.0
Gas	46.0	42.6	22.3

WASH PUMP MOTOR	
Wash Pump Motor	7.5 hp

HOW TO SPECIFY: FL-10

SHIPPING ADDRESS
6209 North U.S. Highway 25E
Gray, KY 40734

MAILING ADDRESS
P.O. Box 1060
Barbourville, KY 40906

Tel: 1-888-800-5672
Fax: 606-523-1799
info@jacksonmsc.com

www.jacksonmsc.com
07610-002-98-00 (03/10)

