



TempStar® HH

Project _____
 Item _____
 Quantity _____
 CSI Section 11400
 Approval _____
 Date _____

TempStar® HH

Models

TempStar® HH



Standard Features

- Sani-Sure™ feature assures proper rinse water temperature
- Multi-cycle timer (Extra Heavy, Heavy, Medium, Normal)
- Extended 15sec. high-temperature rinse provides superior coverage and rapid drying
- 20-3/4" wide X 27" high (527mm X 686mm) opening accommodates 18" X 26" (457mm X 660mm) sheet pans and 60-quart mixing bowls
- Auto-fill / auto-start
- Safety door switch
- Delime/manual wash switch
- Low watt density electric wash tank heater
- Hi-limit thermostat and low water protection
- Adjustable bullet feet
- Uses standard 20" X 20" (508 mm X 508 mm) racks
- Front dress panel
- Detergent/rinse additive signal connection fuse box
- Built-in 70° F (21° C) rise booster heater is standard; 40° F (4° C) rise booster heater is available but must be specified at time of order
- Lower counter-rotating wash arms and upper wash arm provide optimum spray coverage and superior cleaning action
- Self-draining stainless steel pump
- Split-door design accommodates installations with low ceiling heights
- Large scrap tray

Mandatory Specs

- Specify:
- Electric
 - Steam
- Specify voltage _____
- Specify booster size _____

Options

- Optional 40° F (4° C) rise booster heater is available at no additional cost (must be specified)
- Drain Quench System
- Scaltrol
- Flanged Feet
- Water Hammer Arrestor
- 480V
- Single Phase
- Security Package
- False Panel
- Safety Door Interlock
- Steam Booster Heater

Accessories

- 36-Compartment Rack
 - 4-1/8" tall (105 mm)
 - 5-5/8" tall (143 mm)
 - 7" tall (178 mm)
- Combination Rack
- Peg Rack
- Sheet Pan Rack - for 18" X 26" (457mm X 660mm) baking pans

Specifications

Uses 1.36 gallons (5 liters) of 180°F (82°C) water per rack

Total automatic (normal) cycle - 62 seconds

53 racks per hour (normal) cycle

2 HP Wash Pump Motor

Single point connections for all utilities

Built-in water pressure regulator and gauge

Field convertible from straight through to corner and vice versa

Heavy duty stainless steel construction



SHIPPING ADDRESS

6209 North U.S. Highway 25E
Gray, KY 40734

MAILING ADDRESS

P.O. Box 1060
Barbourville, KY 40906

Tel: 1-888-800-5672

Fax: 606-523-1799

info@jacksonmsc.com

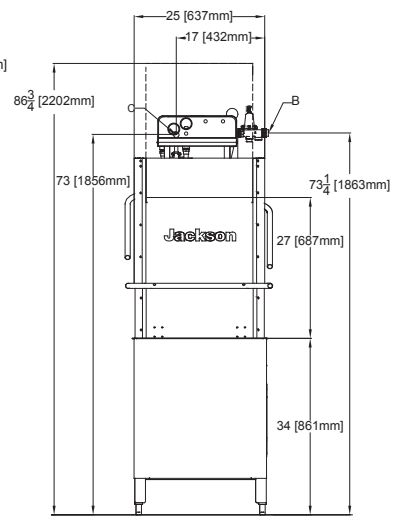
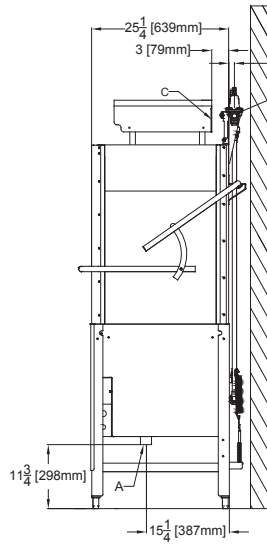
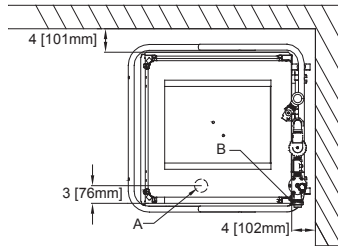
www.jacksonmsc.com



LEGEND

- A - DRAIN 1 1/2" IPS
- B - WATER INLET 3/4" IPS
- C - ELECTRICAL CONNECTION

All vertical dimensions are +/- 1/2" due to adjustable bullet feet.



MODEL NO.	MACHINE DIMENSIONS			DRAIN HEIGHT	SHIPPING INFORMATION					
	HEIGHT	WIDTH	DEPTH		WEIGHT	CLASS	CUBE	HEIGHT	WIDTH	DEPTH
TempStar® HH	76-3/4" (1949 mm)	25-1/4" (641 mm)	25-1/4" (641 mm)	11-3/4" (298 mm)	420 lbs (191 kg)	92.5	73.9 cu. ft.	79" (2007 mm)	33" (838 mm)	49" (1245 mm)

DIMENSION REQUIREMENTS	
Minimum Ceiling Height (recommended)	88" (2 meters)
Wall Clearance (minimum)	4" (102 mm)
Standard Table Height	34" (864 mm)
Inside Clearance	27" (686 mm)

STEAM REQUIREMENTS	
Steam Flow Pressure (PSIG)	15-20
Consumption @ 15 PSIG (lbs/hr)	45

OPERATING CAPACITY				
Racks per Hour	Normal 53	Medium 28	Heavy 19	Extra Heavy 11
OPERATING CYCLE (seconds)	Wash	Rinse	Dwell	Total Cycle
Normal	45	15	2	62
Medium	103	15	2	120
Heavy	163	15	2	180
Extra Heavy	283	15	2	300

WATER REQUIREMENTS	
Inlet Temperature	
40°F (4°C) Rise	140°F (82°C)
70°F (21°C) Rise	110°F (60°C)
Gallons per Hour	72.1 gal (273 L)
Gallons per Rack	1.36 gal (5 L)
Waterline Size IPS (minimum)	3/4"
Drainline Size IPS (minimum)	1- 1/2"
Flow Pressure (PSI)	15-25
Tank Capacity	3 gal (11 L)
Wash Tank Capacity	8 gal (30 L)
Booster Tank Capacity	3 gal (11 L)

OPERATING TEMPERATURES	
Wash (minimum)	150° F (66° C)
Rinse (minimum)	180° F (82° C)

APPROXIMATE LOAD AMPS		
	40°F (4°C) Rise	70°F (21°C) Rise
Power Supply	AMPS	AMPS
208V/60HZ/1PH	74.2	81.4
208V/60HZ/3PH	47.6	51.8
230V/60HZ/1PH	80.9	89.0
230V/60HZ/3PH	51.4	56.2
460V/60HZ/3PH	23.4	25.8

WASH PUMP MOTOR		
Wash Pump Motor Horsepower		2 HP
	Volts	KW
Electric Wash Tank Heater	208V	4.1
	230V	5.0
	460V	5.0
Electric Rinse Tank Heater - 40°F (4°C) Rise	208V	9.0
	230V	11.0
	460V	11.0
Electric Rinse Tank Heater - 70°F (21°C) Rise	208V	10.5
	230V	12.9
	460V	12.9

HOW TO SPECIFY: TempStar® HH

SHIPPING ADDRESS
6209 North U.S. Highway 25E
Gray, KY 40734

MAILING ADDRESS
P.O. Box 1060
Barbourville, KY 40906

Tel: 1-888-800-5672
Fax: 606-523-1799
info@jacksonmsc.com

www.jacksonmsc.com
07610-002-66-60B (02/10)

