

AXIS

The shape of good taste
Innovative Convection Ovens





AX-413

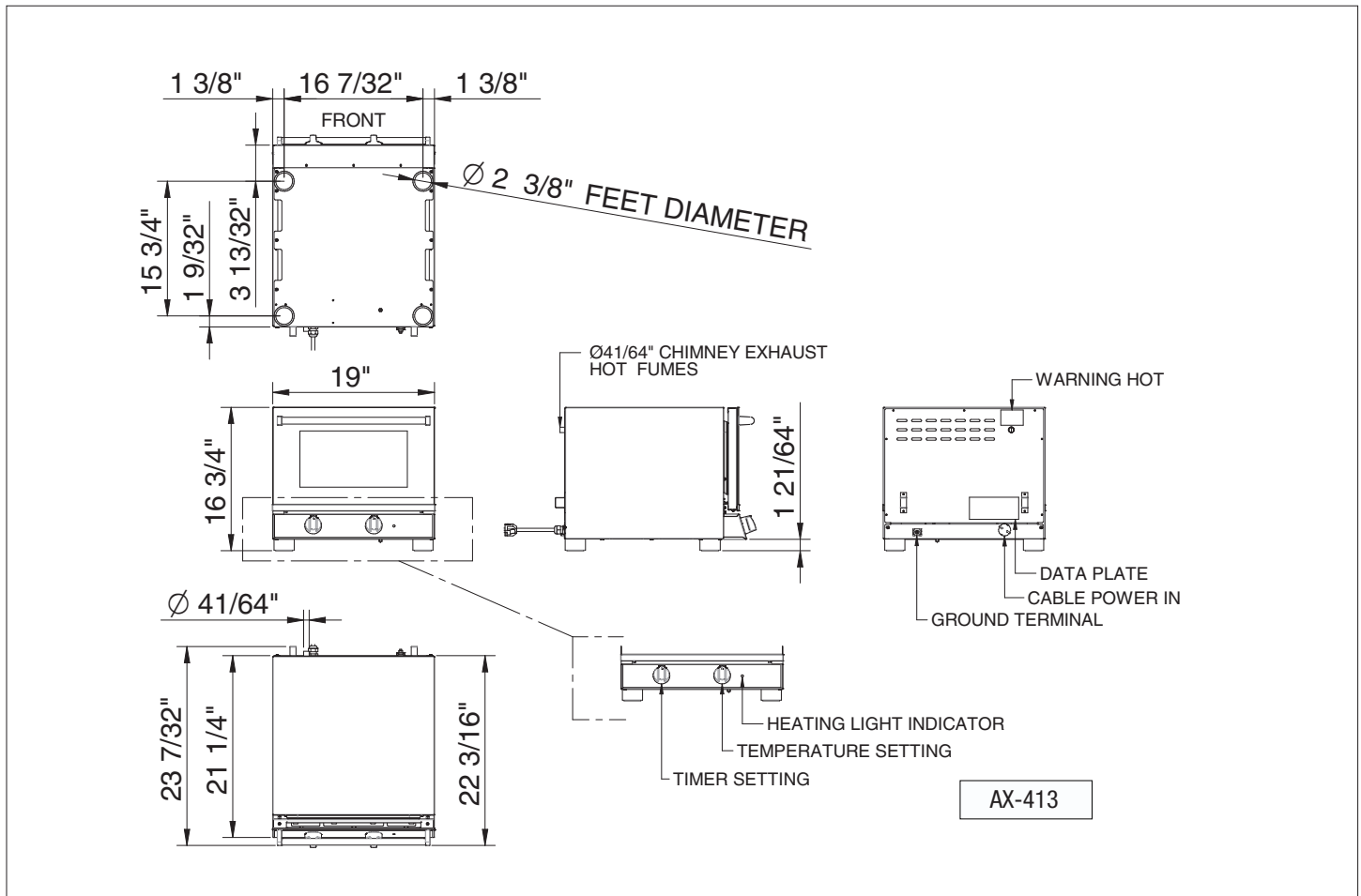
Quarter Size Convection oven with manual controls – 3 shelves

Specifications :

Manual Control knobs	time, temperature
Load capacity	3 shelves Quarter Size pans
Fan(s)	1
Space between trays	2.95"
Power / Voltage	1400 Watts / 110 V / 60 Hz Single Phase / Nema 5-15 plug
Temperature	120° - 510°F
Equipped with	0-120 minute timer - signal at end of cycle
Dimension of cooking chamber	14.72" x 8.78" x 14.06" (WxHxD) - 1.05 Cubic Feet
Shipping dimensions	21.67" x 18.91" x 25.61"
Net / Ship Weight	46 lbs / 50 lbs

Features :

- Manual controls
- Optimal airflow system
- High temperature motor bearings
- Heavy duty stainless steel body construction
- Safety "Cold door" design with double wall glass
- Reinforced door hinges
- Oven door can support a weight limit of 80 lbs
- Oven cavity is insulated with ultra-high temperature fibreglass insulation
- Two Year Limited Warranty



AX-413



AX-513

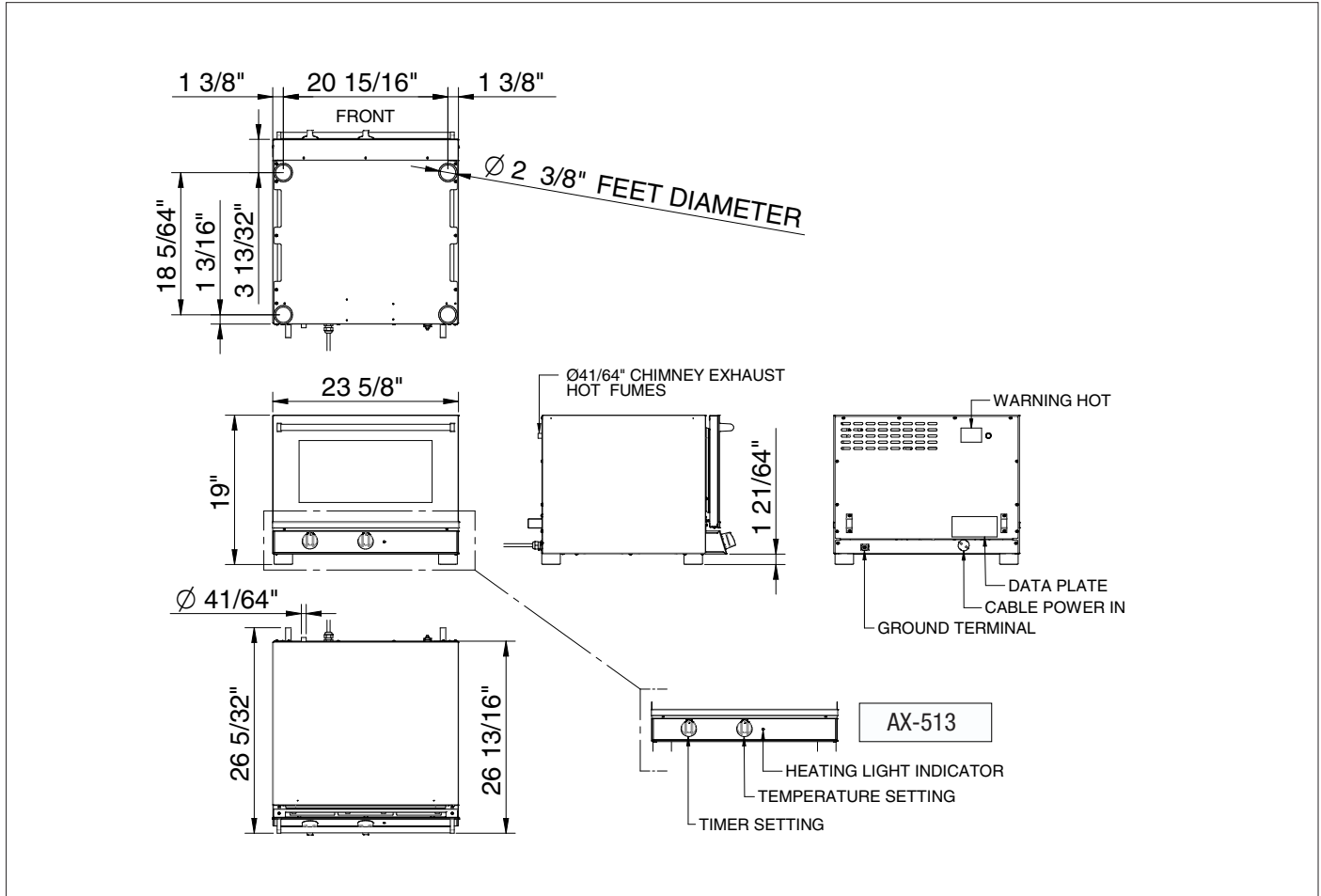
Half Size Convection oven with manual controls – 3 shelves

Specifications :

Manual Control knobs	time, temperature
Load capacity	3 shelves Half Size pans
Fan(s)	1
Space between trays	2.95"
Power / Voltage	1400 Watts / 110 V / 60 Hz Single Phase / Nema 5-15 plug
Temperature	120 ° - 510 °F
Equipped with	0-120 minute timer - signal at end of cycle
Dimension of cooking chamber	19.45 x 11.03 x 16.25 (WxHxD) - 2.02 Cubic Feet
Shipping dimensions	26.4" x 27.19" x 21.67"
Net / Ship Weight	64 lbs / 68 lbs

Features :

- Manual controls
- Optimal airflow system
- High temperature motor bearings
- Heavy duty stainless steel body construction
- Safety "Cold door" design with double wall glass
- Reinforced door hinges
- Oven door can support a weight limit of 80 lbs
- Oven cavity is insulated with ultra-high temperature fibreglass insulation
- Two Year Limited Warranty





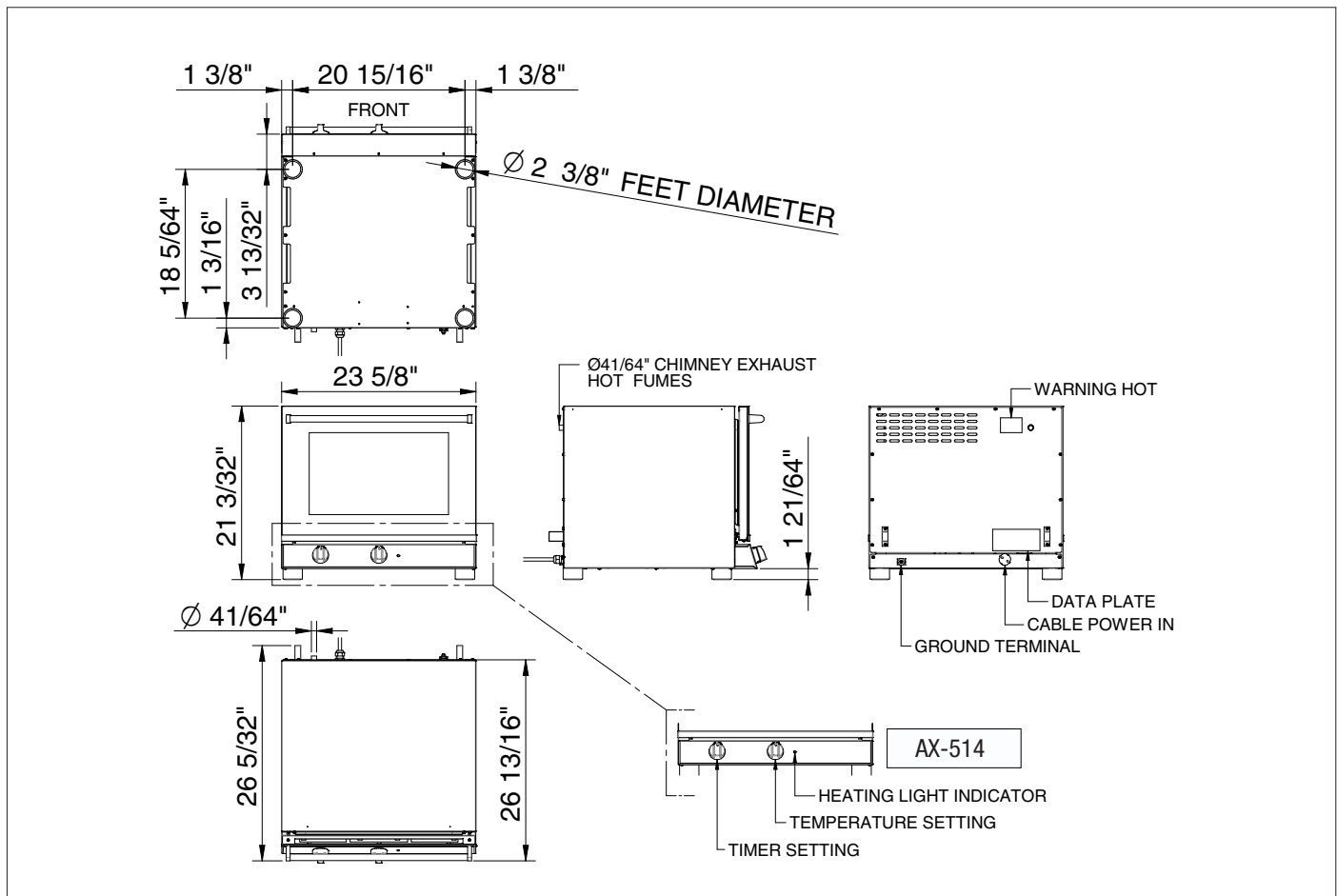
AX-514
Half Size Convection oven with manual controls – 4 shelves

Specifications :

Manual Control knobs	time, temperature
Load capacity	4 shelves Half Size pans
Fan(s)	1
Space between trays	2.95"
Power / Voltage	2500 Watts / 208-240 V 60 Hz / Single Phase / Nema 6-15P
Temperature	120 ° - 510 °F
Equipped with	0-120 minute timer - signal at end of cycle
Dimension of cooking chamber	19.45 x 13.11 x 16.25 (WxHxD) - 2.40 Cubic Feet
Shipping dimensions	26.4" x 27.19" x 21.67"
Net / Ship Weight	67 lbs / 71 lbs

Features :

- Manual controls
- Optimal airflow system
- High temperature motor bearings
- Heavy duty stainless steel body construction
- Safety "Cold door" design with double wall glass
- Reinforced door hinges
- Oven door can support a weight limit of 80 lbs
- Oven cavity is insulated with ultra-high temperature fibreglass insulation
- Two Year Limited Warranty





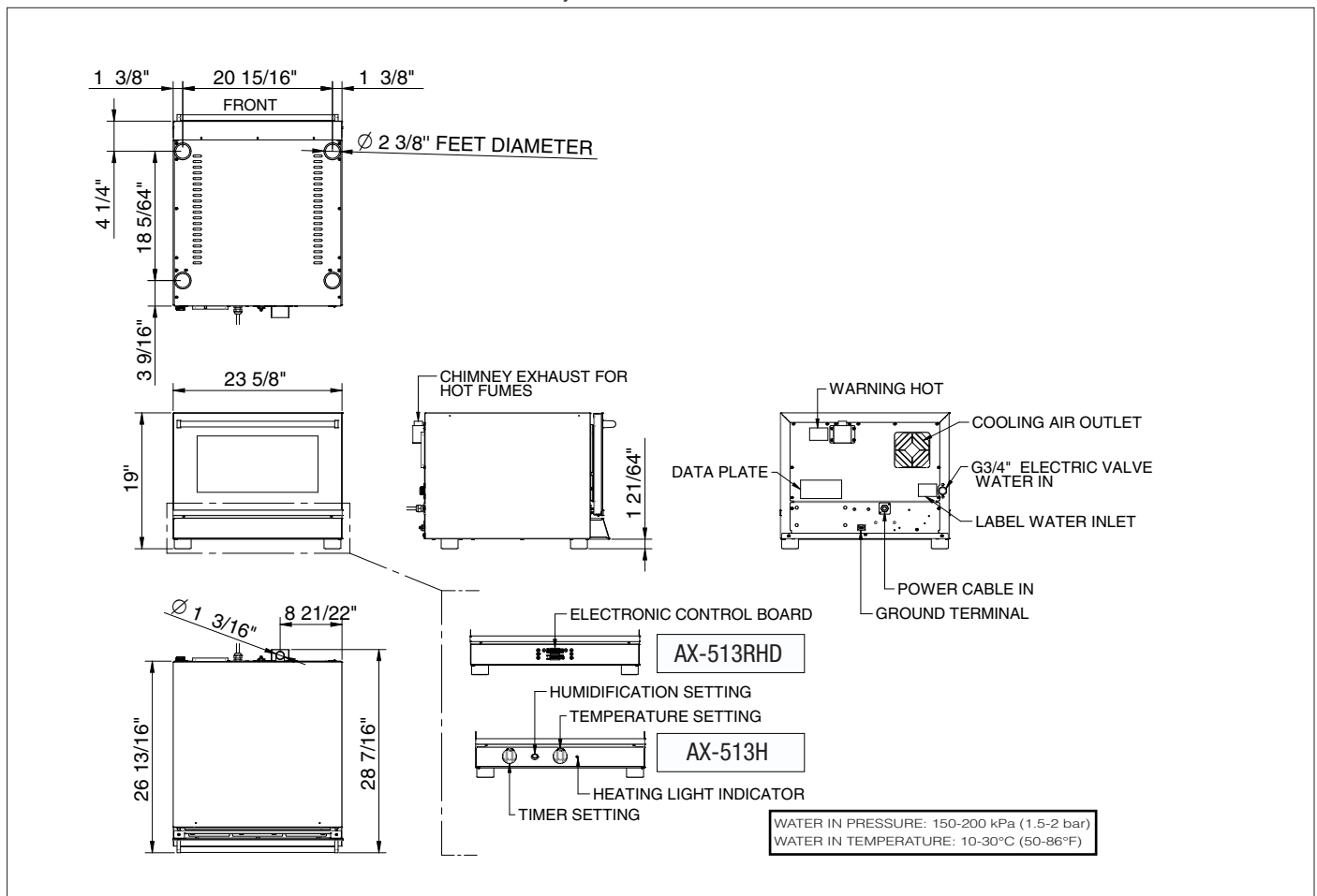
AX-513H Half Size Convection Oven with Humidity manual controls – 3 shelves

Specifications :

Manual Control knobs	time, temperature, humidity
Load capacity	3 shelves Half Size pans
Fan(s) High Speed	1
Space between trays	2.95"
Power / Voltage	1700 Watts / 110 V / 60 Hz Single Phase / Nema 5-15P
Temperature	120 ° - 510 °F
Equipped with	0-120 minute timer - signal at end of cycle
Dimension of cooking chamber	19.45 x 11.03 x 16.25 (WxHxD) - 2.02 Cubic Feet
Shipping dimensions	29.16" x 31.91" x 29.94"
Net / Ship Weight	85 lbs / 111 lbs

Features :

- Optimal airflow system
- Manual controls
- High temperature motor bearings
- High speed fan
- Interior halogen light
- Includes electro valve for direct water connection
- Heavy duty stainless steel body construction
- Safety "Cold door" design with double wall glass
- Micro safety switch shuts oven off when door is open
- Reinforced door hinges
- Oven door can support a weight limit of 80 lbs
- Oven cavity is insulated with ultra-high temperature fibreglass insulation
- Dimensions are suitable to accommodate modular stacking for customized cooking set
- Two Year Limited Warranty





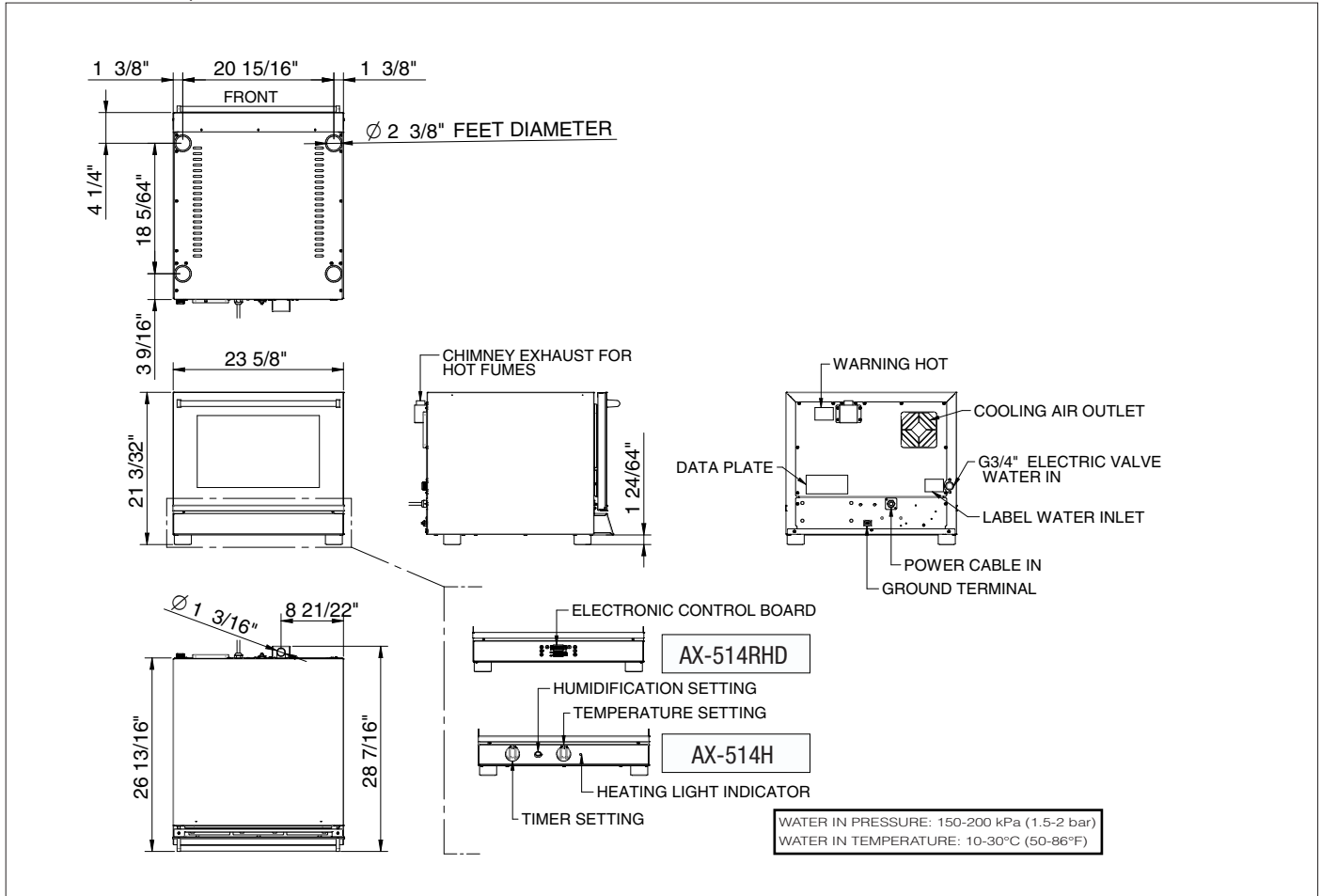
AX-514H Half Size Convection Oven with Humidity manual controls – 4 shelves

Specifications :

Manual Control knobs	time, temperature, humidity
Load capacity	4 shelves Half Size pans
Fan(s) High Speed	1
Space between trays	2.95"
Power / Voltage	2800 Watts / 208-240 V / 60 Hz / Single Phase / Nema 6-15P
Temperature	120 ° - 510 °F
Equipped with	0-120 minute timer - signal at end of cycle
Dimension of cooking chamber	19.45 x 13.11 x 16.25 (WxHxD) - 2.40 Cubic Feet
Shipping dimensions	29.16" x 31.91" x 29.94"
Net / Ship Weight	88 lbs / 113 lbs

Features :

- Optimal airflow system
- Manual controls
- High temperature motor bearings
- High speed fan
- Interior halogen light
- Includes electro valve for direct water connection
- Heavy duty stainless steel body construction
- Micro safety switch shuts oven off when door is open
- Safety "Cold door" design with double wall glass
- Reinforced door hinges
- Oven door can support a weight limit of 80 lbs
- Oven cavity is insulated with ultra-high temperature fibreglass insulation
- Dimensions are suitable to accommodate modular stacking for customized cooking set
- Two Year Limited Warranty





AX-513RHD

Half Size Digital Convection Oven with Humidity

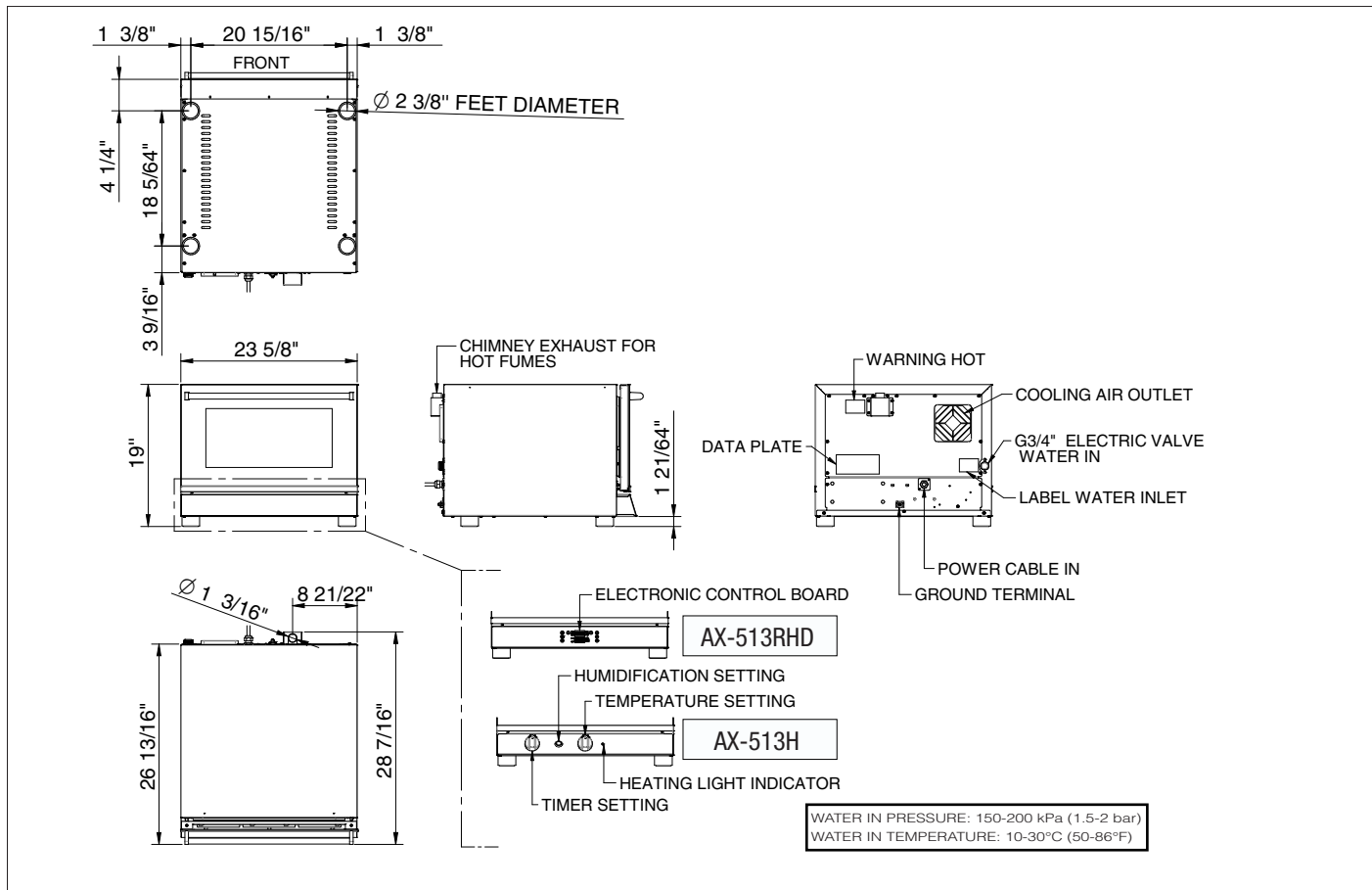
3 shelves

Specifications :

Programmable controls	time, temperature , humidity, 3 cooking cycles for each program
Load capacity	3 shelves Half Size pans
Fan(s) High Speed with reversing gear	1
Space between trays	2.95"
Power / Voltage	1700 Watts / 110 V / 60 Hz Single Phase / Nema 5-15P
Temperature	86 ° - 500 °F
Equipped with	16 hour timer - signal at end of cycle
Dimension of cooking chamber	19.45 x 11.03 x 16.25 (WxHxD) - 2.02 Cubic Feet
Shipping dimensions	29.16" x 31.91" x 29.94"
Net / Ship Weight	85 lbs / 111 lbs

Features :

- Optimal airflow system
- Automatically reversing gear
- Digital programmable controls / 99 programs / pre-heating / 3 cooking cycle for each program
- High temperature motor bearings
- High speed fan
- Interior halogen light
- Includes electro valve for direct water connection
- Micro safety switch shuts oven off when door is open
- Heavy duty stainless steel body construction
- Safety "Cold door" design with double wall glass
- Reinforced door hinges
- Oven door can support a weight limit of 80 lbs
- Oven cavity is insulated with ultra-high temperature fibreglass insulation
- Dimensions are suitable to accomodate modular stacking for customized cooking set
- Two Year Limited Warranty





AX-514RHD

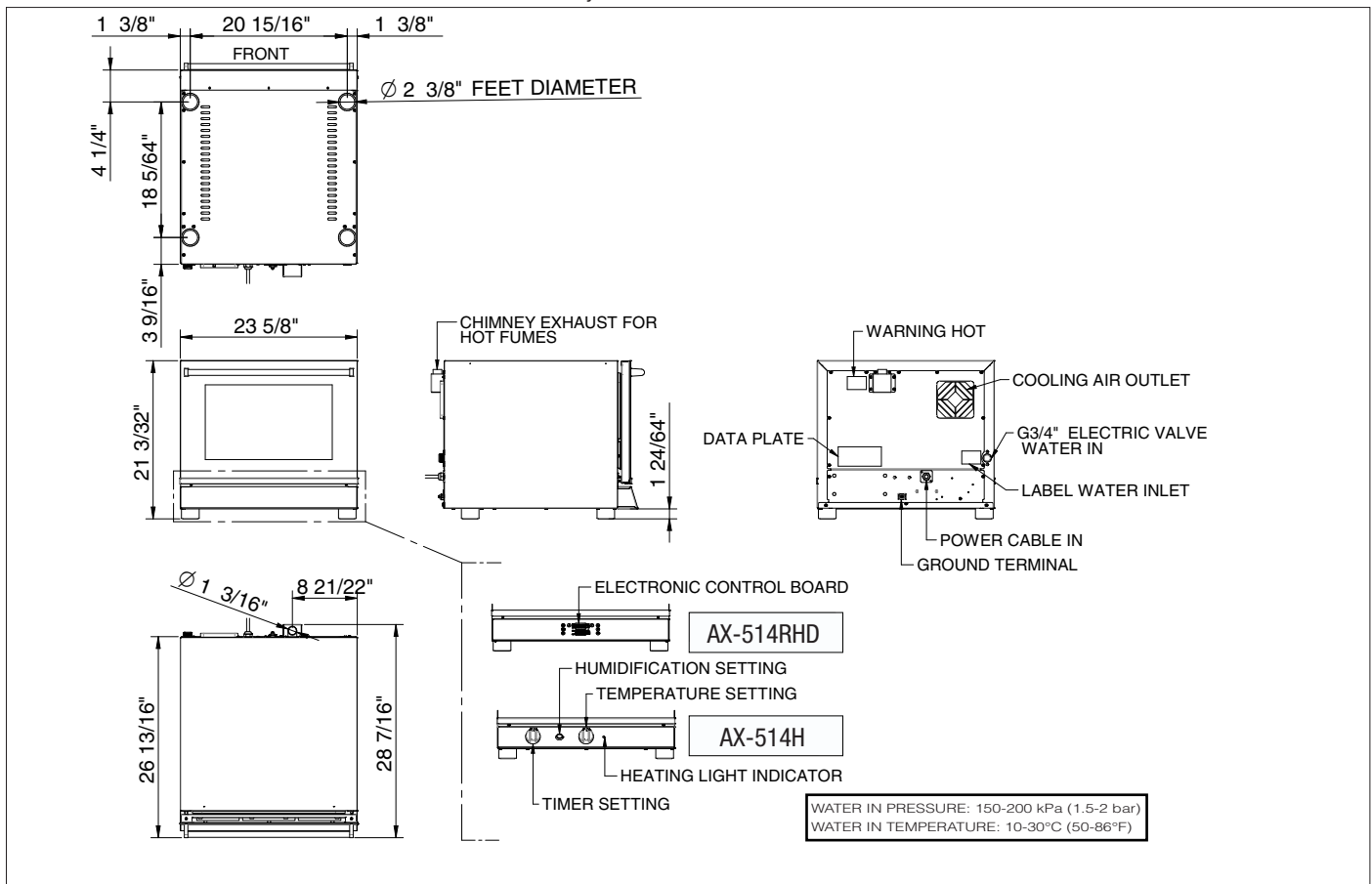
Half Size Digital Convection Oven with Humidity 4 shelves

Specifications :

Programmable controls	time, temperature , humidity, 3 cooking cycles for each program
Load capacity	4 shelves Half Size pans
Fan(s) High Speed with reversing gear	1
Space between trays	2.95"
Power / Voltage	2800 Watts / 208-240 V / 60 Hz / Single Phase / Nema 6-15P
Temperature	86 ° - 500 °F
Equipped with	16 hour timer - signal at end of cycle
Dimension of cooking chamber	19.45 x 13.11 x 16.25 (WxHxD) - 2.40 Cubic Feet
Shipping dimensions	29.16" x 31.91" x 29.94"
Net / Ship Weight	88 lbs / 113 lbs

Features :

- Optimal airflow system
- Automatically reversing gear
- Digital programmable controls / 99 programs / pre-heating / 3 cooking cycle for each program
- High temperature motor bearings
- High speed fan
- Interior halogen light
- Includes electro valve for direct water connection
- Micro safety switch shuts oven off when door is open
- Heavy duty stainless steel body construction
- Safety "Cold door" design with double wall glass
- Reinforced door hinges
- Oven door can support a weight limit of 80 lbs
- Oven cavity is insulated with ultra-high temperature fibreglass insulation
- Dimensions are suitable to accomodate modular stacking for customized cooking set
- Two Year Limited Warranty





AX-824H

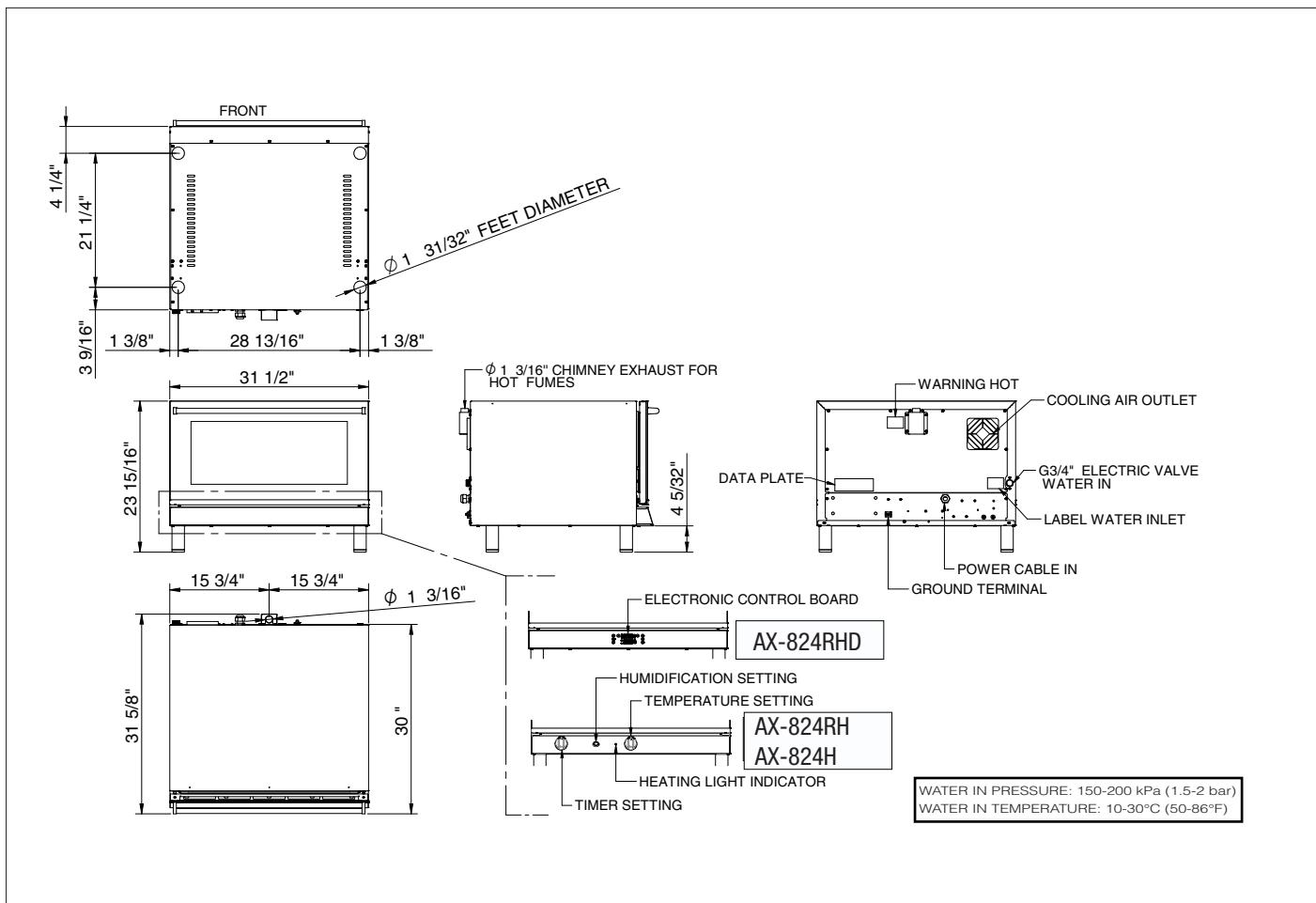
Full Size Convection Oven with Humidity manual controls – 4 shelves

Specifications :

Manual Control knobs	time, temperature, humidity
Load capacity	4 shelves Full Size pans
Fan(s)	2
Space between trays	2.95"
Power / Voltage	3900 Watts / 208-240 V / 60 Hz / Single Phase Oven supplied with power cord only / no plug
Temperature	120 ° - 510 °F
Equipped with	0-120 minute timer - signal at end of cycle
Dimension of cooking chamber	27.33 x 13.11 x 19.38 (WxHxD) - 4.03 Cubic Feet
Shipping dimensions	35.46" x 33.1" x 29.16"
Net / Ship Weight	94 lbs / 122 lbs

Features :

- Manual controls
- Optimal airflow system
- High temperature motor bearings
- Interior halogen light
- Includes electro valve for direct water connection
- Heavy duty stainless steel body construction
- Safety "Cold door" design with double wall glass
- Reinforced door hinges
- Oven door can support a weight limit of 80 lbs
- Oven cavity is insulated with ultra-high temperature fibreglass insulation
- Dimensions are suitable to accommodate modular stacking for customized cooking set
- Two Year Limited Warranty





AX-813RH

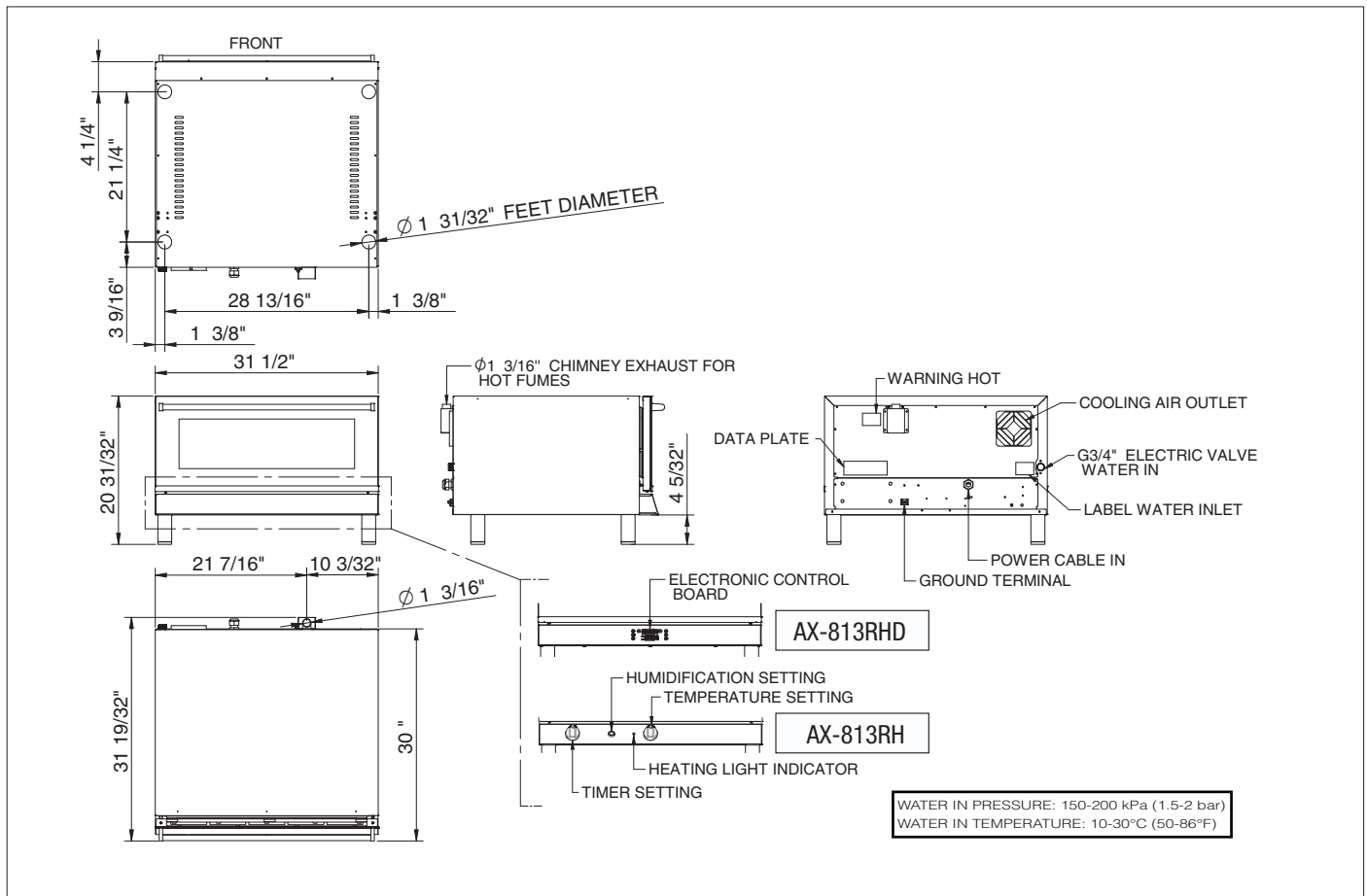
Full Size Convection Oven with Humidity
Inverter system - manual controls – 3 shelves

Specifications :

Manual Control knobs	time, temperature, humidity
Load capacity	3 shelves Full Size pans
Fan(s) High Speed with reversing gear	1
Space between trays	2.95"
Power / Voltage	4300 Watts / 208-240 V 60 Hz / Single Phase Oven supplied with power cord only / no plug
Temperature	120 ° - 510 °F
Equipped with	0-120 minute timer - signal at end of cycle
Dimension of cooking chamber	27.33 x 10.16 x 18.73 (WxHxD) - 3 Cubic Feet
Shipping dimensions	35.46" x 35.46" 28.37"
Net / Ship Weight	126 lbs / 154 lbs

Features :

- Automatically reversing gear
- Manual controls
- Optimal airflow system
- High temperature motor bearings
- High speed fan
- Interior halogen light
- Micro safety switch shuts oven off when door is open
- Includes electro valve for direct water connection
- Heavy duty stainless steel body construction
- Safety "Cold door" design with double wall glass
- Reinforced door hinges
- Oven door can support a weight limit of 80 lbs
- Oven cavity is insulated with ultra-high temperature fibreglass insulation
- Dimensions are suitable to accommodate modular stacking for customized cooking set
- Two Year Limited Warranty





AX-824RH

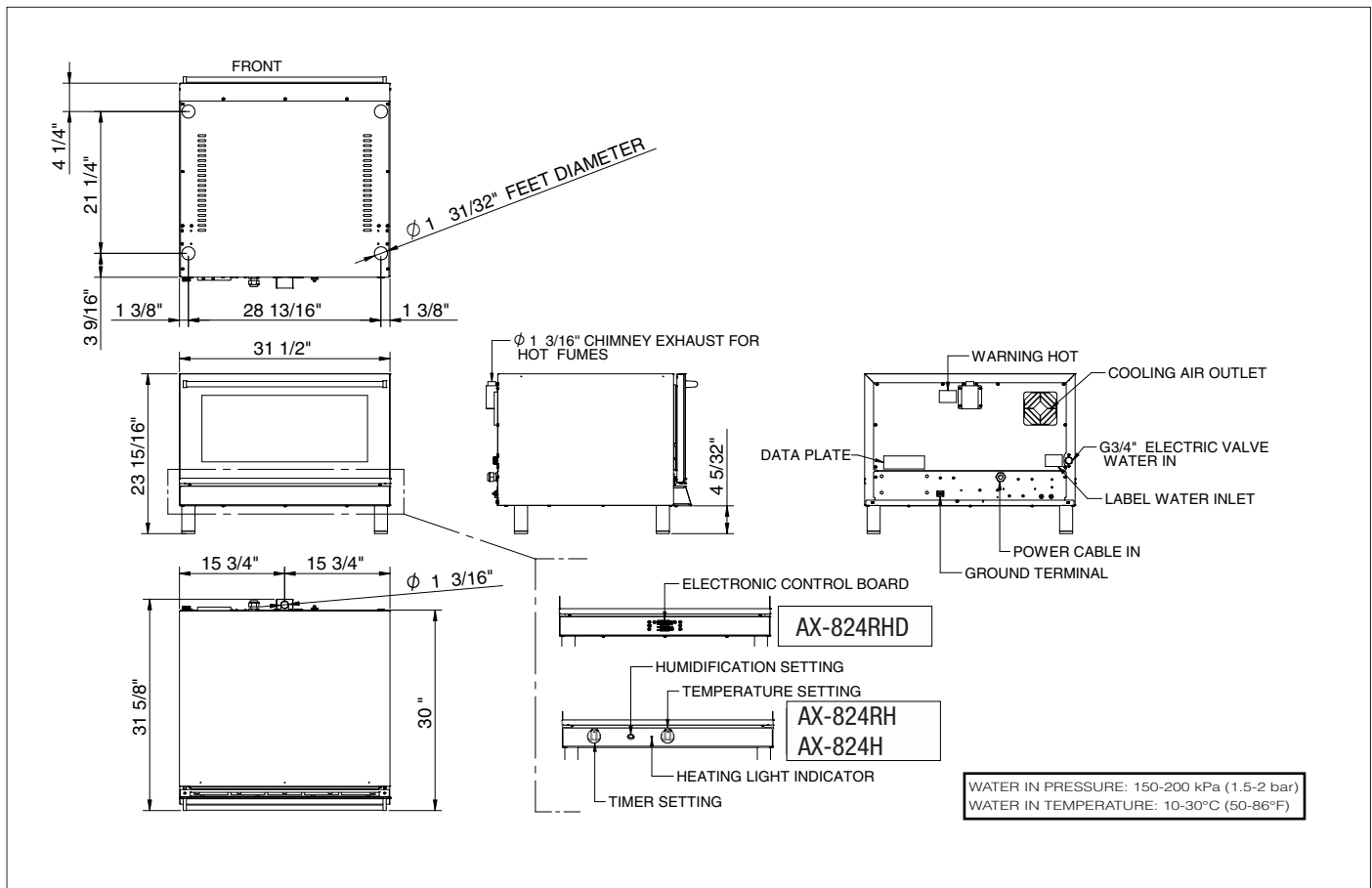
Full Size Convection Oven with Humidity
Inverter system - manual controls – 4 shelves

Specifications :

Manual Control knobs	time, temperature, humidity
Load capacity	4 shelves Full Size pans
Fan(s) High Speed with reversing gear	2
Space between trays	2.95"
Power / Voltage	5700 Watts / 208-240 V 60 Hz / Single Phase Oven supplied with power cord only / no plug
Temperature	120 ° - 510 °F
Equipped with	0-120 minute timer - signal at end of cycle
Dimension of cooking chamber	27.33 x 13.11 x 18.73 (WxHxD) - 3,85 Cubic Feet
Shipping dimensions	35.46" x 35.46" x 28.37"
Net / Ship Weight	126 lbs / 154 lbs

Features :

- Automatically reversing gear
- Manual controls
- Optimal airflow system
- High temperature motor bearings
- High speed fan
- Interior halogen light
- Micro safety switch shuts oven off when door is open
- Includes electro valve for direct water connection
- Heavy duty stainless steel body construction
- Safety "Cold door" design with double wall glass
- Reinforced door hinges
- Oven door can support a weight limit of 80 lbs.
- Oven cavity is insulated with ultra-high temperature fibreglass insulation
- Dimensions are suitable to accommodate modular stacking for customized cooking set
- Two Year Limited Warranty





AX-813RHD

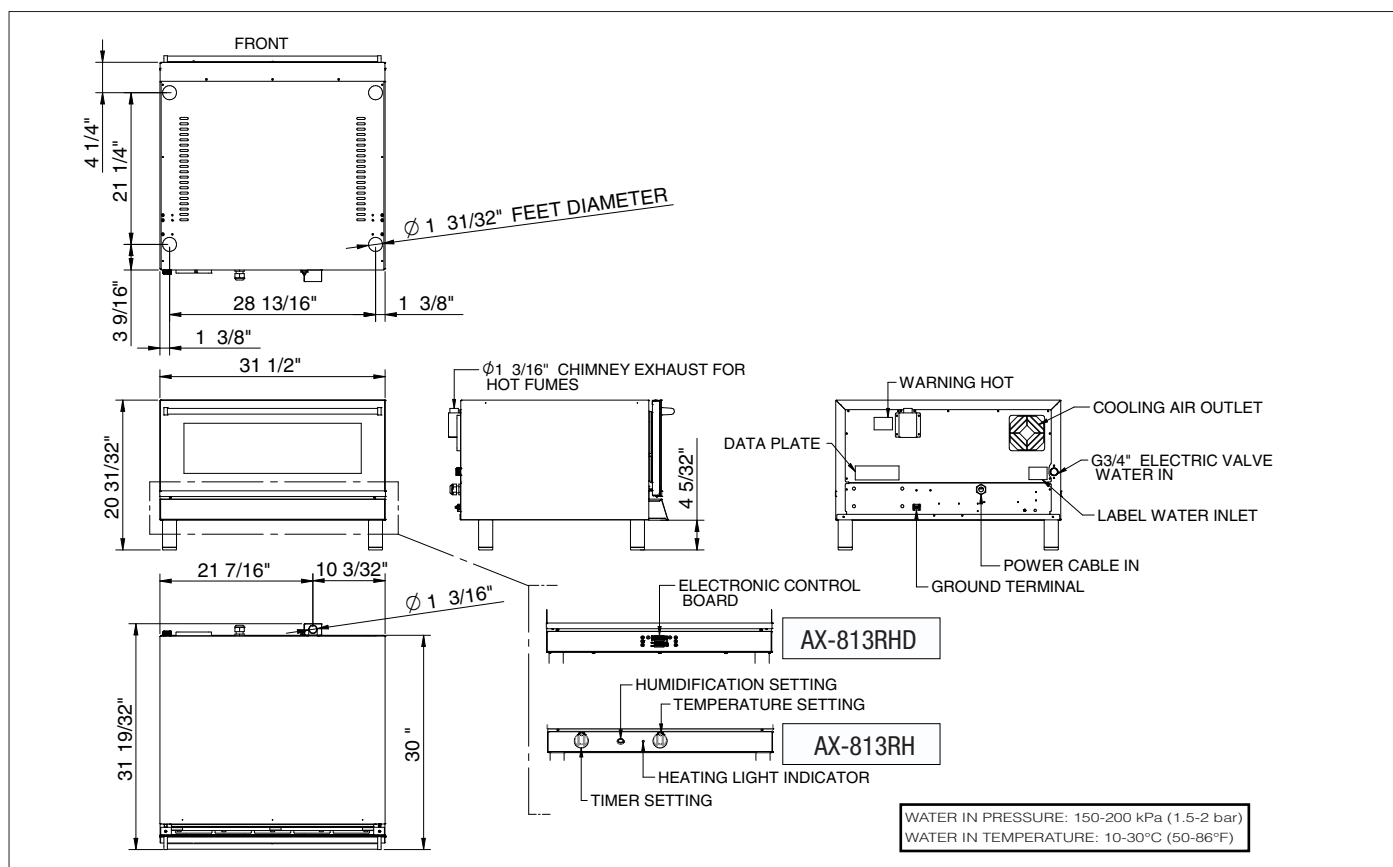
Full Size Digital Convection Oven with Humidity Inverter system - 3 shelves

Specifications :

Programmable controls	time, temperature, humidity, 3 cooking cycles for each program
Load capacity	3 shelves Full Size pans
Fan(s) High Speed with reversing gear	1
Space between trays	2.95"
Power / Voltage	4300 Watts / 208-240 V 60 Hz / Single Phase Oven supplied with power cord only / no plug
Temperature	86 ° - 500 °F
Equipped with	16 hour timer - signal at end of cycle
Dimension of cooking chamber	27.33 x 10.16 x 18.73 (WxHxD) - 3 Cubic Feet
Shipping dimensions	35.46" x 35.46" x 28.37"
Net / Ship Weight	126 lbs / 154 lbs

Features :

- Automatically reversing gear
- Optimal airflow system
- Digital programmable controls / 99 programs / pre-heating / 3 cooking cycle for each program
- High temperature motor bearings
- High speed fan
- Interior halogen light
- Includes electro valve for direct water connection
- Micro safety switch shuts oven off when door is open
- Heavy duty stainless steel body construction
- Safety "Cold door" design with double wall glass
- Reinforced door hinges
- Oven door can support a weight limit of 80 lbs
- Oven cavity is insulated with ultra-high temperature fibreglass insulation
- Dimensions are suitable to accommodate modular stacking for customized cooking set
- Two Year Limited Warranty





AX-824RHD

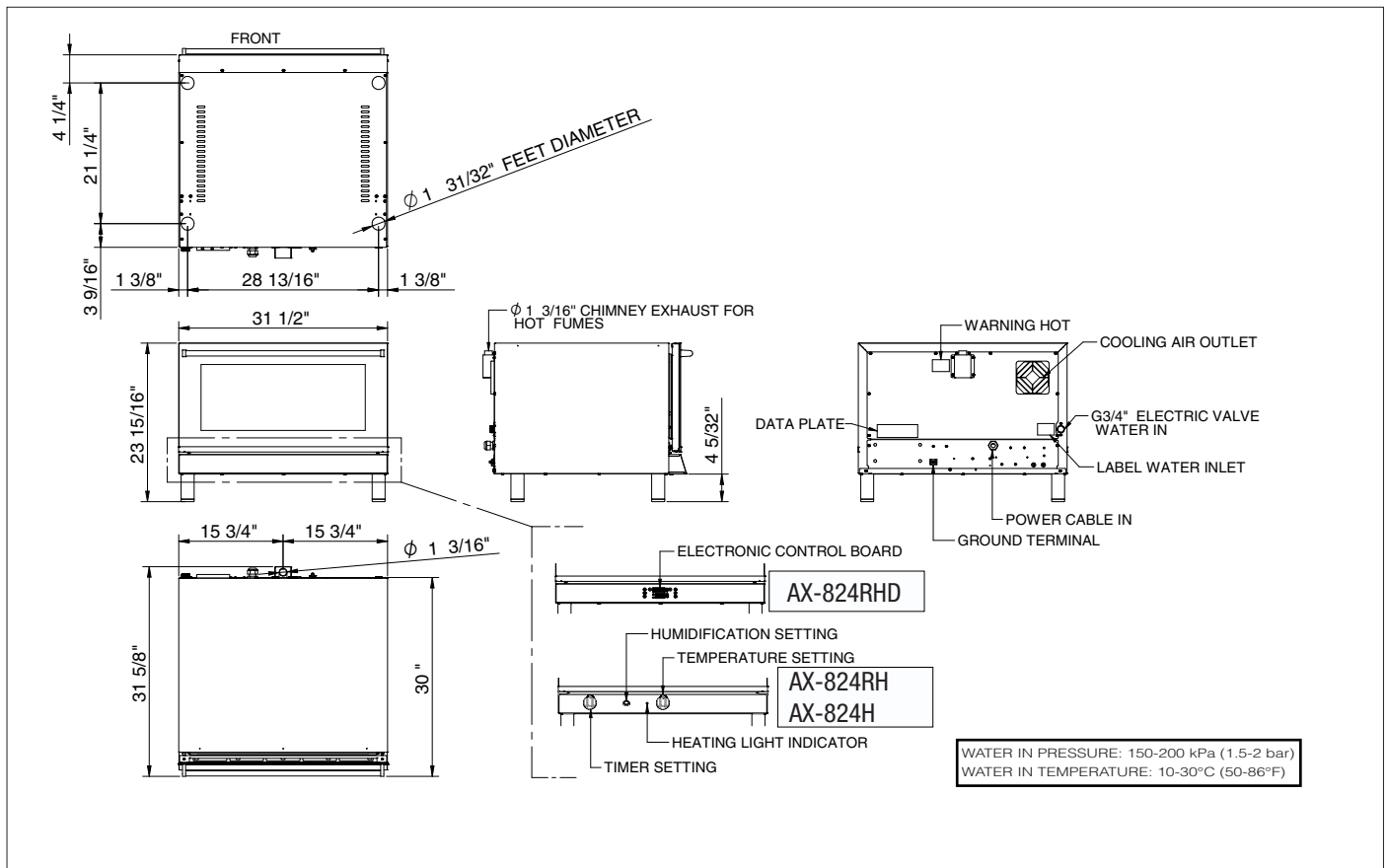
Full Size Digital Convection Oven with Humidity Inverter system – 4 shelves

Specifications :

Programmable controls	time, temperature, humidity, 3 cooking cycles for each program
Load capacity	4 shelves Full Size pans
Fan(s) High Speed with reversing gear	2
Space between trays	2.95"
Power / Voltage	5700 Watts / 208-240 V 60 Hz / Single Phase Oven supplied with power cord only / no plug
Temperature	86 ° - 500 °F
Equipped with	16 hour timer - signal at end of cycle
Dimension of cooking chamber	27.33 x 13.11 x 18.73 (WxHxD) - 3,85 Cubic Feet
Shipping dimensions	35.46" x 35.46" x 28.37"
Net / Ship Weight	126 lbs / 154 lbs

Features :

- Optimal airflow system
- Automatically reversing gear
- Digital programmable controls / 99 programs / pre-heating / 3 cooking cycle for each program
- High temperature motor bearings
- High speed fan
- Interior halogen light
- Includes electro valve for direct water connection
- Micro safety switch shuts oven off when door is open
- Heavy duty stainless steel body construction
- Safety "Cold door" design with double wall glass
- Reinforced door hinges
- Oven door can support a weight limit of 80 lbs.
- Oven cavity is insulated with ultra-high temperature fibreglass insulation
- Dimensions are suitable to accommodate modular stacking for customized cooking set
- Two Year Limited Warranty

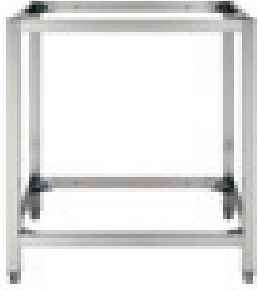




AX-500 Oven stand

Features :

- Heavy duty oven stand for Half Size Ovens
- Dimensions - 23.63" x 23.63" x 35.44"
- Holds any Axis half size oven ("5" Series)
- Heavy duty stainless steel (assembly required)
- Shipping dimensions : 40.55" x 7.88" x 6.31" - 29 lbs



AX-800 Oven stand

Features :

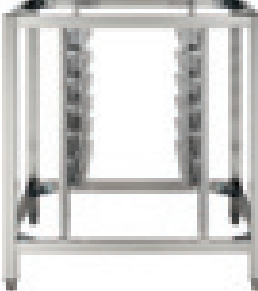
- Heavy duty oven stand for Full Size Ovens
- Dimensions : 31.5" x 25.59" x 35.44"
- Holds any Axis full size oven ("8" Series)
- Heavy duty stainless steel (assembly required)
- Shipping dimensions : 40.55" x 7.88" x 6.31" - 31 lbs



AX-501 Oven stand

Features :

- Heavy duty oven stand with tray support slides for Half Size Ovens
- Dimensions - 23.63" x 23.63" x 35.44"
- Holds any Axis half size oven ("5" Series)
- Heavy duty stainless steel (assembly required)
- Shipping dimensions : 40.55" x 7.88" x 6.31" - 44 lbs



AX-801 Oven stand

Features :

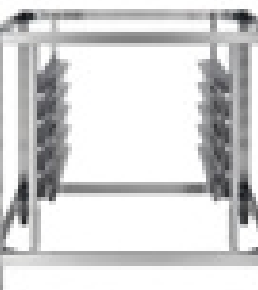
- Heavy duty oven stand with tray support slides for Full Size Ovens
- Dimensions : 31.5" x 25.59" x 35.44"
- Holds any Axis full size oven ("8" Series)
- Heavy duty stainless steel (assembly required)
- Shipping dimensions : 40.55" x 7.88" x 6.31" - 55 lbs



AX-502 Oven stand

Features :

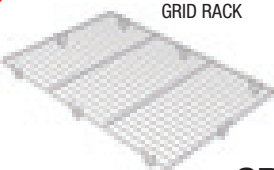
- Heavy duty oven stand with tray support slides for Half Size Ovens
- Dimensions : 23.63" x 23.63" x 27.56"
- Holds any two Axis half size ovens ("5" Series) - Kit "5" Required
- Heavy duty stainless steel (assembly required)
- Shipping dimensions : 40.55" x 7.88" x 6.31" - 44 lbs




AX-802 Oven stand

Features :

- Heavy duty oven stand with tray support slides for Full Size Ovens
- Dimensions : 31.5" x 25.59" x 27.56"
- Holds any two Axis full size ovens ("8" Series) - Kit "8" Required
- Heavy duty stainless steel (assembly required)
- Shipping dimensions : 40.55" x 7.88" x 6.31" - 55 lbs



GRID RACK




GRID RACK With full size pan

GRID RACK

Features :

- Special bacon chromed grid to fit in Full Size pan (pan not included)
- Suitable for "8" Series ovens
- Shipping dimensions : 2.59" x 17.72" x 4.72" - 4.4 lbs

R15 - R25



Features :

- R15 : Casters with brakes (optional)
- R25 : Casters without brakes (optional)
- Shipping dimensions 4 wheels : 14.95" x 1.81" x 3.94" - 8.1 lbs
- Shipping dimensions 1 wheel : 6.30" x 6.30" x 3.55" - 2.2 lbs

KIT "5" Series

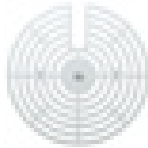
KIT "8" Series



Features :

- KIT5 : Stacking kit for "5" Series Except for AX-513 & AX-514
- KIT8 : Stacking kit for "8" Series
- Shipping dimensions : 43.83" x 4.72" x 7.09" - 8.1 lbs

DEFLECTOR



Features :

- Air Deflector Plate for delicate baking
- Installs without tools for fan protection
- Shipping dimensions : 6.30" x 6.30" x 3.55" - 0.4 lbs

AXIS

MVP
GROUP

Tel.: 514.737.9701 / Toll Free: 888.275.4538

Fax: 514.342.3854 / Toll Free: 877.453.8832

sales@mvpgroupcorp.com • www.mvpgroupcorp.com

AXIS is a registered trade mark of MVP Group. Specifications subject to change without notice.

