



AX-513RHD

Half Size Convection Oven with Humidity Digital controls - Reversing Fan - 3 shelves



Digital controls	Time, temperature, humidity, 3 cooking cycles for each program, automatic pre-heating	Features <ul style="list-style-type: none">• Advanced airflow design• Automatic high speed reversing fans• Digital programmable controls / 99 programs / automatic pre-heating / 3 cooking cycles for each program• Interior halogen light• Includes electro valve for direct water connection• Micro safety switch shuts oven off when door is open• Heavy duty stainless steel body construction• "Cold Door" design with double pane glass• Reinforced door hinges• Oven door can support weight limit of 80 lbs.• Oven cavity is insulated with ultra-high temperature fiberglass insulation• 3 Stainless steel wire shelves• Ovens can be stacked (kit required)• Warranty: 2 years parts & 1 year labor exclusive of lights, gaskets and glass
Load capacity	3 shelves for half size sheet pans	
High speed reversing fan	1 (3200 rpm)	
Space between shelves	3" (75 mm)	
Power requirements	1,650 Watts / 120 V / 60 / 1 Oven supplied with power cord and plug	
Temperature	86° - 500° F	
Equipped with	16 hour timer - Signal at end of cycle	
Cavity size(inches)	18.7" x 15" x 9.6" (WxDxH)	
Unit dimensions (inches)	22.05" x 25.48" x 17.90" (WxDxH)	
Shipping dimensions (inches)	23.63" x 26.77" x 19.69" (WxDxH)	
Net / Ship weight	62 lb / 73 lb	

OVEN STANDS & PROOFERS



AX-501 OVEN STAND
SHIP WT: 43 lbs

- HD stand with tray slides for half size sheet pans
- Dimensions: 23.30" x 20.87" x 31.50"
- Accommodates any "5" series ovens



AX-PR5
SHIP WT: 133 lbs



- Capacity: 8 half size sheet pans
- Space between pans: 3"
- 208-240/60/1, 2000 Watts
- Heat setting up to 140°F
- Manual fill water supply in bottom tray

CONVECTION ACCESSORIES



DEFLECTOR
CODE: 124-DEF

- 1 is required for "5" series
- Air deflector plate for delicate baking

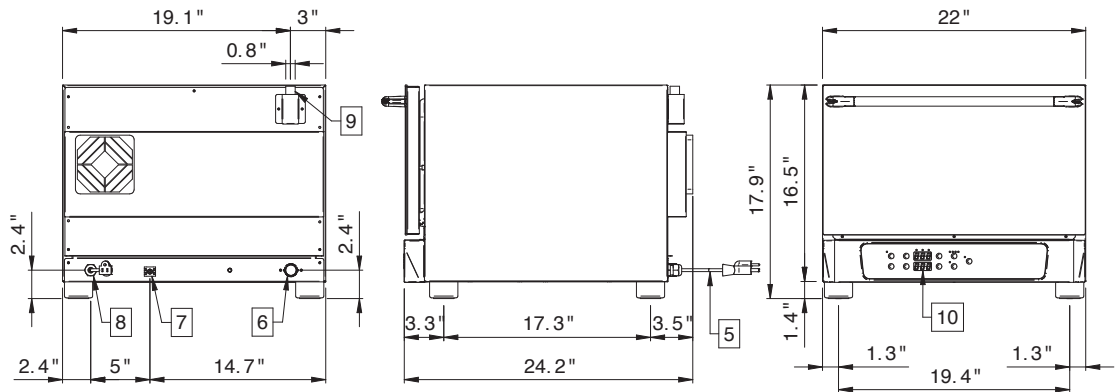


STACKING KIT "5" SERIES
CODE: 124-KIT5

- Stacking kit for "5" Series

LINE DRAWINGS

AX-513RHD



514-737-9701 786-600-4687

TOLL FREE: 888-275-4538

TOLL FREE: 844-218-8477

5659 ROYALMOUNT AVE, MONTREAL, QC, CANADA H4P2P9
12000 BISCAYNE BLVD, SUITE #108, MIAMI, FL, USA 33181

MVPGROUPCORP.COM SALES@MVPGROUPCORP.COM