

### MODULAR CABINET BASE

STEAM COIL STEAM GENERATOR  
 24" (600 MM) or 36" (900 MM) WIDE BASE

MODEL:  24-SM

#### Cleveland Standard Features

- Type 430 Stainless Steel exterior enclosure and Table Top
- 6" Stainless Steel Legs with level adjustment with flanged feet
- Solid State steam generator Water Level Controls
- Low Water Power Cut-off
- Pressure Limit Controls with 15 psi Safety Valve
- Major Components serviceable from the front of unit
- Steam Generator empties under pressure (blowdown) automatically upon each Shut-Down. Automatic Water Refill on Start-Up
- Separate "Start/Reset" Illuminated switch controls, plus Pressure Gauge
- Steam Generator Drain incorporates Water Cooling and "Jet/Rinsing"
- Steam Generator is complete with Access Hole/Cover Plate and Sight Glass Gauge
- Secondary Low Water Cut-Off, factory installed (CALs)  
(Required for AZ. AR. CA. CO. CT. DE. FL. GA. HI. IL. IA. KS. MD. MA. MI. MN. MT. NE. NV. NM. NC. OK. OR. PR. RI. TN. UT. VA. WA. WV., Buffalo, NY, Wash. DC)
- Standard voltage is 115 volt, 60 Hz, single phase
- Single cold water connection (no hot water required)

#### Options & Accessories

- Voltages for controls other than standard
- Stainless Steel Base Frame (FSS)



#### Short Form Specifications

Shall be CLEVELAND, Modular Cabinet Base with Steam Coil Steam Generator Model \_\_\_\_ -SM. Type 430 Stainless Steel exterior enclosure, Table Top and four Level Adjustable Legs. Console mounted controls, Pressure Gauge and "Start/Reset" control switches. Solid State Water Level Steam Generator Controls. Steam Generator drains under pressure (blow-down) after each Shut-Down, Automatic Water Fill on Start-Up. 15 psi Safety Valve.

## STEAM REQUIREMENTS FOR STEAM COIL STEAM GENERATOR

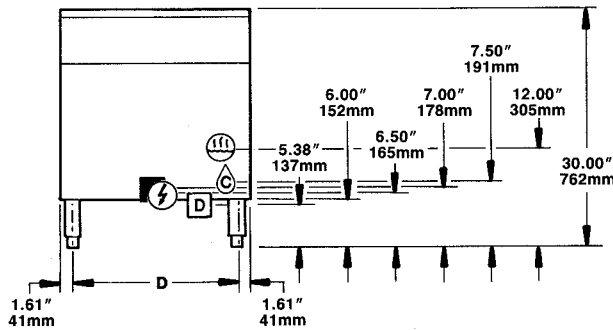
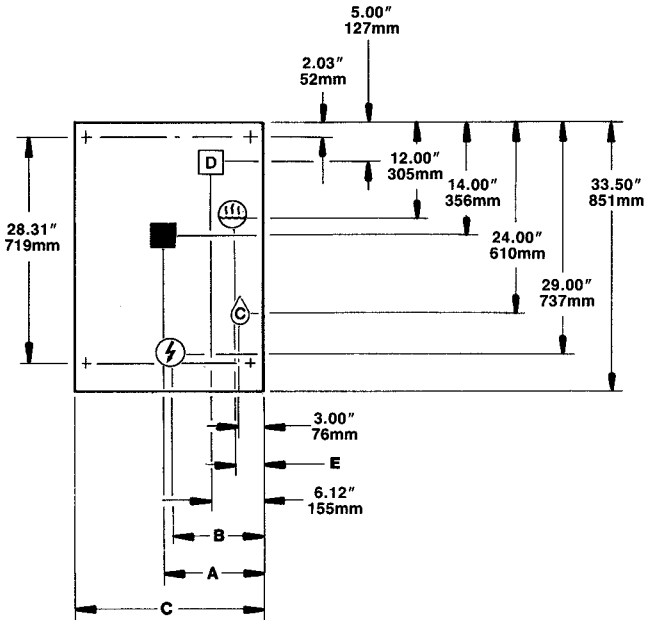
Requirements for Building Steam Input Pounds Per Hour	Compartments that Steam Output will Operate:	Steam Pressure Required Minimum/Maximum
80	2 convection compartments	35 / 50
95	2 pressure compartments	30 / 50
117	3 pressure compartments	40 / 50
156	4 pressure compartments	50 / 50

### WATER QUALITY REQUIREMENT

The recommended minimum water quality standards whether untreated or pre-treated, based upon 10 hours of use per day, and a Daily Blowdown, are as follows:

TOTAL DISSOLVED SOLIDS	less than 60 parts per million
TOTAL ALKALINITY	less than 20 parts per million
SILICA	less than 13 parts per million
pH FACTOR	greater than 7.5
CHLORINE	less than 30 parts per million

Consult a local water treatment specialist for an on site water analysis for recommendations concerning steam generator feed water treatment (if required), in order to remove or reduce harmful concentrations of minerals. The use of highly mineralized water will mean that more frequent servicing of the steam generator will be necessary. The fact that a water supply is potable is not proof that it will be suitable for the generator.



Model		A	B	C	D	E
24-SM	IN mm	12.95 329	11.09 282	23.63 600	20.40 518	3.50 89
36-SM	IN mm	24.76 629	22.90 582	35.43 900	32.21 818	15.31 389

STEAM COIL	ELECTRIC	WATER	DRAINAGE	CLEARANCE
Steam supply piping 3/4" IPS minimum for 30-50 psi.  For pressures above 50 psi, a Pressure Reducing Valve must be specified.	115V - 1PH  100 watts	35 psi minimum 60 psi maximum  1/4" NPT Cold Water Inlet	1.50" IPS common drain.  Do not connect other units to this drain.  3/4" IPS. Do not connect to common drain. Do not use PVC pipe for drain.	Right - 3", Left - 3", Rear - 3" (12" on control side if adjoining wall or equipment is over 30" high for service access)  <b>Contact factory for                      variances to clearances.</b>

#### NOTES:

Cleveland Range reserves right of design improvement or modification, as warranted.  
 Many regional, state and local codes exist and it is the responsibility of the owner and installer to comply with the codes.  
 Cleveland Range equipment is built to comply with applicable standards for manufacturers. Included among those approval agencies are ASME/N. Bd, NSF and UL.