



DV 80.2 T

HOT WATER SANITIZING TALL HOOD DOOR-TYPE DISH MACHINE



Meiko's DV 80.2 T door-type warewasher has an extra-tall 27" interior clearance height to accommodate taller ware, such as sheet pans, with ease.

The DV 80.2 T includes standard features and benefits currently unavailable in the door-type dishmachine market. Increased rack capacity and low water consumption not only reduce operating costs for the end user, but also provide enhanced performance and cycle flexibility. Meiko's exclusive, award-winning "Mike 2" programmable controller simplifies operation and service diagnostics.

Other unique features include Meiko's "Active Plus" wash tank soil removal system, "Soft Start" fine china and glassware protection system, "Aqua-Stop" water leakage protection system, and the "Auto Safe" temperature control system. Together with the unit's **internal booster heater** and **power rinse pump**, "Auto Safe" provides constant, *guaranteed* temperature and pressure for the wash and final rinse cycles.

As with all products synonymous with the name "Meiko," engineering excellence, manufacturing quality and performance come to the forefront in the DV 80.2 T.

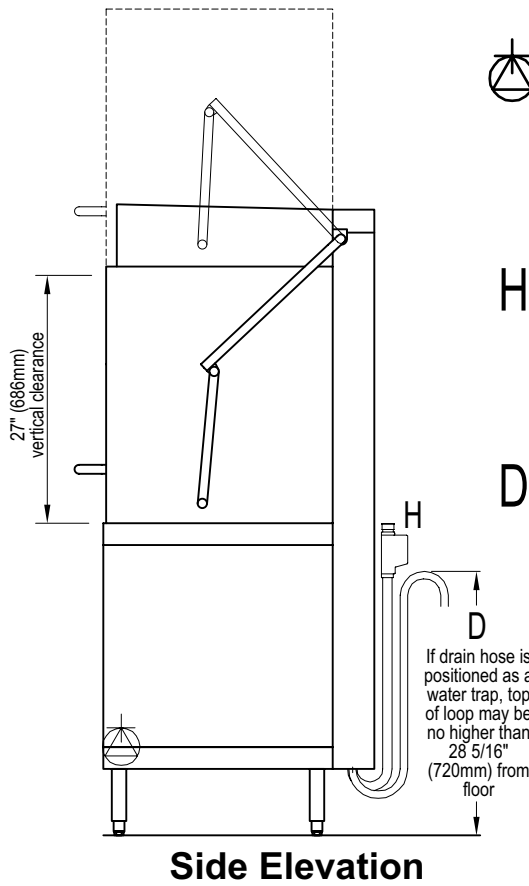
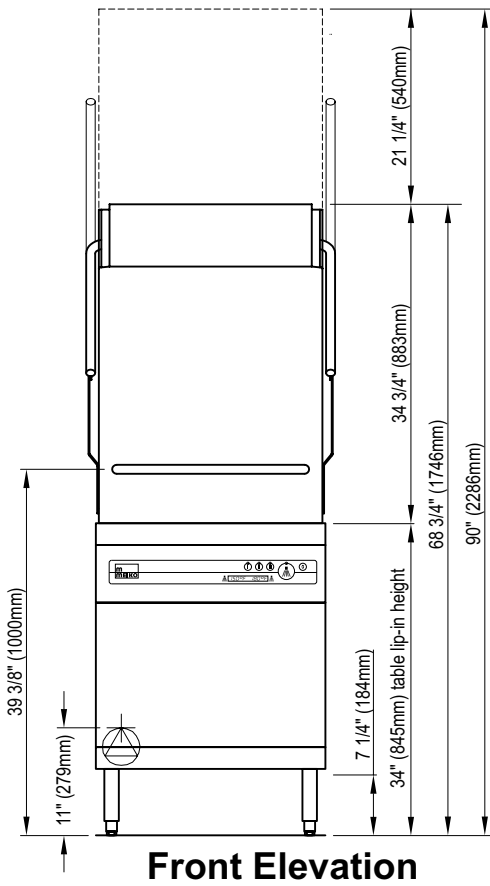
Special Features:

- **Tall Hood** - 27" clearance height accepts taller ware, such as sheet pans, with ease
- **Mike 2 Programmable Controller** - advanced micro-computer technology for service diagnostics and end-user dishmachine settings
- **Built-in Booster Heater with Power Rinse Pump** - Guarantees constant pressure and temperature during final rinse
- **Active Plus** - Double filtration of wash water removes food soil, improving washing efficiency and saving detergent while easing cleaning chores
- **Auto Safe** - Guarantees minimum required wash and rinse temperatures regardless of incoming water temperature
- **Soft Start Wash Pump** - Protects dishes and glasses from chipping or breaking
- **Aqua-Stop** - Automatically turns off incoming water supply should internal water leakage occur


Standard Features:

- Three variable programmed time cycles - 69, 105 and 240 seconds
- Maximum rack capacity of 52 racks per hour
- Utilizes only 1.13 gallons of rinse water per rack
- Fully automatic operation - automatic fill, automatic start, and automatic reset
- Pumped drain for both floor and wall drain applications
- Self cleaning cycle - automatic cleaning of the wash chamber following machine shutdown
- Stainless steel non-clogging wash and rinse arms
- Sloped ceiling is safer for the user and prevents dripping of soiled water onto sanitized ware
- Front mounted controls with digital cycle and temperature displays
- Powerful 2 Hp wash pump
- All 304 and 316L stainless steel construction for advanced corrosion resistance
- Type A air gap system eliminates need for vacuum breaker
- Field-convertible for use in either straight-through or corner applications

Dimensions

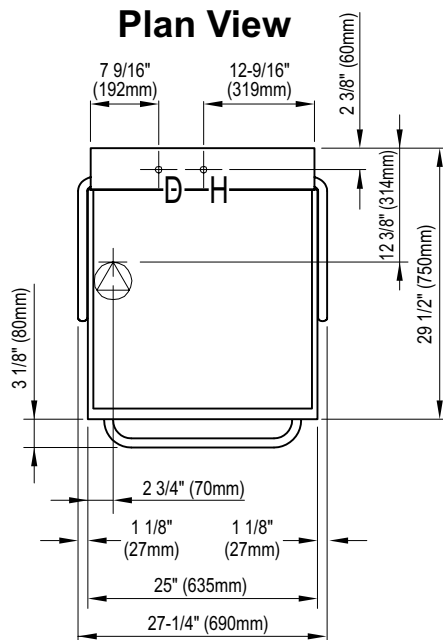


Legend

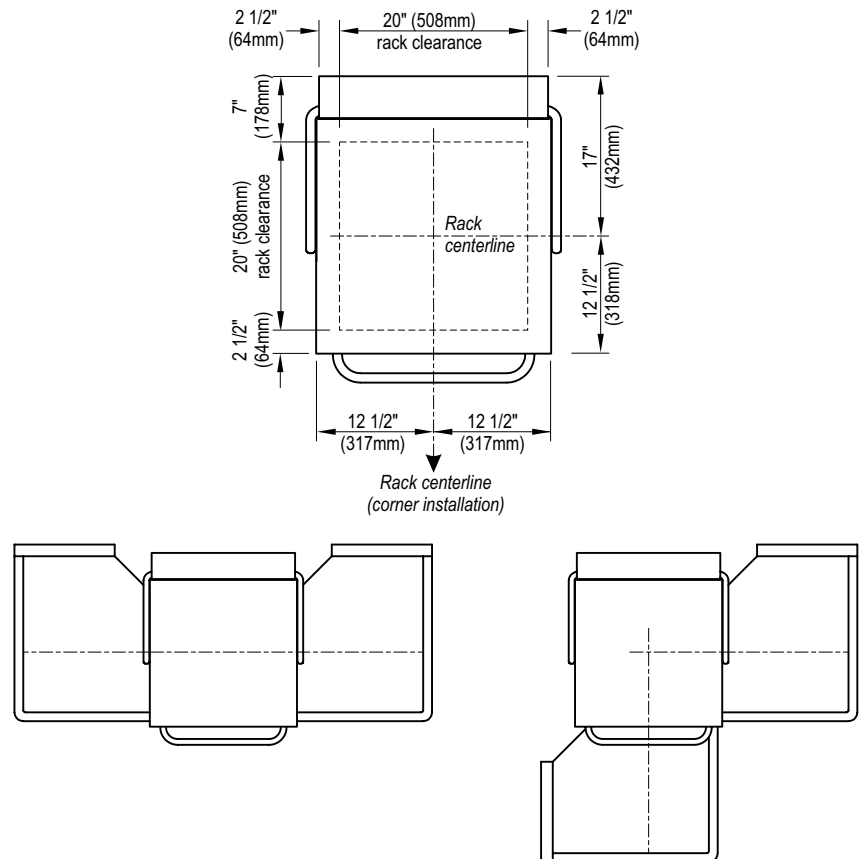
 **Electrical terminal block**
 Strain relief provided at lower rear of machine. Adequate slack in the wiring should be provided to allow the machine to be moved for servicing.

H **Fresh water connection**
 3/4" male garden hose supply connection is required. Supplied hose extends 4' 7" from machine connection.

D **Drain connection**
 Requires indirect connection to 1-1/2" drain pipe (wall or floor). Supplied hose extends 4' 7" from machine connection.

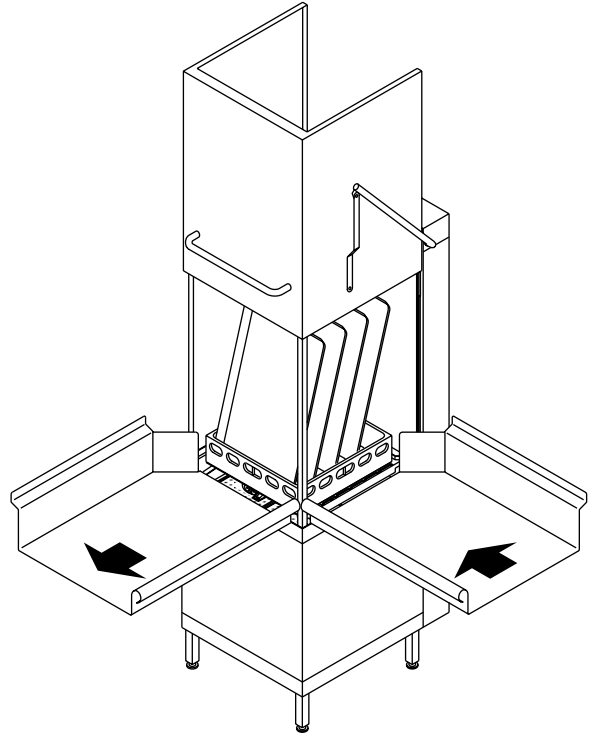
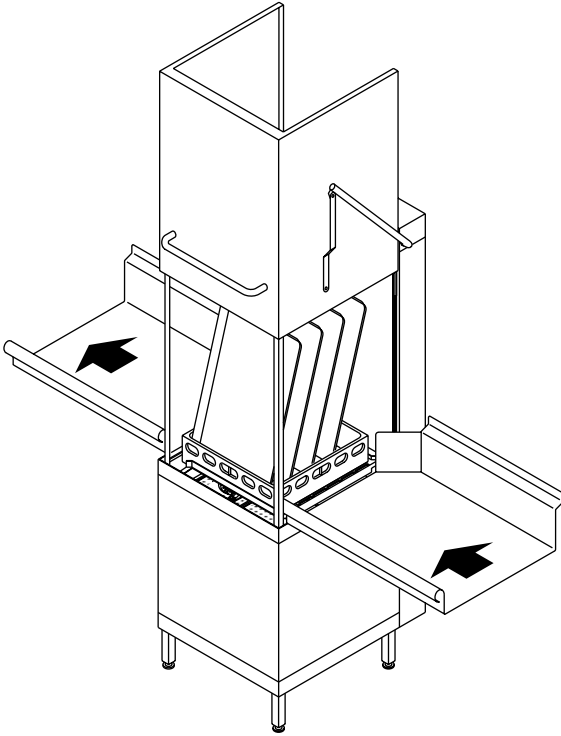


Rack Clearances and Table Positioning

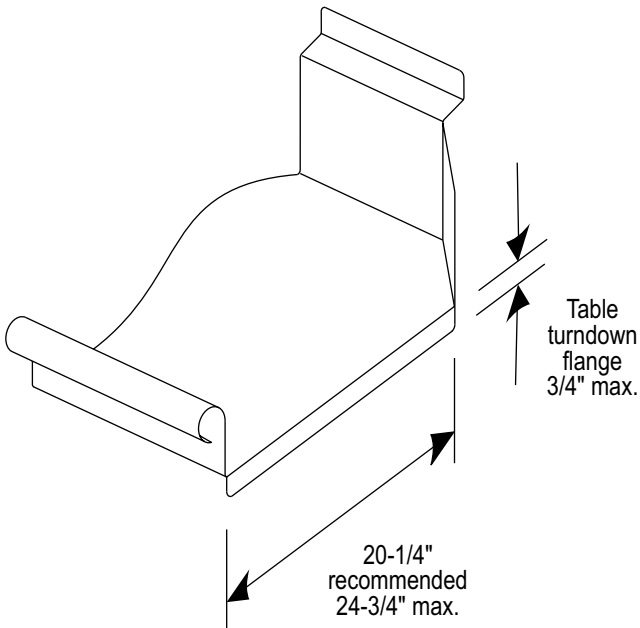


Corner Installations

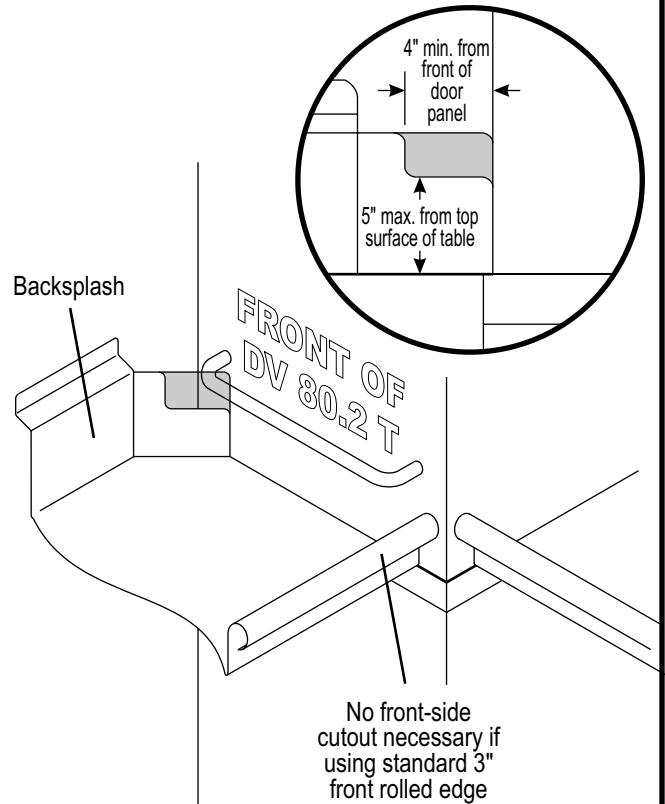
The DV 80.2 T is field-convertible from straight-through to corner application in minutes, without additional parts.



Recommended Tabling Construction



Tabling Cutout for Corner Installations



Technical Specifications

Optimum Capacity:

Racks per hour	52
Dishes per hour	1300
Glasses per hour	1872

Optimum Cycle Time (Seconds):

Wash Cycle	41
Dwell / Drain Time	18
Rinse Cycle	10
Total Cycle	69

Water Requirements:

Gallons per Rack	1.13
Gallons per Hour	58.8
Flow Pressure (psi)	8.7-72.5
Incoming Waterline	3/4" Male Garden Hose
Drain line Size	3/4" OD Flexible Hose

Required Operating Temperatures:

Incoming Water (Optimum)	140°F
Wash (Minimum)	150°F
Rinse (Minimum)	180°F

Tank Capacities:

Wash Tank	5.81 Gallons
Booster Heater	2.77 Gallons

Electrical Requirements:

Wash Tank Heat	3 x 2 kW
Booster Heater	9 kW
Wash Pump	2 HP
Approximate Total Load Amps:	
• 208-230/60/1	69.3A @ 208V, 75.5A @ 230V
• 208-230/60/3	41.2A @ 208V, 44.8A @ 230V
• 460/60/3	28.5A @ 460V

Dimensions:

Height, Door Closed	68-3/4"
Height, Door Open	90"
Width	25"
Depth	29-1/2"
Inside Clearance Height	27"
Wall Clearance	0" min.

Machine / Shipping Details:

Machine Weight	279 lbs.
----------------------	----------

Specification

DV 80.2 T Item Number _____

Dishmachine shall be a Meiko DV 80.2 T hot water sanitizing door type dishmachine.

Unit shall be : ___ 208-230 V / 60 Hz / 1 Ph
 ___ 208-230 V / 60Hz / 3 Ph
 ___ 460 V / 60 Hz / 3 Ph

Unit will be equipped with a tall hood to accommodate loading of taller ware, including sheet pans, up to a 27" vertical clearance (including rack).

Unit shall have front mounted microcomputer controls, a 69 second total time cycle, and utilize 1.13 gallons fresh rinse water per cycle. Dishmachine shall utilize a fresh water pumped rinse for constant rinse pressure and temperature every cycle. Unit shall have integral wash tank soil removal system to maintain clean wash water and have built-in temperature safeguards to guarantee washing and rinsing at minimum required temperatures. Wash pump shall be equipped with a smooth start feature to eliminate chipped and broken dishware. Unit shall also incorporate features to stop operation and shut off water flow to the machine should leakage occur. Machine shall have variable time cycles for heavier than normal soil loads.

"Auto Safe" Feature

The DV 80.2 T guarantees that the minimum temperature requirements of 150°F during the wash and 180°F during the final rinse are achieved regardless of the incoming water temperature, even if the dishmachine is installed to a cold water line. Exact rack capacity is dependent upon the incoming water temperature and on the electrical supply voltage.

Note: All specifications are subject to change without notice based on Meiko's dedicated product improvement program.

