



BEVERAGE-AIR

3779 Champion Blvd., Winston-Salem, NC 27105
1-888-845-9800 Fax# 1-336-245-6453
<http://www.Beverage-Air.com>

Item No. _____
Quantity _____

MODELS:
BB48GY
BB72GY

**BEER EQUIPMENT
GLASS DOOR BACK BAR
REFRIGERATORS
BB-G SERIES**

CUSTOMER'S CHOICE FOR A HOT LOCATION
Tested & Certified to Ambient Class of 100°F

3 Year Parts/Labor Warranty
Additional 2 Year Compressor Warranty

BB GLASS DOOR — BACK BAR REFRIGERATOR

Overall height is 34" Depth is 23 1/2" from face of door to back of cabinet. Handles project 1 3/4."

CABINET CONSTRUCTION

Standard, cabinet exterior construction includes attractive, wear resistant vinyl on steel in black finish. Stainless exterior options available. Equipped with 2" stainless steel top, BB48 and BB72 is optional. Glass doors are self-closing and include key locks. Magnetic door gaskets provide positive door sealing. Glass doors are field reversible with hinge kit accessory.

Standard interior construction utilizes galvanized steel walls and ceiling. Reinforced floor and doorsills are made from heavy-duty stainless steel to provide long lasting service. Interior, fluorescent lighting is standard.

Environmentally friendly foamed-in-place CFC and HCFC-free polyurethane insulation enhances the structural strength of the cabinet and helps increase energy efficiency.

REFRIGERATION

Refrigeration system uses R134a refrigerant, which is CFC and HCFC-free for compliance with environmental safety concerns. Remote refrigeration models include expansion valve installed.

Condensate elimination is automatic and non-electric (except remotes).

ELECTRICAL

Units wired at factory and ready for connection to a 115/60/1 phase, 15 amp dedicated outlet. 8' long cord and plug set included.



BB48GY

SPECIAL FEATURES

- Keg storage is maximized in lieu of shelf storage when required.
- BB68G has earned the ENERGY STAR®



Available From:

*Note: Not all markings may apply to all model variations.

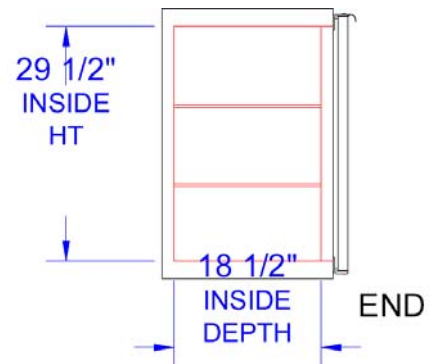
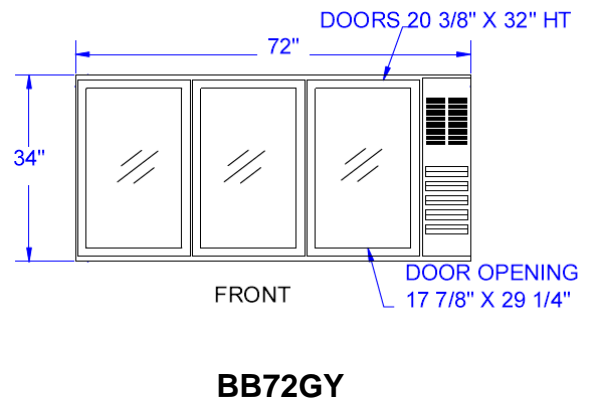
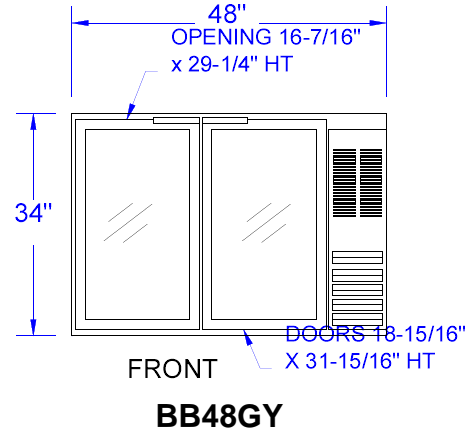
Model Specified _____	Store# _____
Location _____	Quantity _____



Back Bar Glass Door Refrigerators
Models: BB48GY, BB72GY

MODEL	BB48GY	BB72GY
EXTERNAL DIMENSIONAL DATA		
Length Overall (inches)	48"	72"
Length Overall (mm)	1219	1829
Depth Overall (inches)	23 1/2"	23 1/2"
Depth Overall (mm)	597	597
Height Overall— (inches)	34"	34"
Height Overall— (mm)	864	864
Clear Door Width (inches)	16 7/16" x 29	17 7/8" x 29 1/4"
Depth With Door Open 90°	41 3/8"	42 3/4"
Number of doors	2	3
INTERNAL DIMENSIONAL DATA		
NET Capacity (cubic ft.)	12.4	20.6
NET Capacity (Liters)	351	583
Internal Length Overall (inches)	36"	60"
Internal Length Overall (mm)	914	1524
Internal Depth Overall (inches)	18 1/2"	18 1/2"
Internal Depth Overall (mm)	470	470
Internal Height Overall (inches)	29 1/2"	29 1/2"
Internal Height Overall (mm)	749	749
Number of Shelves	4	6
Number of Kegs (straight wall)	2	3
ELECTRICAL DATA		
Full Load Amperes 115/60/1	5	5
ENERGY CONSUMPTION (KWH)		
	4.73	5.48
REFRIGERATION DATA		
Horsepower	1/4	1/4
WEIGHT DATA		
Gross Weight (Crated lbs)	288	370
Gross Weight (Crated kg)	131	168

PLAN VIEWS



*Note: Not all markings may apply to all model variations.

ELECTRICAL CONNECTION

Units pre-wired at factory and include 8' long cord and plug set.



BEVERAGE-AIR® CORPORATION

3779 Champion Blvd. • Winston-Salem, NC 27105 USA • (336) 245-6400 • Fax (336) 245-6453 • (888) 845-9800 • www.beverage-air.com

Specifications are subject to change without prior notice. 06/14