



# BEVERAGE-AIR

3779 Champion Blvd., Winston-Salem, NC 27105  
1-888-845-9800 Fax# 1-336-245-6453  
http://www.Beverage-Air.com

## Commercial Refrigeration Equipment General Specification

Item No. \_\_\_\_\_  
Quantity \_\_\_\_\_

**BEER EQUIPMENT  
HINGED GLASS DOOR  
BACK BAR REFRIGERATOR  
23" BASE  
BB PASS-THRU SERIES  
OPEN FOOD RATED**

**MODELS:  
BB48GYF-1-B/S-PT  
BB48GYF-1-B/S-27-PT  
BB72GYF-1-B/S-PT  
BB72GYF-1-B/S-27-PT**

### 3 Year Parts/Labor Warranty Additional 2 Year Compressor Warranty

#### BB HINGED GLASS DOORS — PASS-THRU BACK BAR REFRIGERATORS OPEN FOOD RATED

*Food Rated models are certified for bottled beverages, packaged food, and open food.*

23" base Pass-Thru, self-contained refrigerators come in two widths of 48" and 72."

23" base shallow depth units are available in two heights:

34" height with standard galvanized steel top for under shelf application and 36" height when adapted with a 2" stainless steel top (*specify -27*). Depth is 23 1/2" from face of door to opposite side of cabinet. Handle projects 1/2."

#### CABINET CONSTRUCTION

Standard, cabinet exterior construction includes black steel finish. Stainless steel exterior option available (*-S models*).

Galvanized sub top standard. 2" stainless steel top optional (*specify -27*). Hinged glass doors are self-closing and include a stay-open feature and lock.

All stainless steel interior with radius corners is easy to keep clean and meets NSF Standard 7 for open food containers. Reinforced floor made from heavy-duty stainless steel to provide long lasting service.

Field-reversible doors with 90° stay-open feature standard.

Two (2) epoxy-coated shelves per section standard.

Interior, fluorescent lighting standard. Optional LED lighting.

Environmentally friendly foamed-in-place CFC and HCFC-free polyurethane insulation enhances the structural strength of the cabinet and helps increase energy efficiency.

#### REFRIGERATION

Refrigeration is fully accessible behind grille to right side of cabinet and is 100% front breathing.

Evaporator located above condensing unit permits full use of interior spaces.

Refrigeration system uses R134a refrigerant, which is CFC and HCFC-free for compliance with environmental safety concerns.

Remote refrigeration models available.

#### ELECTRICAL

Units are pre-wired at factory and ready for connection to a 115/60/1 phase, 15 amp dedicated outlet. 8' long cord and plug set included.



115/60/1  
NEMA-5-15P



**BB48GYF-1-B-PT**

#### AVAILABLE OPTIONS

- LED lighting
- Wire shelf dividers
- 3" or 6" casters; 6" legs
- WINE models available (40°-60°F models)



\*Note: Not all markings may apply to all model variations.

Available From:

<b>Model Specified</b> _____	<b>Store#</b> _____
<b>Location</b> _____	<b>Quantity</b> _____



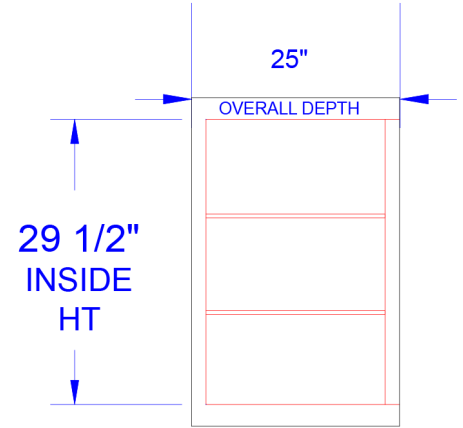
## BEVERAGE-AIR

### Back Bar Hinged Glass Door Refrigerator—Pass-Thru OPEN FOOD RATED

Models: BB48GYF-1-B/S-PT, B48GYF-1-B/S-27-PT,  
BB72GYF-1-B/S-PT, BB72GYF-1-B/S-27-PT

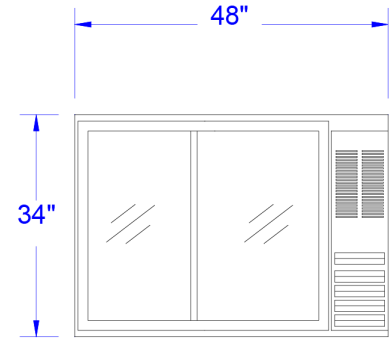
MODEL	BB48GYF-1-B/S-PT	BB48GYF-1-B/S-27-PT (2" S/S TOP)	BB72GYF-1-B/S-PT	BB72GYF-1-B/S-27-PT (2" S/S TOP)
<b>EXTERNAL DIMENSIONAL DATA</b>				
Length Overall (inches)	48"	48"	72"	72"
Length Overall (mm)	1219	1219	1829	1829
Depth Overall (inches)	25"	25"	25"	25"
Depth Overall (mm)	635	635	635	635
Height Overall— (inches)	34"	36"	34"	36"
Height Overall—(mm)	864	914	864	914
Number of doors	2	2	3	3
<b>INTERNAL DIMENSIONAL DATA</b>				
NET Capacity (cubic ft.)	12.1	12.1	19.4	19.4
NET Capacity (Liters)	343	343	549	549
Internal Length Overall (inches)	36"	36"	60"	60"
Internal Length Overall (mm)	914	914	1524	1524
Internal Depth Overall (inches)	18 1/2"	18 1/2"	18 1/2"	18 1/2"
Internal Depth Overall (mm)	470	470	470	470
Internal Height Overall (inches)	29 1/2"	29 1/2"	29 1/2"	29 1/2"
Internal Height Overall (mm)	749	749	749	749
Number of Shelves	4	4	6	6
Number of Kegs (1/2 barrel)	2	2	3	3
<b>ELECTRICAL DATA</b>				
Full Load Amperes 115/60/1	5	5	5	5
<b>REFRIGERATION DATA</b>				
Horsepower	1/4	1/4	1/4	1/4
<b>WEIGHT DATA</b>				
Gross Weight (Crated lbs)	306	306	366	366
Gross Weight (Crated kg)	139	139	166	166

### PLAN VIEWS



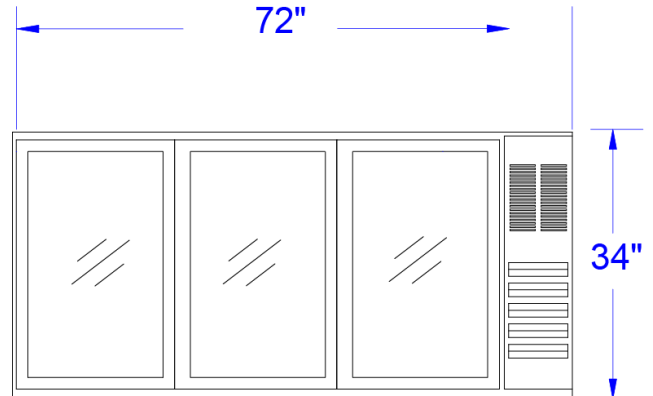
**END**

**BB48GYF / BB72GYF**



**FRONT**

**BB48GYF-1-B-PT**  
(-27 models add 2" to height)



**FRONT BB72GYF-1-B-PT**  
(-27 models add 2" to height)



\*Note: Not all markings may apply to all model variations.

## BEVERAGE-AIR® CORPORATION

3779 Champion Blvd. • Winston-Salem, NC 27105 USA • (336) 245-6400 • Fax (336) 245-6453 • (888) 845-9800 • www.beverage-air.com

Specifications are subject to change without prior notice. 07/13

KaTom Restaurant Supply, Inc.