



BEVERAGE-AIR

3779 Champion Blvd., Winston-Salem, NC 27105
1-888-845-9800 Fax# 1-336-245-6453
http://www.Beverage-Air.com

Item No. _____
Quantity _____

DIPPING CABINET FREEZERS 8-FLAVOR and 12-FLAVOR

MODELS:
BDC-8
BDC-12

Commercial Refrigeration Equipment General Specification

3 Year Parts/Labor Warranty Additional 2 Year Compressor Warranty

BDC-8 & BDC-12 —DIPPING CABINET FREEZERS

Reliable design allows for brilliant display and serving of ice cream products.

CABINET CONSTRUCTION

Standard, cabinet construction includes high-density, CFC-free polyurethane insulation.

Exterior Construction: Galvanized metal cabinet with powder coated painted surface.

High impact ABS top frame assures long-term life span.

Glass Lids: Low-E tempered sliding glass lids with lock and keys standard.

Lexan Sneeze Guard

2" Heavy-Duty Casters allow easy and fast movement.

Interior Construction: Easy to clean pre-painted steel.

SUPPORT RACKS

BDC-8 includes four (4) heavy-duty, PVC coated wire can support racks allows ice cream containers to be positioned on top level to optimize service height. Each rack designed to hold two (8) 3 gallon ice cream containers. Lower level below containers provides extra container storage of six (6) 3 gallon ice cream containers.

BDC-12 includes six (6) heavy-duty, PVC coated wire can support racks allows ice cream containers to be positioned on top level to optimize service height. Each rack designed to hold two (12) 3 gallon ice cream containers. Lower level below containers provides extra container storage of ten (10) 3 gallon ice cream containers.

REFRIGERATION

Refrigeration system uses R134A refrigerant, which is CFC and HCFC-free for compliance with environmental safety concerns.

Cold wall refrigeration system. Maintains -10°F to 8°F (-23.3°C to 13.3°C)

Maintenance-free condenser

Adjustable thermostat allows users to adjust temperature to best suit their product needs.

Easy to reach components for repairs.

Triple access air flow compressor compartment



BDC-8

ELECTRICAL CONNECTION

Units pre-wired at factory and ready for connection to a 115/60/1 phase, 15 amp dedicated outlet.



NEMA-5-15R

5-15R

AVAILABLE OPTIONS:

- CUSTOM GRAPHICS
- DIP WELL

Available From:



Model Specified _____

Store# _____

Location _____

Quantity _____



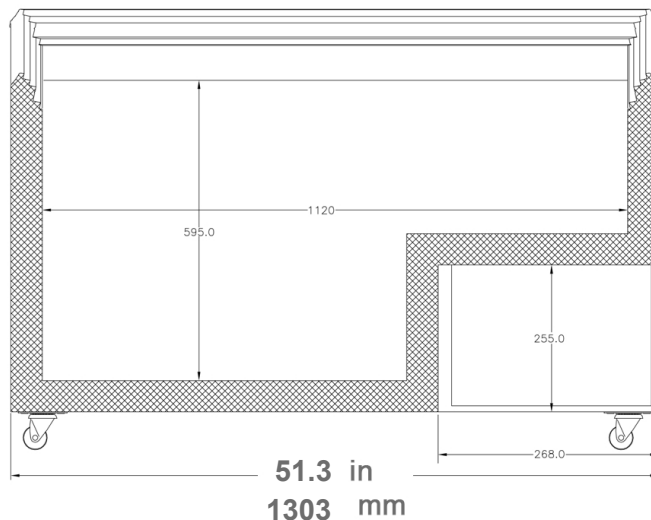
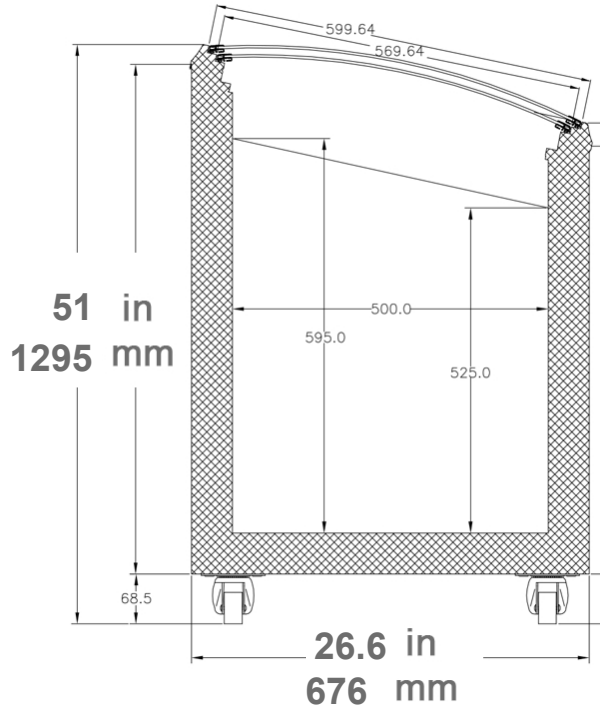
BEVERAGE-AIR

Dipping Cabinet Freezers

Model: BDC-8, BDC-12

MODEL	BDC-8	BDC-12
EXTERNAL DIMENSIONAL DATA		
Length Overall (inches)	51.3"	69.1"
Length Overall (mm)	1303	1755
Depth Overall (inches)	26.6"	26.6"
Depth Overall (mm)	676	676
Height Overall— (inches)	51"	51"
Height Overall—(mm)	1295	1295
INTERNAL DIMENSIONAL DATA		
NET Capacity (cubic ft.)	10.3	14.8
NET Capacity (Liters)	291	419
Capacity—Top holding area	(8) 3 Gallon tubs	(12) 3 Gallon tubs
Capacity—Bottom storage area	(6) 3 Gallon tubs	(10) 3 Gallon tubs
Internal Length Overall (inches)	44"	61.8"
Internal Length Overall (mm)	1120	1571
Internal Depth Overall (inches)	19.7"	19.7"
Internal Depth Overall (mm)	500	500
Internal Height Overall (inches)	23.4"	23.4"
Internal Height Overall (mm)	595	595
ELECTRICAL DATA		
Full Load Amperes 120V	5.2	5.7
ENERGY CONSUMPTION (kw-hr/day)		
	1.96	2.63
REFRIGERATION DATA		
Horsepower	1/3	1/3
WEIGHT DATA		
Gross Weight (Crated lbs)	230	280
Gross Weight (Crated kg)	104	127

PLAN VIEWS



BEVERAGE-AIR® CORPORATION

3779 Champion Blvd. • Winston-Salem, NC 27105 USA • (336) 245-6400 • Fax (336) 245-6453 • (888) 845-9800 • www.beverage-air.com

Specifications are subject to change without prior notice. 06/16