



# BEVERAGE-AIR

3779 Champion Blvd., Winston-Salem, NC 27105  
1-888-845-9800 Fax# 1-336-245-6453  
<http://www.Beverage-Air.com>

## Commercial Refrigeration Equipment General Specification

### 3 Year Parts/Labor Warranty Additional 2 Year Compressor Warranty

#### BDC-8 & BDC-12 —DIPPING CABINET FREEZERS

Reliable design allows for brilliant display and serving of ice cream products.

#### CABINET CONSTRUCTION

Standard, cabinet construction includes high-density, CFC-free polyurethane insulation.

Exterior Construction: Galvanized metal cabinet with powder coated painted surface.

High impact ABS top frame assures long-term life span.

Glass Lids: Low-E tempered sliding glass lids with lock and keys standard.

Lexan Sneeze Guard

3" Heavy-Duty Casters allow easy and fast movement.

Interior Construction: Easy to clean pre-painted steel.

#### SUPPORT RACKS

**BDC-8** includes four (4) heavy-duty, PVC coated wire can support racks allows ice cream containers to be positioned on top level to optimize service height. Each rack designed to hold two (8) 3 gallon ice cream containers. Lower level below containers provides extra container storage of six (6) 3 gallon ice cream containers.

**BDC-12** includes six (6) heavy-duty, PVC coated wire can support racks allows ice cream containers to be positioned on top level to optimize service height. Each rack designed to hold two (12) 3 gallon ice cream containers. Lower level below containers provides extra container storage of ten (10) 3 gallon ice cream containers.

#### REFRIGERATION

Refrigeration system uses R404A refrigerant, which is CFC and HCFC-free for compliance with environmental safety concerns.

Cold wall refrigeration system. Maintains -10°F to 8°F (-23.3°C to 13.3°C)

Maintenance-free condenser

Adjustable thermostat allows users to adjust temperature to best suit their product needs.

Easy to reach components for repairs.

Triple access air flow compressor compartment

Item No. \_\_\_\_\_  
Quantity \_\_\_\_\_

## DIPPING CABINET FREEZERS 8-FLAVOR and 12-FLAVOR

MODELS:  
BDC-8  
BDC-12



**BDC-8**

#### ELECTRICAL CONNECTION

Units pre-wired at factory and ready for connection to a 115/60/1 phase, 15 amp dedicated outlet.



NEMA-5-15R

5-15R

#### AVAILABLE OPTIONS:

- CUSTOM GRAPHICS
- LED LIGHTING
- DIP WELL

Available From:



Model Specified \_\_\_\_\_

Store# \_\_\_\_\_

Location \_\_\_\_\_

Quantity \_\_\_\_\_



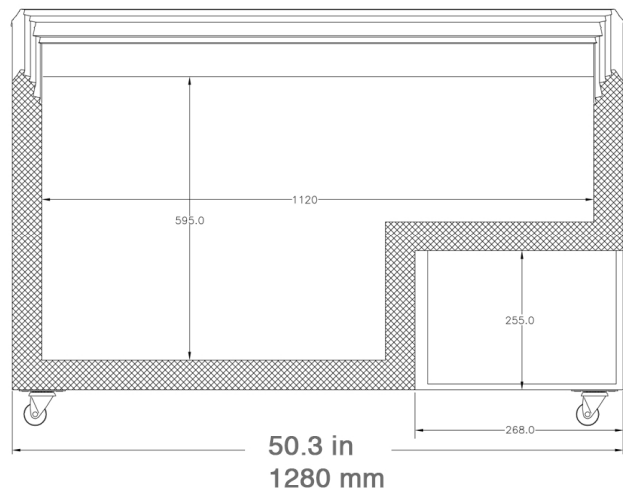
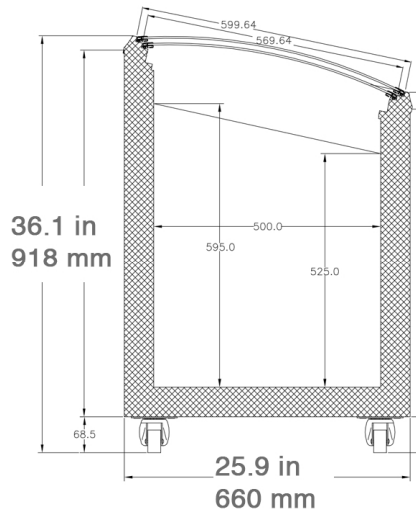
**BEVERAGE-AIR**

**Dipping Cabinet Freezers**

Model: BDC-8, BDC-12

**PLAN VIEWS**

MODEL	BDC-8	BDC-12
<b>EXTERNAL DIMENSIONAL DATA</b>		
Length Overall (inches)	50.3"	68.3"
Length Overall (mm)	1278	1735
Depth Overall (inches)	26.2"	26.2"
Depth Overall (mm)	665	665
Height Overall— (inches)	51"	51"
Height Overall—(mm)	1295	1295
<b>INTERNAL DIMENSIONAL DATA</b>		
NET Capacity (cubic ft.)	10.3	N/A
NET Capacity (Liters)	291	N/A
Capacity—Top holding area	(8) 3 Gallon tubs	(12) 3 Gallon tubs
Capacity—Bottom storage area	(6) 3 Gallon tubs	(10) 3 Gallon tubs
Internal Length Overall (inches)	44"	N/A
Internal Length Overall (mm)	1120	N/A
Internal Depth Overall (inches)	19.7"	19.7"
Internal Depth Overall (mm)	500	500
Internal Height Overall (inches)	23.4"	23.4"
Internal Height Overall (mm)	595	595
<b>ELECTRICAL DATA</b>		
Full Load Amperes 120V	5.2	N/A
<b>ENERGY CONSUMPTION (kw-hr/day)</b>		
	3.52	N/A
<b>REFRIGERATION DATA</b>		
Horsepower	1/3	N/A
<b>WEIGHT DATA</b>		
Gross Weight (Crated lbs)	240	N/A
Gross Weight (Crated kg)	109	N/A



**BEVERAGE-AIR® CORPORATION**

3779 Champion Blvd. • Winston-Salem, NC 27105 USA • (336) 245-6400 • Fax (336) 245-6453 • (888) 845-9800 • www.beverage-air.com

Specifications are subject to change without prior notice. 08/13