



|                 |      |
|-----------------|------|
| Project: _____  | AIA# |
| Item: _____     |      |
| Location: _____ | SIS# |
| Approved: _____ |      |

## HRPS HORIZON TOP MOUNT REACH-IN

**MODELS:**  
HRPS2-1HG

### HRPS2 Half-Glass Door Top Mount Reach-In Refrigerators



HRPS2-1HG

**3 Year Parts/Labor Warranty**  
**Additional 2 Year Compressor Warranty**

#### CABINET CONSTRUCTION

- Stainless steel exterior and interior
- Full electronic control
- One piece grille
- LED interior light
- Self-closing doors with 120° stay-open feature, on cam-lift hinges
- Field reversible doors are easily removed for service and cleaning
- Magnetic gasket attached to each door for positive seal
- Anti-microbial door handles
- Three (3) heavy duty epoxy coated wire shelves per section
- 6" Heavy-duty casters, two (2) with brakes
- Maintains product temperatures between 36 - 38°F

#### OPTIONS & ACCESSORIES

- Tray slide pair, 1 tray slide set for (1) 18" x 26" or (2) 14" x 18" pans (A)
- Stainless steel universal tray slide pair, 1 tray slide set for (1) 18" x 26" or (2) 14" x 18" pans (AC)
- Epoxy coated wire rod tray slide (Kit #4)
- Door locks
- Epoxy shelves
- Shelf clips
- Stainless steel breaker
- 6" Legs
- 3" Casters
- Remote option

#### REFRIGERATION SYSTEM

- Refrigeration system uses R134A refrigerant
- Automatic, non-electric defrost
- Epoxy coated evaporator coil

HRPS2 Top Mount Reach-In: Horizon Series



3779 Champion Blvd., Winston-Salem, NC 27105  
1-888-845-9800 Fax: 1-336-245-6453  
Beverage-Air.com sales@bevair.com



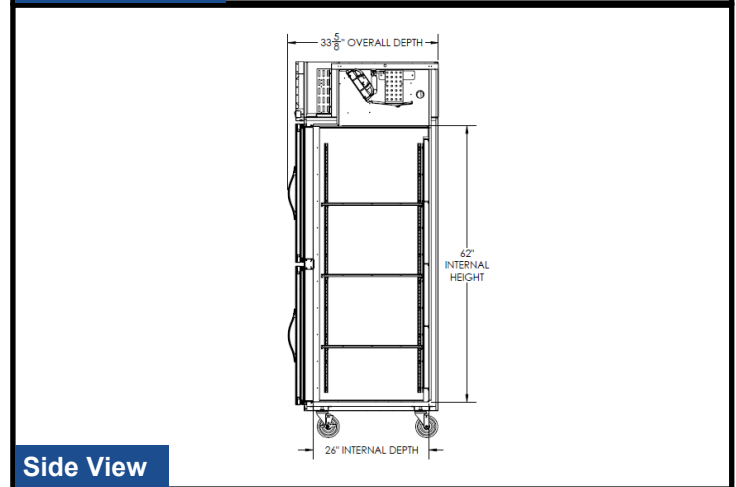
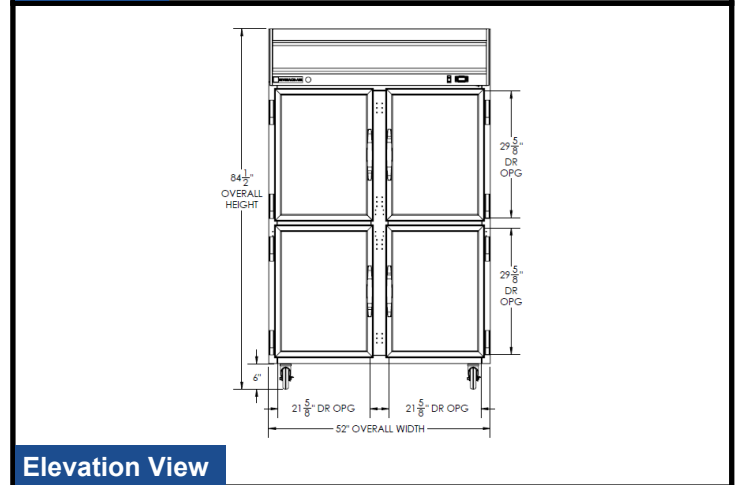
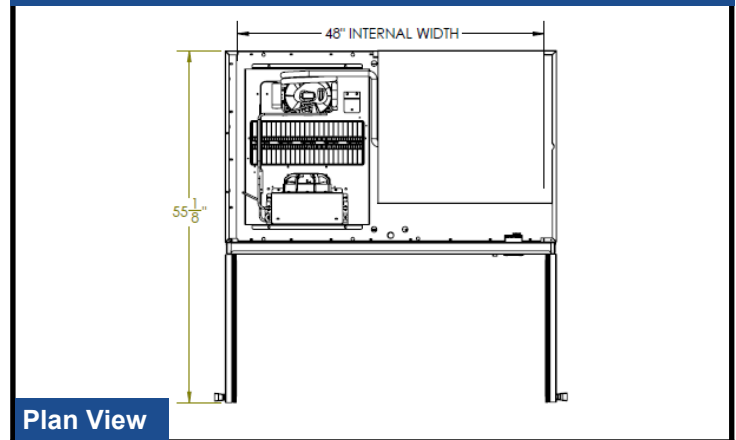
# BEVERAGE-AIR

| MODEL                            | HRPS2-1HG             |
|----------------------------------|-----------------------|
| <b>EXTERNAL DIMENSIONAL DATA</b> |                       |
| Width Overall                    | 52"                   |
| Depth Overall with Handle        | 33 5/8"               |
| Height Overall with 6" Casters   | 84 1/2"               |
| Number of Doors                  | 4                     |
| Depth with Door Open 90 °        | 55 1/8"               |
| Door Opening (in)                | 21 5/8" x 29 5/8" (4) |
| <b>INTERNAL DIMENSIONAL DATA</b> |                       |
| NET Capacity (cubic ft.)         | 46.88                 |
| Internal Width Overall (in)      | 48"                   |
| Internal Depth Overall (in)      | 26"                   |
| Internal Height Overall (in)     | 62"                   |
| Number of Shelves                | 6                     |
| <b>ELECTRICAL DATA</b>           |                       |
| Full Load Amperes 115/60/1       | 8.4                   |
| <b>REFRIGERATION DATA</b>        |                       |
| Horsepower                       | 1/3                   |
| <b>WEIGHT DATA</b>               |                       |
| Gross Weight                     | 571 lbs               |
| Height - Crated                  | 87 1/2"               |
| Width - Crated                   | 55"                   |
| Depth - Crated                   | 35"                   |

## Top Mount Reach-In Refrigerator

Model: HRPS2-1HG

### Model Views



### ELECTRICAL CONNECTION



115/60/1  
NEMA-5-15P

Units pre-wired at factory and include 8' long cord and plug set.



an Ali Group Company



The Spirit of Excellence

3779 Champion Blvd., Winston-Salem, NC 27105  
1-888-845-9800 Fax: 1-336-245-6453  
Beverage-Air.com sales@bevair.com