



# BEVERAGE-AIR

Project: \_\_\_\_\_

AIA#

Item: \_\_\_\_\_

Location: \_\_\_\_\_

SIS#

Approved: \_\_\_\_\_

## LUMAVUE™ MERCHANDISERS

LV27HC Hinged Door Model  
Hydrocarbon Series

### MODELS:

LV27HC-1-B  
LV27HC-1-W



**LV27HC-1-B**  
(shown with 4 shelves)

**3 Year Parts/Labor Warranty**

**Additional 2 Year Compressor Warranty**

### CABINET CONSTRUCTION

- Standard cabinet exterior finish is heavy duty steel with a baked on durable coating - choose from black or white
- Heavy duty interior construction includes white coated steel walls
- Full electronic control
- Modern one piece grille
- Double pane lowE argon filled glass doors feature inside and outside panes that are tempered for added safety
- Hold open feature is standard
- Five epoxy coated shelves per section, standard
- Brightly lighted sign panel
- LED lighting
- Maintains product temperatures between 32°-40°F
- Certified for open food product

### OPTIONS & ACCESSORIES

- Gravity flo kits
- Can roller
- Extra shelves
- Sign options

### REFRIGERATION SYSTEM

- Refrigeration system uses R290 refrigerant to comply with all environmental concerns
- Automatic, non-electric evaporator
- Epoxy coated evaporator coil

LV27HC Lumavue™ Merchandiser: Hinged Door Models



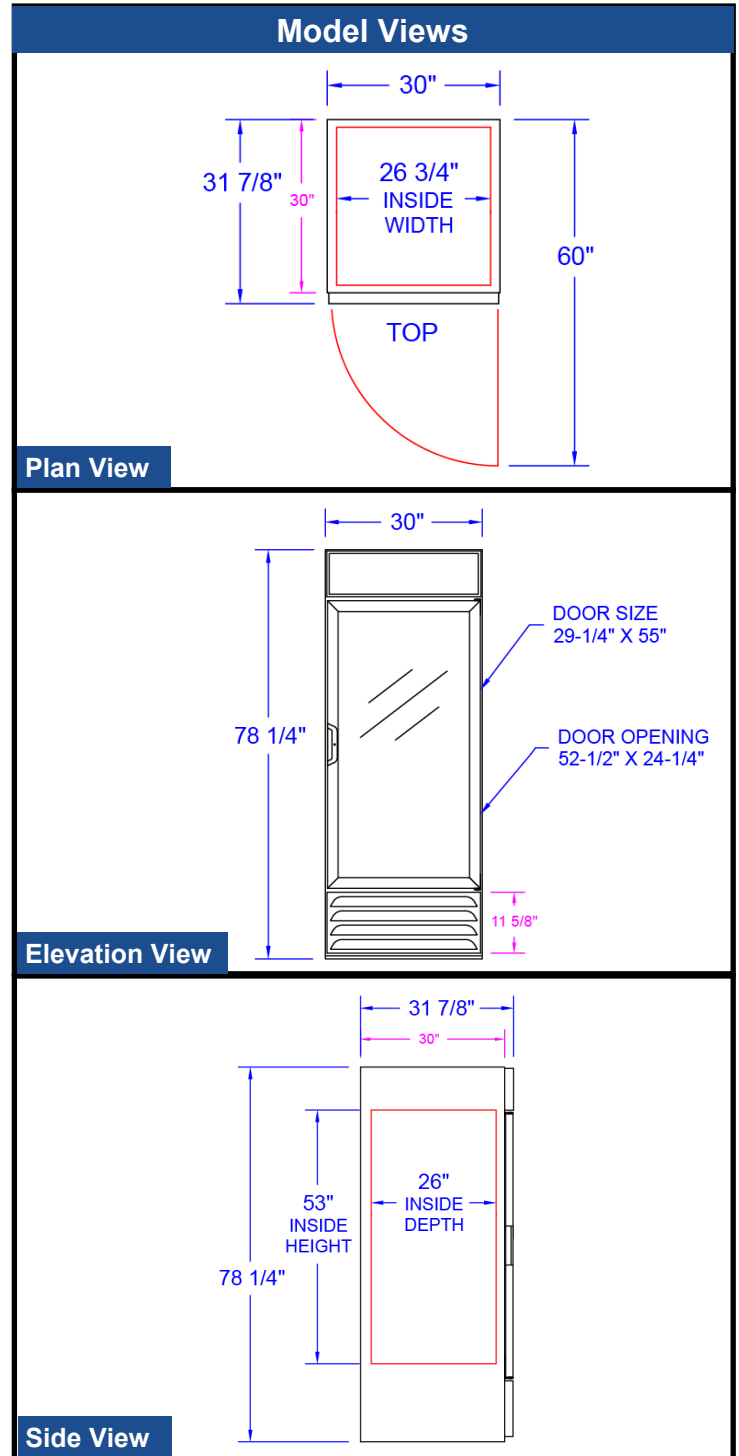
3779 Champion Blvd., Winston-Salem, NC 27105  
1-888-845-9800 Fax: 1-336-245-6453  
Beverage-Air.com sales@bevair.com



# BEVERAGE-AIR

## Glass Door Merchandisers - Hinged Door Models Models: LV27HC-1-B, LV27HC-1-W

MODEL	LV27HC-1-B	LV27HC-1-W
<b>EXTERNAL DIMENSIONAL DATA</b>		
Width Overall	30"	30"
Depth Overall	31 7/8"	31 7/8"
Height Overall	78 1/4"	78 1/4"
Number of doors	1	1
Shelf Area	633.63	633.63
<b>INTERNAL DIMENSIONAL DATA</b>		
NET Capacity (cubic ft.)	25.88	25.88
Internal Width Overall (in)	26 3/4"	26 3/4"
Internal Depth Overall (in)	26"	26"
Internal Height Overall—(in)	53"	53"
Number of shelves	5	5
<b>ELECTRICAL DATA</b>		
Full Load Amperes 115/60/1	3	3
<b>REFRIGERATION DATA</b>		
Horsepower	1/4	1/4
<b>WEIGHT DATA</b>		
Gross Weight Crated lbs (kgs)	373 lbs (169 kgs)	373 lbs (169 kgs)
Height - Crated	85 1/2"	85 1/2"
Width - Crated	33"	33"
Depth - Crated	35"	35"



### ELECTRICAL CONNECTION

Units pre-wired at factory and include 8' long cord and plug set.



115/60/1  
NEMA-5-15P



an Ali Group Company



The Spirit of Excellence

3779 Champion Blvd., Winston-Salem, NC 27105  
1-888-845-9800 Fax: 1-336-245-6453  
Beverage-Air.com sales@bevair.com