



# BEVERAGE-AIR

3779 Champion Blvd., Winston-Salem, NC 27105  
1-888-845-9800 Fax# 1-336-245-6453  
<http://www.Beverage-Air.com>

## Commercial Refrigeration Equipment General Specification

Item No. \_\_\_\_\_  
Quantity \_\_\_\_\_

### BUNKERS FROZEN NOVELTY FREEZERS SLANT TOP SERIES

**MODELS:**  
NC27-1-W  
NC33-1-W  
NC41-1-W  
NC49-1-W

#### NC SERIES—SLANT TOP NOVELTY CASE

Used for merchandising and storage of frozen food and novelty ice creams.

#### SPECIAL FEATURES

- Class 4+ performance (95°F/70% R.H.)
- Low energy consumption
- Adjustable thermostat
- Operating temperature of 0°F.
- Angle top design with Low-e tempered glass lids
- Lids are easily removable.
- Maintenance free pre condenser
- Prepainted steel cabinet with injected CFC-free foam insulation
- Dual cap tube design
- Static skin condenser
- Round exterior edges
- Accessories included: thermometer, baskets and divider, lid lock and keys, high quality heavy duty casters, drain plug for easy cleaning
- Accessories available: 2 Ring Tub (Part # 2RINGTUB)



**NC27-1-W**

#### ELECTRICAL CONNECTION

Units pre-wired at factory and include cord and plug set.



115/60/1  
NEMA-5-15P



**NC33-1-W**

**NC41-1-W**

**NC49-1-W**

\*Note: Overall heights of casters may vary with different types of casters depending upon caster manufacturer designations.



Intertek Intertek

Available From:

Note: Not all markings may apply to all model variations.

Model Specified \_\_\_\_\_

Store# \_\_\_\_\_

Location \_\_\_\_\_

Quantity \_\_\_\_\_



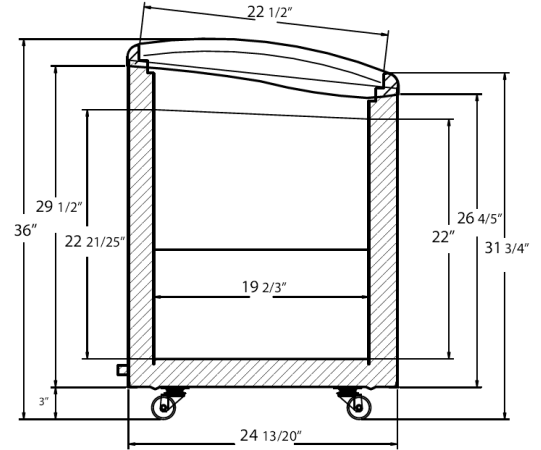
**BEVERAGE-AIR**

**Bunkers Frozen Novelty Freezers**

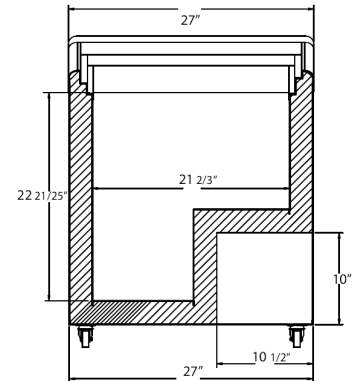
Models: NC27-1-W, NC33-1-W, NC41-1-W, NC49-1-W

MODEL	NC27-1-W	NC33-1-W	NC41-1-W	NC49-1-W
<b>EXTERNAL DIMENSIONAL DATA</b>				
Length Overall (inches)	27"	33"	41"	49"
Length Overall (mm)	686	838	1041	1245
Depth Overall (inches)	25"	25"	25"	25"
Depth Overall (mm)	635	635	635	635
Height Rear— (inches)	36"	36"	36"	36"
Height Rear— (mm)	914	914	914	914
Height Front— (inches)	31 3/4"	31 3/4"	31 3/4"	31 3/4"
Height Front— (mm)	807	807	807	807
Number of sliding lids	2	2	2	2
<b>INTERNAL DIMENSIONAL DATA</b>				
NET Capacity (cubic ft.)	4.7	5.7	8.7	10.9
NET Capacity (Liters)	133	161	246	309
Number of baskets	3	3	4	5
<b>ELECTRICAL DATA</b>				
Electrical input	120 V	120 V	120 V	120 V
Amps	2.0	4.8	4.8	5.2
<b>REFRIGERATION DATA</b>				
Horsepower	1/5	1/4	1/4	1/3
<b>WEIGHT DATA</b>				
Weight (lbs)	142	145	180	200
Weight (kg)	64	66	82	91
Truckload Qty.—53' Truck	126	88	84	72

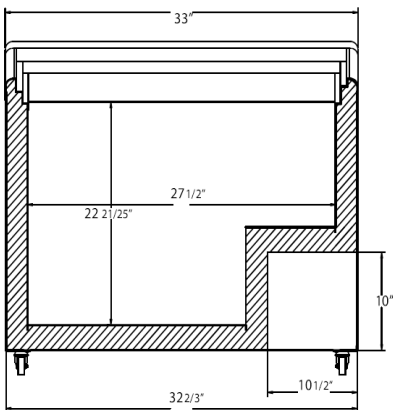
**PLAN VIEWS**



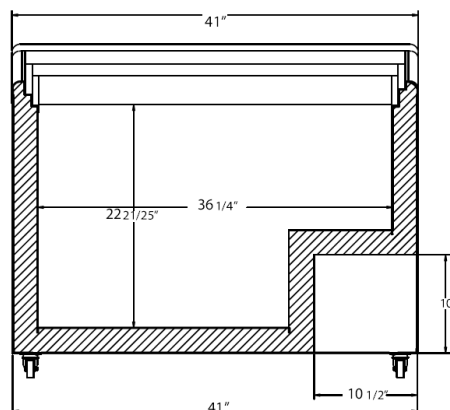
**COMMON END VIEW**



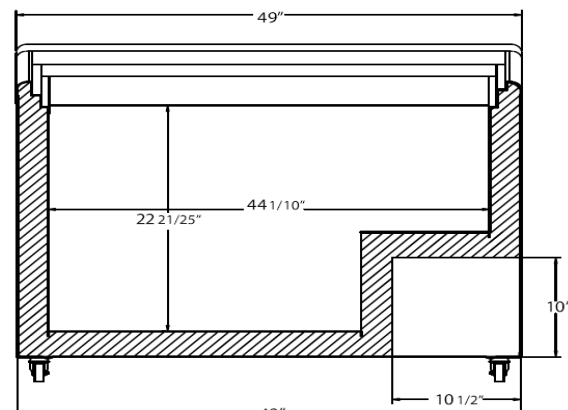
**NC27 FRONT VIEW**



**NC33 FRONT VIEW**



**NC41 FRONT VIEW**



**NC49 FRONT VIEW**

**BEVERAGE-AIR® CORPORATION**

3779 Champion Blvd. • Winston-Salem, NC 27105 USA • (336) 245-6400 • Fax (336) 245-6453 • (888) 845-9800 • www.beverage-air.com

Specifications are subject to change without prior notice. 06/10