



BEVERAGE-AIR

Project: _____

AIA#

Item: _____

Location: _____

SIS#

Approved: _____

UCR UNDERCOUNTER

UCR60AHC Undercounter Refrigerator
Hydrocarbon Series

MODELS:
UCR60AHC



UCR60AHC

3 Year Parts/Labor Warranty
Additional 2 Year Compressor Warranty

CABINET CONSTRUCTION

- Stainless steel front, sides, top, door(s), (*galvanized steel back & bottom*)
- Interior liner is made of corrosion resistant aluminum
- Full electronic control
- Undercounter feature a 1/2" thick sub-top
- Interior thermometer is standard
- Self-closing doors with 120° stay-open feature, on cartridge style hinges
- Easy door removal for service and cleaning
- Magnetic gasket attached to each door for positive seal
- Painted aluminum door handle(s)
- 6" Casters, two (2) with brakes standard
- Two epoxy-coated steel wire shelves per section standard
- Field reversible door

OPTIONS & ACCESSORIES

- Stainless steel interior available
- Stainless steel back
- Cutting board top option
- Solid door(s) with locks
- Glass door(s) with lock
- Shelf dividers
- 6" Legs
- 3" Casters
- Low profile casters
- Foot pedal door opener

REFRIGERATION SYSTEM

- Refrigeration system uses R290 refrigerant to comply with all environmental concerns
- Automatic, non-electric evaporator
- System is serviceable from rear
- Epoxy coated evaporator coil

UCR60AHC Undercounter Refrigerator: Food Prep Series



3779 Champion Blvd., Winston-Salem, NC 27105
1-888-845-9800 Fax: 1-336-245-6453
Beverage-Air.com sales@bevair.com



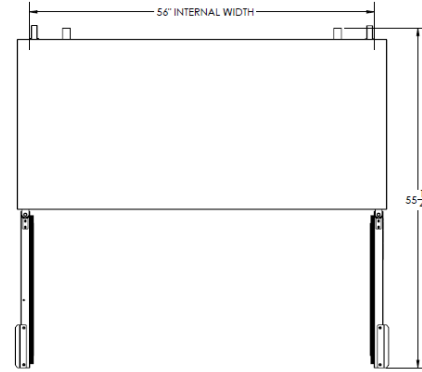
BEVERAGE-AIR

| MODEL | UCR60AHC |
|----------------------------------|------------------------------------|
| EXTERNAL DIMENSIONAL DATA | |
| Width Overall | 60" |
| Depth Overall | 32" |
| Height Overall with 6" casters | 34 5/8" |
| Number of Doors | 2 |
| Depth with Door Open 90° | 55 1/4" |
| Door Opening (in) | 22 5/8" X 21 5/8" |
| Shelf Area (sq. in) | Upper 439 21/64" Lower 386 1/8" |
| INTERNAL DIMENSIONAL DATA | |
| NET Capacity (cubic ft.) | 14.75 |
| Internal Width Overall (in) | 56" |
| Internal Depth Overall (in) | 15 3/8" |
| Internal Height Overall (in) | 23" |
| Number of Shelves | 4 |
| ELECTRICAL DATA | |
| Full Load Amperes 115/60/1 | 3 |
| REFRIGERATION DATA | |
| Horsepower | 1/5 |
| Capacity (BTU/Hr)* | 1350 |
| WEIGHT DATA | |
| Gross Weight (Crated lbs) | 290 lbs |
| Height - Crated | 34" |
| Width - Crated | 62" |
| Depth - Crated | 32" |

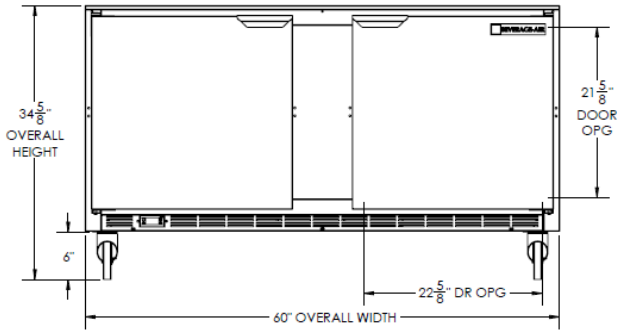
Undercounter Refrigerators

Models: UCR60AHC

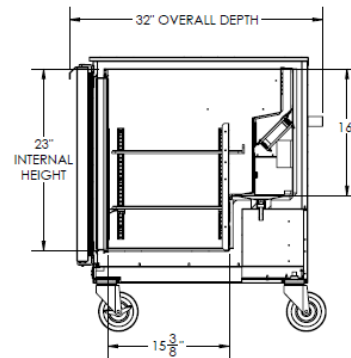
Model Views



Plan View



Elevation View



Side View

ELECTRICAL CONNECTION



115/60/1
NEMA-5-15P

Units pre-wired at factory and include 8' long cord and plug set.



an Ali Group Company



The Spirit of Excellence

3779 Champion Blvd., Winston-Salem, NC 27105
1-888-845-9800 Fax: 1-336-245-6453