



BEVERAGE-AIR

Project: _____

AIA#

Item: _____

Location: _____

SIS#

Approved: _____

UCRD UNDERCOUNTER WITH DRAWERS

UCRD27AHC-2 Undercounter Refrigerator

Hydrocarbon Series

MODELS:

UCRD27AHC-2



UCRD27AHC-2

3 Year Parts/Labor Warranty
Additional 2 Year Compressor Warranty

CABINET CONSTRUCTION

- Stainless steel front, sides, top and drawer(s), (*galvanized back & bottom*)
- Interior liner is made of corrosion resistant aluminum
- Full electronic control
- Durable sub-top 1/2" insulated for added durability
- Magnetic gasket attached to each door for positive seal
- Painted aluminum door handle (s)
- 6" Casters, 2 with brakes standard
- Stainless steel drawer frames supported on telescoping drawer slides
- Drawer slides include locking mechanism that prevents drawer from being inadvertently pulled off cabinet
- Refrigerators operates at 36°– 38°F for optimum food preservation

OPTIONS & ACCESSORIES

- Stainless steel back and grille
- Stainless steel interior
- 6" Legs
- 3" Casters
- Low profile casters
- Remote

REFRIGERATION SYSTEM

- Refrigeration system uses R290 refrigerant to comply with all environmental concerns
- Automatic, non-electric evaporator
- System is serviceable from rear
- Epoxy coated evaporator coil

UCRD27AHC-2 Undercounter Refrigerator: Food Prep Series



3779 Champion Blvd., Winston-Salem, NC 27105

1-888-845-9800 Fax: 1-336-245-6453

Beverage-Air.com sales@bevair.com



BEVERAGE-AIR

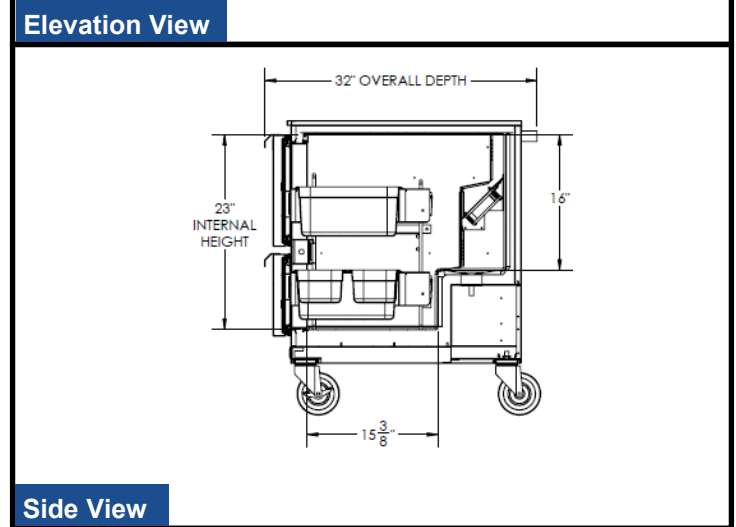
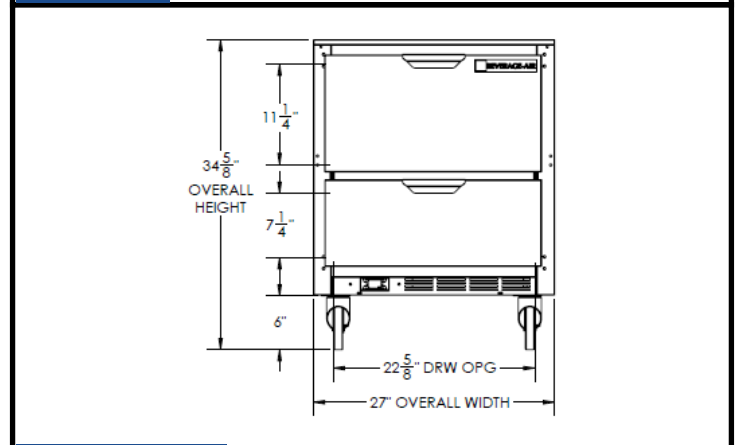
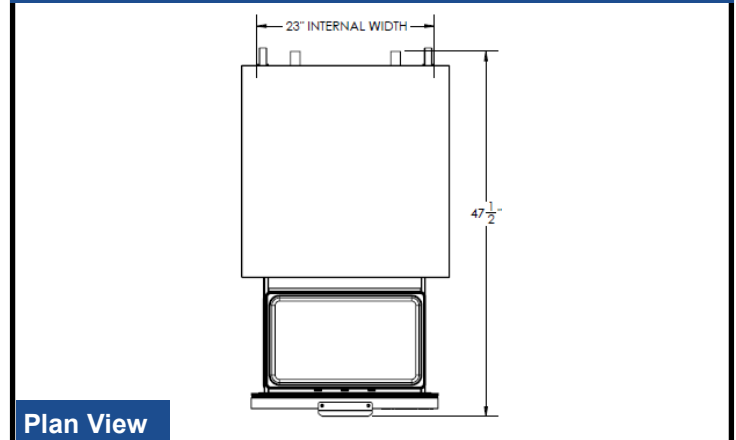
Undercounter Refrigerators

Two Drawers Model

Models: UCRD27AHC-2

MODEL	UCRD27AHC-2
EXTERNAL DIMENSIONAL DATA	
Width Overall	27"
Depth Overall with Handle & Bumper	32"
Height Overall with 6" Casters	34 5/8"
Number of Drawers	2
Depth with Drawer Open	47 1/2"
Drawer Opening (in)	Upper 22 5/8" x 11 1/4" Lower 22 1/2" x 7 1/4"
INTERNAL DIMENSIONAL DATA	
NET Capacity (cubic ft.)	5.5
Internal Width Overall (in)	23"
Internal Depth Overall (in)	23 1/2"
Internal Depth Useable (in)	Upper 18 1/2" Lower 15 3/8"
Internal Height Overall (in)	23"
ELECTRICAL DATA	
Full Load Amperes 115/60/1	2
REFRIGERATION DATA	
Horsepower	1/6
Capacity (BTU/Hr)*	993
WEIGHT DATA	
Gross Weight (Crated lbs)	196 lbs
Height - Crated	36"
Width - Crated	30"
Depth - Crated	33"

Model Views



ELECTRICAL CONNECTION



115/60/1
NEMA-5-15P

Units pre-wired at factory and include 8' long cord and plug set.



an Ali Group Company



The Spirit of Excellence

3779 Champion Blvd., Winston-Salem, NC 27105
1-888-845-9800 Fax: 1-336-245-6453