



# BEVERAGE-AIR

Project: \_\_\_\_\_

AIA#

Item: \_\_\_\_\_

Location: \_\_\_\_\_

SIS#

Approved: \_\_\_\_\_

## UCRD UNDERCOUNTER REFRIGERATOR

### UCRD93AHC Six Drawer Model

### Hydrocarbon Series

MODELS:

UCRD93AHC-6

**3 Year Parts/Labor Warranty**  
**Additional 2 Year Compressor Warranty**

### CABINET CONSTRUCTION

- Stainless steel front, sides, top and drawer(s), (*galvanized back & bottom*)
- Interior liner is made of corrosion resistant aluminum
- Full electronic control
- Durable sub-top 1/2" insulated for added durability
- Magnetic gasket attached to each door for positive seal
- Painted aluminum door handle (s)
- 6" Casters, 2 with brakes standard
- Stainless steel drawer frames supported on telescoping drawer slides
- Drawer slides include locking mechanism that prevents drawer from being inadvertently pulled off cabinet
- Refrigerators operates at 36°– 38°F for optimum food preservation



UCRD93AHC-6

### OPTIONS & ACCESSORIES

- Stainless steel back and grille
- Stainless steel interior
- 6" Legs
- 3" Casters
- Low profile casters
- Combo models

### REFRIGERATION SYSTEM

- Refrigeration system uses R290 refrigerant to comply with all environmental concerns
- Automatic, non-electric evaporator
- System is serviceable from rear
- Epoxy coated evaporator coil

UCRD93AHC-6 Undercounter Refrigerator: Food Prep Series



3779 Champion Blvd., Winston-Salem, NC 27105

1-888-845-9800 Fax: 1-336-245-6453

Beverage-Air.com sales@bevair.com



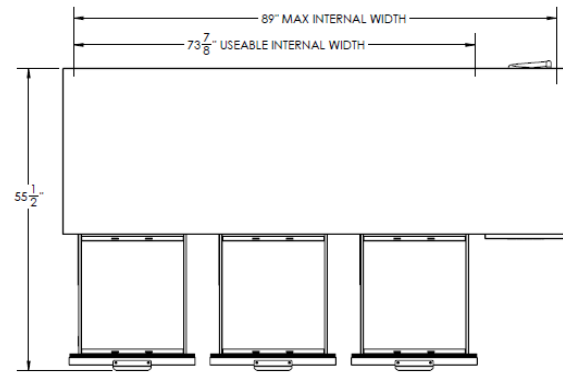
# BEVERAGE-AIR

MODEL	UCRD93AHC-6
<b>EXTERNAL DIMENSIONAL DATA</b>	
Width Overall	93"
Depth Overall with Handle	32 7/8"
Height Overall with 6" Casters	34 1/2"
Number of Drawers	6
Drawer Opening (in)	Upper 21 5/8" x 10 3/8" Lower 21 5/8" x 10 1/4"
Drawer Open Extended	55 1/2"
<b>INTERNAL DIMENSIONAL DATA</b>	
NET Capacity (cubic ft.)	29.7
Internal Width Overall (in)	73 7/8"
Internal Depth Overall (in)	26"
Internal Height Overall (in)	25"
<b>ELECTRICAL DATA</b>	
Full Load Amperes 115/60/1	5
<b>REFRIGERATION DATA</b>	
Horsepower	1/3
Capacity (BTU/Hr)*	2629
<b>WEIGHT DATA</b>	
Gross Weight (Crated lbs)	565 lbs
Height - Crated	45 1/2"
Width - Crated	96"
Depth - Crated	37"

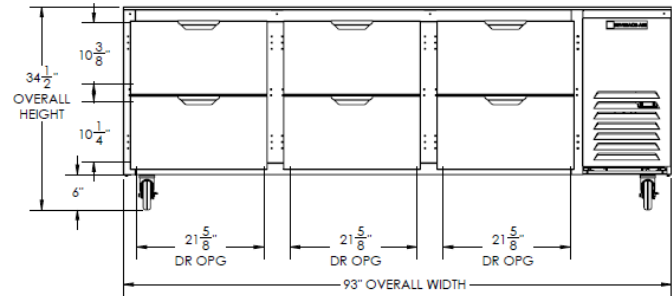
## Undercounter Refrigerators Six Drawer Model

Models: UCRD93AHC-6

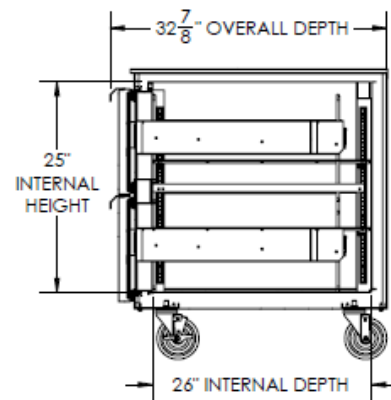
### Model Views



### Plan View



### Elevation View



### Side View

### ELECTRICAL CONNECTION



115/60/1  
NEMA-5-15P

Units pre-wired at factory and include 8' long cord and plug set.



an Ali Group Company



The Spirit of Excellence

3779 Champion Blvd., Winston-Salem, NC 27105  
1-888-845-9800 Fax: 1-336-245-6453