



# BEVERAGE-AIR

3779 Champion Blvd., Winston-Salem, NC 27105  
1-888-845-9800 Fax# 1-336-245-6453  
<http://www.Beverage-Air.com>

## Commercial Refrigeration Equipment General Specification

### VUEMAX SERIES—COUNTERTOP OPEN-AIR MERCHANDISER

Certified for packaged product. Ideal for gourmet shops, delicatessens, convenience stores and bakeries.

#### CABINET CONSTRUCTION

Exterior finish is heavy-duty steel with a baked on durable paint. Gray exterior finish with stylish impact bumper for added protection.

Foamed-in-place CFC and HCFC-free polyurethane insulation enhances the structural strength of the cabinet and helps increase energy efficiency.

Glass sides constructed to enhance product visibility from different angles.

#### REFRIGERATION

Whisper-quiet refrigeration system uses R134a refrigerant, which is CFC and HCFC-free for compliance with environmental safety concerns. Maintenance-free condenser slides out for easy service.

Electronic temperature control displays internal cabinet temperatures. Operating temperatures from 36°F to 38°F.

Intended for use in rooms having ambient conditions of 75°F/55% relative humidity.

#### ELECTRICAL

Excellent interior lighting enhances product illumination.

#### SPECIAL FEATURES

- Stylish impact bumper
- Custom graphics available. Contact factory for more information.

Item No. \_\_\_\_\_  
Quantity \_\_\_\_\_

## VUEMAX OPEN-AIR COUNTERTOP MERCHANDISER SERIES

MODELS:  
VM2



VM2

Available From:



Model Specified \_\_\_\_\_

Store# \_\_\_\_\_

Location \_\_\_\_\_

Quantity \_\_\_\_\_



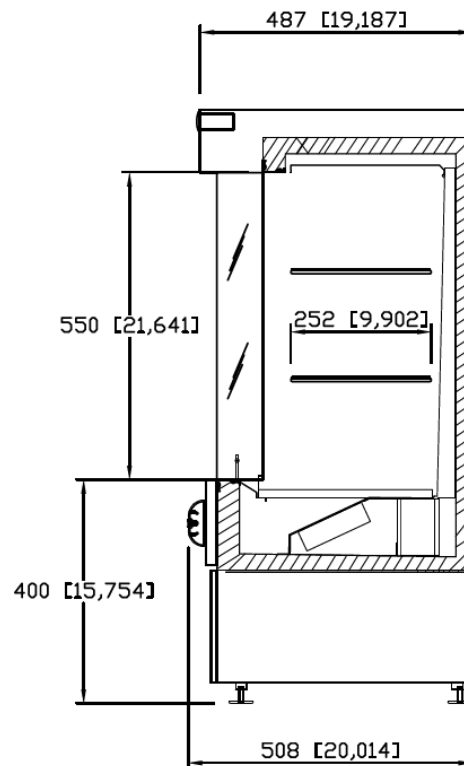
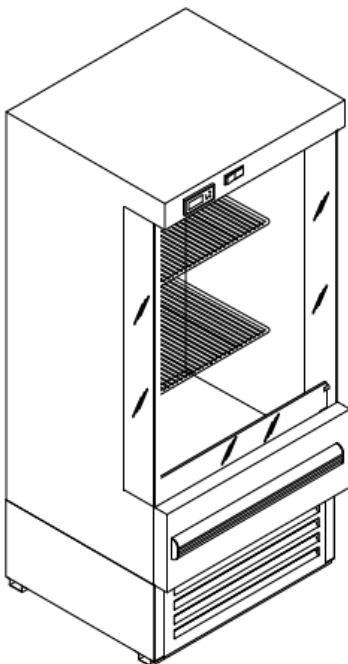
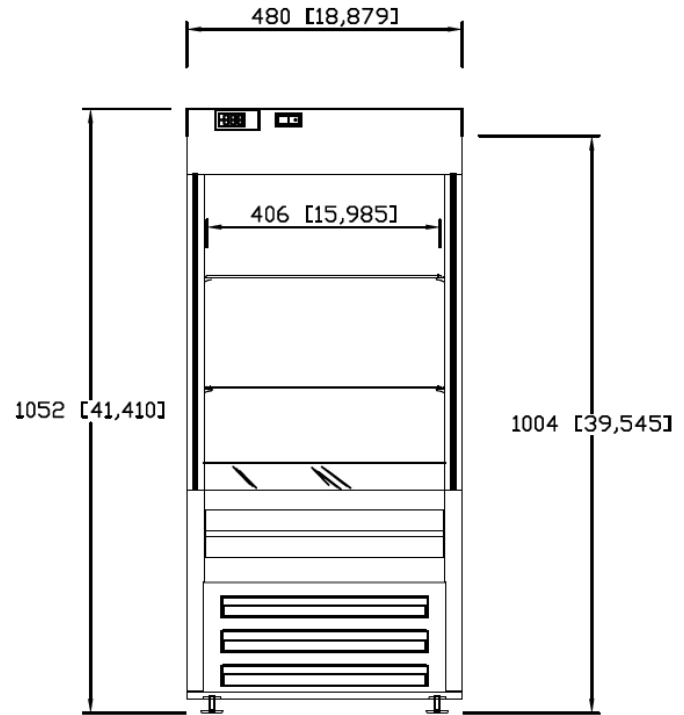
**BEVERAGE-AIR**

**VueMax Countertop Open-Air Merchandisers**

Models: VM2

MODEL	VM2
<b>EXTERNAL DIMENSIONAL DATA</b>	
Length Overall (inches)	19"
Length Overall (mm)	480
Depth Overall (inches)	20"
Depth Overall (mm)	487
Height Overall—(inches)	41 1/2"
Height Overall—(mm)	1052
<b>INTERNAL DIMENSIONAL DATA</b>	
NET Capacity (cubic ft.)	2
NET Capacity (Liters)	56.6
Number of shelves	2
<b>ELECTRICAL DATA</b>	
Full Load Amperes 115/60/1—Breaker required	15
Amp Draw	8
<b>REFRIGERATION DATA</b>	
Horsepower	1/3
<b>WEIGHT DATA</b>	
Gross Weight (Crated lbs)	130
Gross Weight (Crated kg)	59

**PLAN VIEWS**



**BEVERAGE-AIR® CORPORATION**

3779 Champion Blvd. • Winston-Salem, NC 27105 USA • (336) 245-6400 • Fax (336) 245-6453 • (888) 845-9800 • www.beverage-air.com

Specifications are subject to change without prior notice. 03/12