



# BEVERAGE-AIR

3779 Champion Blvd., Winston-Salem, NC 27105  
1-888-845-9800 Fax# 1-336-245-6453  
<http://www.Beverage-Air.com>

## Commercial Refrigeration Equipment General Specification

### 3 Year Parts/Labor Warranty Additional 2 Year Compressor Warranty

#### WTR SHALLOW DEPTH SERIES WORKTOP UNITS

Compact shallow depth worktop refrigerators with stainless steel exterior, heavy duty construction including durable worktop, 120° stay-open field reversible doors with cartridge style hinges & snap-in door gaskets.

#### CABINET CONSTRUCTION

Models are designed to fit in limited spaces with stainless steel exterior and aluminum interior. Heavy duty construction with durable 1 1/2" thick 16 gauge stainless steel worktop and 2" thick CFC and HCFC-free foamed-in-place polyurethane insulation. Cartridge style hinges with black anodized aluminum pull style door handles and 120° stay-open door feature.

Snap-in-place vinyl magnetic gaskets.

Standard options: 6" high casters\* and 2 steel wire epoxy coated shelves per door section.

#### REFRIGERATION

Balanced interior forced air system with high humidity evaporator coils. Refrigeration system operates at 36° to 38°F for optimal food preservation. Refrigerators utilize environmentally friendly R134a refrigerant, which is CFC and HCFC-free providing full compliance with environmental safety standards.

#### ELECTRICAL

Units wired at factory and ready for connection to a 115/60/1 phase, 15 amp dedicated outlet. 8' long cord and plug set included.

#### AVAILABLE ACCESSORIES

- Shelf dividers
- Overshelf kits
- Composite and poly cutting boards

#### OPTIONAL UPGRADES

- LED lighting (glass door refrigerators)
- Stainless steel interior
- Door locks
- Left hand hinge door(s) (excludes WTR34Y)
- Left hinge door(s) & 3" casters packed
- Door thermometer

Item No. \_\_\_\_\_  
Quantity \_\_\_\_\_

## SHALLOW DEPTH WORKTOP REFRIGERATORS FOOD PREPARATION SERIES

MODELS:  
WTR20Y  
WTR34Y



WTR20Y



WTR34Y

*Units shown with 6" casters;  
3" casters or 6" legs optional;  
no charge when specified on order*

#### ELECTRICAL CONNECTION

Units pre-wired at factory and include 8' long cord and plug set.



115/60/1  
NEMA-5-15P



Available From:

<b>Model Specified</b> _____	<b>Store#</b> _____
<b>Location</b> _____	<b>Quantity</b> _____

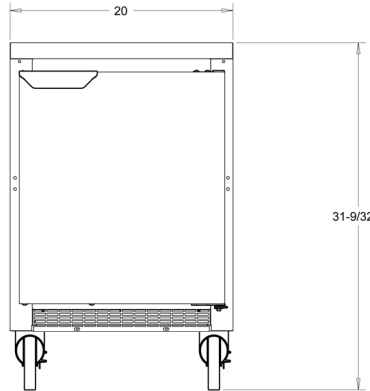


**BEVERAGE-AIR**

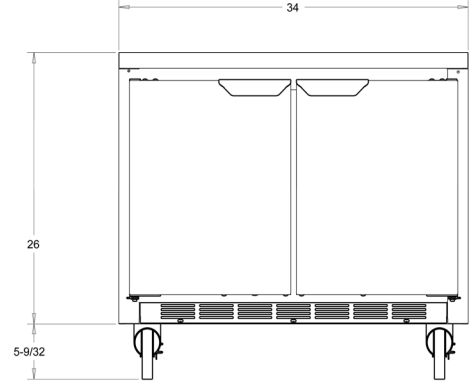
**Shallow Depth  
Worktop Refrigerators**  
Models: WTR20Y, WTR34Y

MODEL	WTR20Y	WTR34Y
<b>EXTERNAL DIMENSIONAL DATA</b>		
Length Overall (inches)	20"	34"
Length Overall (mm)	508	864
Depth Overall (inches) - Includes handle	22 17/32"	22 23/32"
Depth Overall (mm) - Includes handle	572	577
Height Overall— on 6" casters (inches)	31 9/32"	31 9/32"
Height Overall—on 6" casters (mm)	795	795
Depth with Door Open 90 °	40 1/2"	38"
Clear Door Opening (inches)	15 3/4" x 18 3/16"	13/ 1/8" x 18"
Number of doors	1	2
<b>INTERNAL DIMENSIONAL DATA</b>		
NET Capacity (cubic ft.)	2.7	5.5
NET Capacity (Liters)	77	156
Internal Length Overall (inches)	16"	29 3/8"
Internal Length Overall (mm)	406	746
Internal Depth Overall (inches)	13"	17"
Internal Depth Overall (mm)	330	432
Internal Height Overall (inches)	19"	19"
Internal Height Overall (mm)	483	483
Number of shelves	2	4
<b>ELECTRICAL DATA</b>		
Full Load Amperes 115/60/1	3.0	4.0
<b>REFRIGERATION DATA</b>		
Horsepower	1/6	1/5
<b>WEIGHT DATA</b>		
Gross Weight (Crated lbs)	119	165
Gross Weight (Crated kg)	54	75

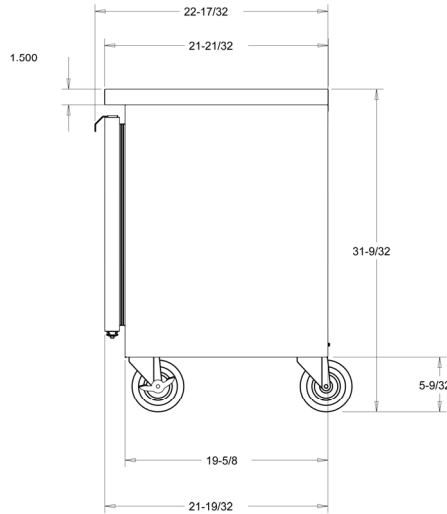
**PLAN VIEWS**



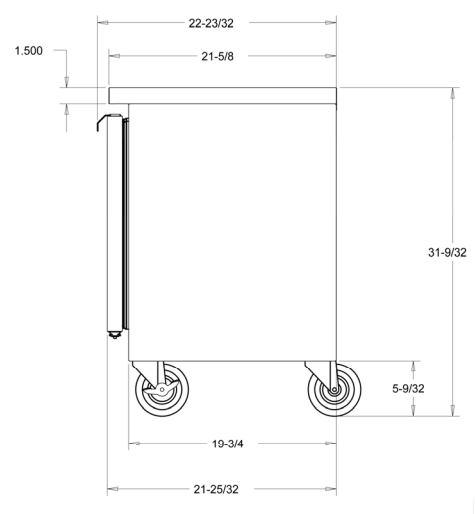
**WTR20Y FRONT**



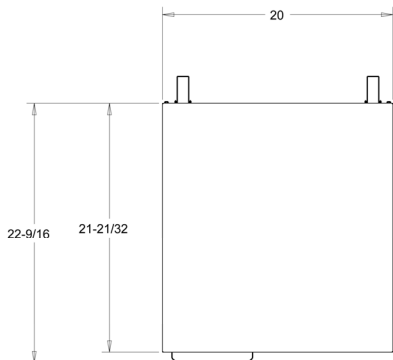
**WTR34Y FRONT**



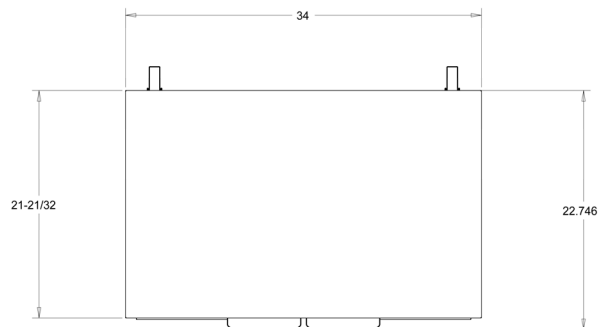
**WTR20Y END**



**WTR34Y END**



**WTR20Y TOP**



**WTR34Y TOP**



**BEVERAGE-AIR® CORPORATION**

3779 Champion Blvd. • Winston-Salem, NC 27105 USA • (336) 245-6400 • Fax (336) 245-6453 • (888) 845-9800 • www.beverage-air.com

Specifications are subject to change without prior notice. 5/13