



BEVERAGE-AIR

Project: _____

AIA#

Item: _____

Location: _____

SIS#

Approved: _____

WTR WORKTOP REFRIGERATOR

WTR93AHC Worktop Refrigerators

Hydrocarbon Series

MODELS:
WTR93AHC

WTR93AHC Worktop Refrigerator: Food Prep Series

3 Year Parts/Labor Warranty
Additional 2 Year Compressor Warranty

CABINET CONSTRUCTION



WTR93AHC

- Stainless steel front, sides, door(s), (*galvanized back & bottom*)
- Interior liner is made of corrosion resistant aluminum
- Stainless steel top for added durability
- Full electronic control
- Interior thermometer is standard
- Formed in place backsplash
- Self-closing doors with 120° Stay-open feature, on cam-lift hinges
- Easy door removal for service and cleaning
- Magnetic gasket attached to each door for positive seal
- Painted aluminum door handle(s)
- 6" Casters, two (2) with brakes standard
- Two epoxy-coated steel wire shelves per section standard
- Field-reversible door(s)

OPTIONS & ACCESSORIES

- Stainless steel back and grille
- Stainless steel interior
- Solid door(s) with locks
- Drawers models available
- 6" Legs
- 3" Casters
- Low profile casters
- Foot pedal door opener

REFRIGERATION SYSTEM

- Refrigeration system uses R290 refrigerant to comply with all environmental concerns
- Automatic, non-electric evaporator
- System is serviceable from rear
- Epoxy coated evaporator coil



3779 Champion Blvd., Winston-Salem, NC 27105
1-888-845-9800 Fax: 1-336-245-6453
Beverage-Air.com sales@bevair.com



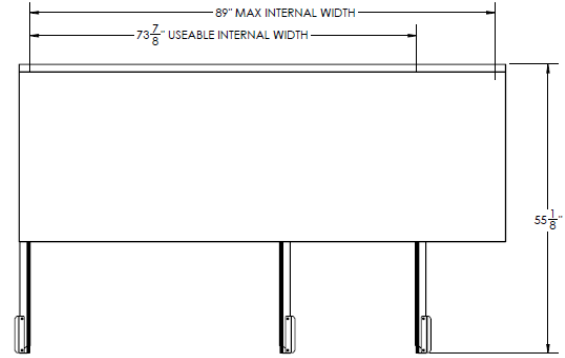
BEVERAGE-AIR

MODEL	WTR93AHC
EXTERNAL DIMENSIONAL DATA	
Width Overall	93"
Depth Overall	34"
Height Overall with 6" Casters	39 1/2"
Number of Doors	3
Depth with Door Open 90 °	55 1/8 "
Solid Door Opening (in)	21 5/8" x 23 5/8"
Shelf Area (sq. in)	552 1/2"
INTERNAL DIMENSIONAL DATA	
NET Capacity (cubic ft.)	29.7
Internal Width Overall (in)	73 7/8"
Internal Depth Overall (in)	26"
Internal Height Overall (in)	25"
Number of Shelves	6
ELECTRICAL DATA	
Full Load Amperes 115/60/1	5
REFRIGERATION DATA	
Horsepower	1/3
Capacity (BTU/Hr)*	2629
WEIGHT DATA	
Gross Weight (Crated lbs)	528 lbs
Height - Crated	45 1/2"
Width - Crated	96"
Depth - Crated	37"

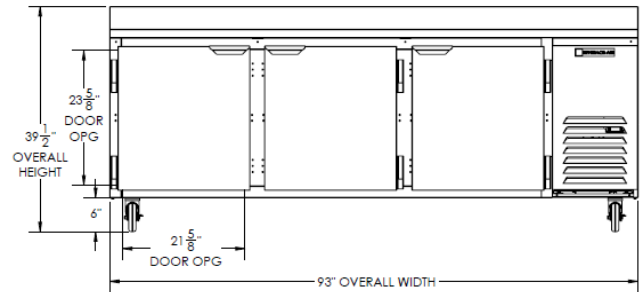
Worktop Refrigerator

Models: WTR93AHC

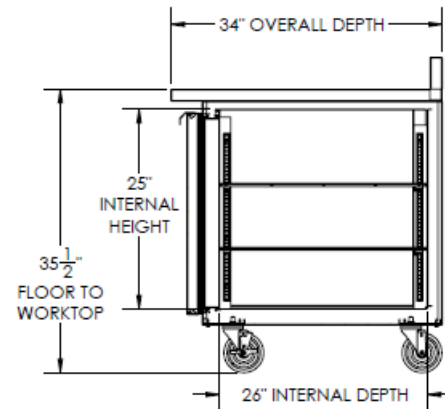
Model Views



Plan View



Elevation View



Side View

ELECTRICAL CONNECTION



115/60/1
NEMA-5-15P

Units pre-wired at factory and include 8' long cord and plug set.



an Ali Group Company



The Spirit of Excellence

3779 Champion Blvd., Winston-Salem, NC 27105
1-888-845-9800 Fax: 1-336-245-6453