

# E-Z SERVE™ CONDIMENT CARTS



Model #70270



Model #70200

Uses the simplicity of manual pumps with convenient, economical 3 gallon (11 L) Volpak condiment pouches.

- ▶ Convenient and economical system reduces labor and waste.
  - Reduces labor to refill and clean pumps and containers by as much as 75%.
  - Eliminates theft and waste up to 30%.
  - Decreases food costs up to 30%.
- ▶ Safe and sanitary method of dispensing.
  - Sealed, sanitary bags are vacuum packed.
  - Reduced risk of contamination of bacteria and customer intervention.
  - Easier and safer to handle than cans.
- ▶ Handles various thicknesses of condiments including dressings and tartar sauce.

## E-Z SERVE CONDIMENT CARTS | STAINLESS STEEL TOP & BASE OR WITH LAMINATE EXTERIOR

- ▶ Rolls to where you need it.
- ▶ No electrical power, no CO<sub>2</sub> bottle and no refrigeration needed. Operates with manual pump canisters.
- ▶ Pumps can be cleaned in place or disassembled for cleaning.
- ▶ Supply hoses will NOT deteriorate when exposed to acidic condiments nor become dry and brittle with age.
- ▶ One connector fits all 3 gallon (11 L) condiment pouches. Connectors are included.
- ▶ Ample interior working space for changing pouches, canisters and cleaning.
- ▶ Durable, easy-to-use dispensers are within reach of teens and adults.
- ▶ Cart is sized for maneuvering into elevators, down corridors and into serving areas.
- ▶ Locking doors provide security.
- ▶ Doors are located on the serving side for quick access when placed against a wall.
- ▶ Stainless steel interior and exterior are easy-to-clean and sanitize. Wipe down or steam clean inside and out.
- ▶ Choose from Group 2 or 3 laminate finishes, see page 108.

## Is a condiment pouch dispensing system right for your operation?

1. **What is your food product cost versus a 3 gallon Volpak pack of the same quality product?**  
The average cost of a 3 gallon (11 L) bulk pouch of ketchup is approx. \$3.75 per gallon.
2. **What are your labor costs to refill bottles or dispenser containers?**  
It takes approx. 5 minutes to refill an automated system.
3. **What are your labor costs to clean bottles or dispenser containers?**  
It takes approx. 15 minutes to clean an automated system.
4. **What is your waste? Consider theft, waste during cleaning, refilling, and freshness issues in your calculation.**  
When used correctly, less than 1% waste left in a 3 gallon (11 L) Volpak bulk pouch.



Snap-on connectors make changing bags easy. One connector fits all brands.

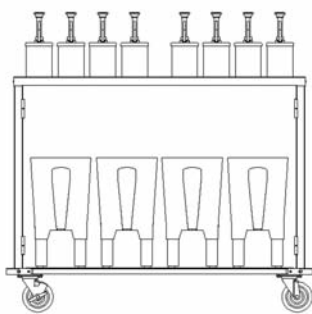


Lift-out bins simplify changing Volpak condiment pouches.

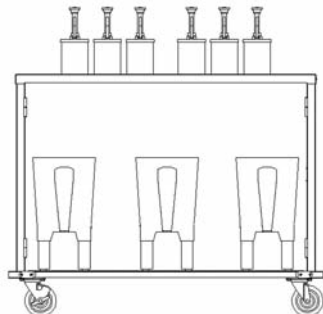


Convenient hand key screw clamps make hose removal easy.

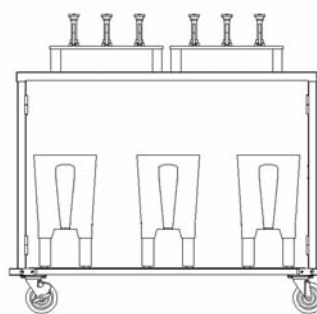
# E-Z SERVE™ CONDIMENT CARTS



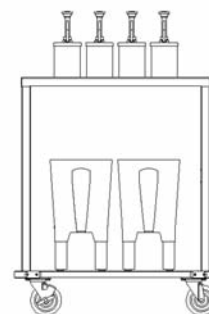
**Model 70200**  
Includes 8 manual pumps to dispense up to 4 condiments.



**Model 70210**  
Includes 6 manual pumps to dispense up to 3 condiments.



**Model 70270**  
Includes 12 manual pumps to dispense up to 3 condiments.



**Model 70220**  
Includes 4 manual pumps to dispense up to 2 condiments.

Custom configurations and base cabinets also available.

Model	Description	Overall Size			Ship Weight		Ship Cube		List Price \$
		W	L	H	Lbs.	(Kg)	Cu. ft.	(m <sup>3</sup> )	
70200	8 manual pumps Dispenses up to 4 products	27 <sup>1</sup> / <sub>2</sub> " (698)	50 <sup>1</sup> / <sub>4</sub> " 1276	49 <sup>1</sup> / <sub>2</sub> " 1257)	460	(208.7)	82.1	(2.32)	10,040.00
70210	6 manual pumps Dispenses up to 3 products	27 <sup>1</sup> / <sub>2</sub> " (698)	50 <sup>1</sup> / <sub>4</sub> " 1276	49 <sup>1</sup> / <sub>2</sub> " 1257)	460	(208.7)	82.1	(2.32)	8479.00
<b>NEW!</b> 70270	12 manual pumps Dispenses up to 3 products	27 <sup>1</sup> / <sub>2</sub> " (698)	50 <sup>1</sup> / <sub>4</sub> " 1276	49 <sup>1</sup> / <sub>2</sub> " 1257)	472	(214.5)	82.1	(2.32)	14,035.00
70220	4 manual pumps Dispenses up to 2 products	27 <sup>1</sup> / <sub>2</sub> " (698)	33" 838	49 <sup>1</sup> / <sub>2</sub> " 1257)	375	(168.9)	82.1	(2.32)	5964.00

Measurements in ( ) denote metric millimeters, unless otherwise specified.

**Freight Class: 125**

Top surface is 39" from floor

Lake-Glide Casters: 5" (127) - 2 swivel w/brake, 2 fixed, heavy-duty, extra-load.

Height from floor to bottom of cart 6<sup>3</sup>/<sub>4</sub>" (171).

Standard exterior finish: Stainless steel.

**OPTIONS INCLUDE:**

Color coded knobs screw onto pump mechanism, add **\$15.00 per pump**.

Stainless steel overshelf [12" x 39<sup>3</sup>/<sub>4</sub>" x 4 (305 x 1010 x 102)], add **\$695.00**.

GROUP 2 and Solid Color "Customer Choice" laminate finishes, see page 108, add **\$876.00**.

GROUP 3 custom laminate finishes are available, add **\$1101.00**.



Optional etched or color coded knobs easily identify condiments. Durable, plastic knobs screw onto the pump mechanism. Specify when ordering.



Prices effective 6.15.08