

Item # _____

Quantity _____

Deep Shelf Utility Carts

Heavy Duty 700 lb. Capacity - Stainless Steel



Model 727

Secure, Rugged Transport For Heavy Duty Loads

- 2½" (320 mm) deep shelves hold items securely in place.
- Angled "U" shaped steel frame provides extra strength needed for heavy duty jobs.
- 700 lb. (300 kg) capacity is ideal for continuous moving of heavy loads over various standard floor surfaces.
- Rugged 18 gauge reinforced stainless steel shelves are stain and rust resistant. Electronically welded for added strength.
- Easy to clean and sanitize, simply wipe down or steam clean.
- Leg and handle bumpers protect walls and furniture.
- NSF listed models available.

Spec. # _____

AIA # _____

Specifications

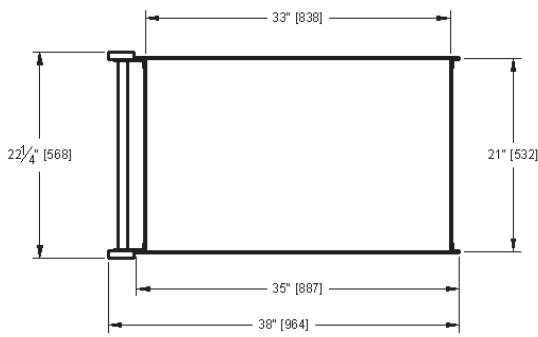
Unit shall be of fully welded stainless steel construction. Legs and frame shall be of U-frame design, eliminating the need for corner reinforcements. Leg/frame shall be .120 x 1" x 1" angle stainless steel. Shelves shall be of 18-gauge stainless steel and shall be welded to vertical leg frames. Shelves shall be double hemmed on all four edges for extra rigidity. Both shelves shall have 2½" upturned edges on all four sides to prevent items from rolling off. Unit shall have two each 5" (127 mm) diameter extra-load swivel casters with 1-1/4" (32 mm) wide non-marking polyurethane wheels, and two each 8" diameter extra-load wheels mounted to a fixed axle. Swivel casters shall be plate type and shall be bolted to an 18-gauge 5" (127 mm) wide stainless steel cross member with a galvanized reinforcement. Unit shall have push handle made of 18 gauge 1" O.D. stainless steel tubing. Handle mounting brackets shall be welded to vertical leg frame. Unit shall have two each bumpers mounted to handle ends and two each 6" (152 mm) vertical bumpers riveted to front legs.



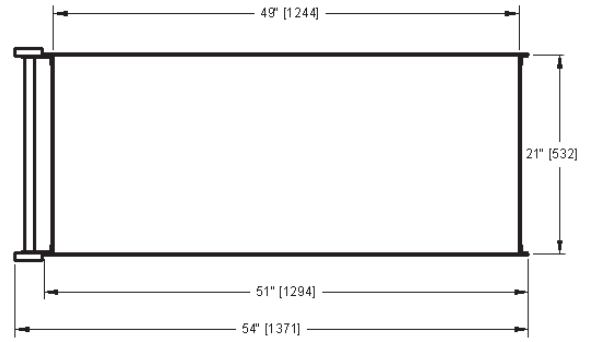
Lakeside Manufacturing, Inc.
4900 West Electric Avenue • West Milwaukee, WI 53219 U.S.A.
800-558-8565 • 414-902-6400 • Fax 414-902-6446 • www.eLakeside.com

Deep Shelf Utility Carts

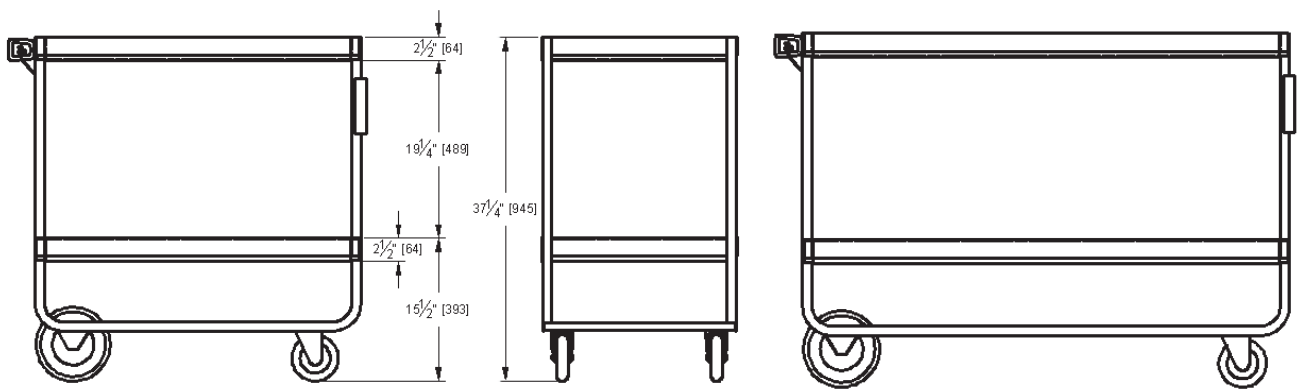
Heavy Duty 700 lb. Capacity - Stainless Steel



Model 727



Model 757



Dimensions

Model	NSF Model	Shelf Size		Shelf Clearance	Overall Size			Lake-Glide Wheels/Casters		Ship Weight	
		W	L		W	L	H	Type	Dia.	Lbs	(Kg)
727	527	21"	33"	19 1/4"	22 1/4"	38"	37 1/4"	2 Fixed	8"	64	(29)
		(533)	(838)	(489)	(532)	(964)	(945)	2 Swivel	5"		
757	557	21"	49"	19 1/4"	22 1/4"	54"	37 1/4"	2 Fixed	8"	87	(99)
		(533)	(1245)	(489)	(532)	(1371)	(945)	2 Swivel	5"		

Measurements in () denote metric millimeters, unless otherwise specified.

Spec. #

AIA #

Optional Accessories

- All 5" swivel casters



Lakeside Manufacturing, Inc.
 4900 West Electric Avenue • West Milwaukee, WI 53219 U.S.A.
 800-558-8565 • 414-902-6400 • Fax 414-902-6446 • www.eLakeside.com