

Portable Beverage Bar

Stainless Steel With Laminate Finish



Model 884



Attractive Exterior For A Classic Presentation

Construction

- All-welded stainless steel with choice of laminate exterior

Features

- Built-in 40 lb. ice bin with drain
- Removable stainless steel speed rail
- Durable waterproof laminate top with convenient mixing shelf
- Spacious storage areas
- Compact size for smaller serving areas
- Stainless steel construction provides years of service life.

Casters

- All-swivel 5" non-marking, 2 each with brake

Specifications

Unit shall be Lakeside Model 884 and shall be constructed of welded stainless steel for easy cleaning and sanitation. The exterior shall be durable Designer Series laminate over stainless steel. The top shall be constructed of 1-1/4" (32 mm) thick, waterproof laminate with black finish. The top shall feature a recessed stainless steel mixing shelf. Stainless steel interior shall have a generous work shelf with one, 40 lb. (18 kg.) capacity ice bin with drain. Interior shall have compartments for storage of beverages and supplies. Unit shall have one removable, 7-bottle speed rail constructed of stainless steel. Unit shall have 4 each, 5" (127 mm) Lake-Glide® casters - all swivel, 2 each with brake.

Spec. #

A/A #

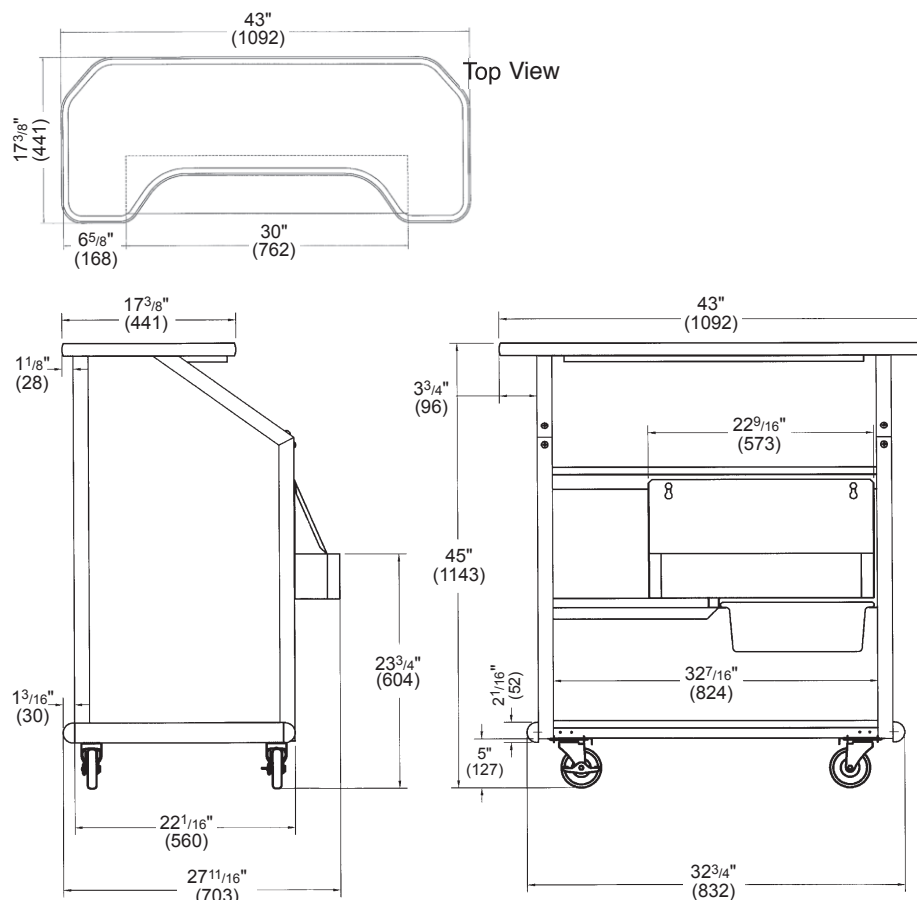


Lakeside Manufacturing, Inc.

4900 West Electric Avenue • West Milwaukee, WI 53219 U.S.A.
800-558-8565 • 414-902-6400 • Fax 414-902-6446 • www.eLakesideFoodservice.com

Portable Beverage Bar

Stainless Steel With Laminate Finish



AutoCAD drawings available through KCL CADalog

Dimensions

Overall Dimensions: 27³/₄" W x 43" L x 45" H (705mm W x 1092mm L x 1143mm H)
 Total Ice Capacity: 40 lb. (18 kg.)
 Case Weight: 333 lb. (151 kg.)
 Unit Weight: 185 lb. (83 kg.)

Optional Accessories

Custom laminate exterior finish:

Standard Exterior Finishes



Beige Suede



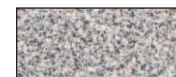
Red Maple



Black



Victorian Cherry



Gray Sand



Hard Rock Maple



Lakeside Manufacturing, Inc.

4900 West Electric Avenue • West Milwaukee, WI 53219 U.S.A.

800-558-8565 • 414-902-6400 • Fax 414-902-6446 • www.eLakesideFoodservice.com