

Owner's Manual

MF18W 18" Misting Fan



IMPORTANT SAFETY INFORMATION: Please carefully read this manual before attempting to install or use this misting fan. For your safety, comply with all safety instructions and warnings contained in this owner's manual to prevent personal injury or property damage.

To view the full line of Luma Comfort products, please visit www.lumacomfort.com.

Contents

Introduction 1

Product Benefits 1

Important Safety Information 1

Parts List 2

Assembly Instructions 3

Step 1: Assembling the Stand Pole & Fan Base 3

Step 2: Assembling the Fan Head..... 3

Operating Instructions 3

Maintenance..... 4

Cleaning the Misting Nozzles..... 4

Troubleshooting 4

Technical Support 5

Product Specifications 5

Warranty..... 6

Introduction

Thank you for purchasing this misting fan from Luma Comfort, the world leader in home appliances and home comfort products.

This owner's manual provides specific operating instructions for your misting fan. Use the misting fan only as instructed in this owner's manual.

Product Benefits

- Designed to cool areas such as patios, decks, back yards, greenhouses and more
- Constructed of heavy-gauge, anticorrosive metal for safety and durability
- Certified for outdoor use with GFCI plug
- Quiet, high-efficiency fan motor
- Fan head tilts for directional cooling
- Connects to any standard spigot or garden hose for continuous operation
- Adds moisture to dry environments and eliminates airborne dust particles

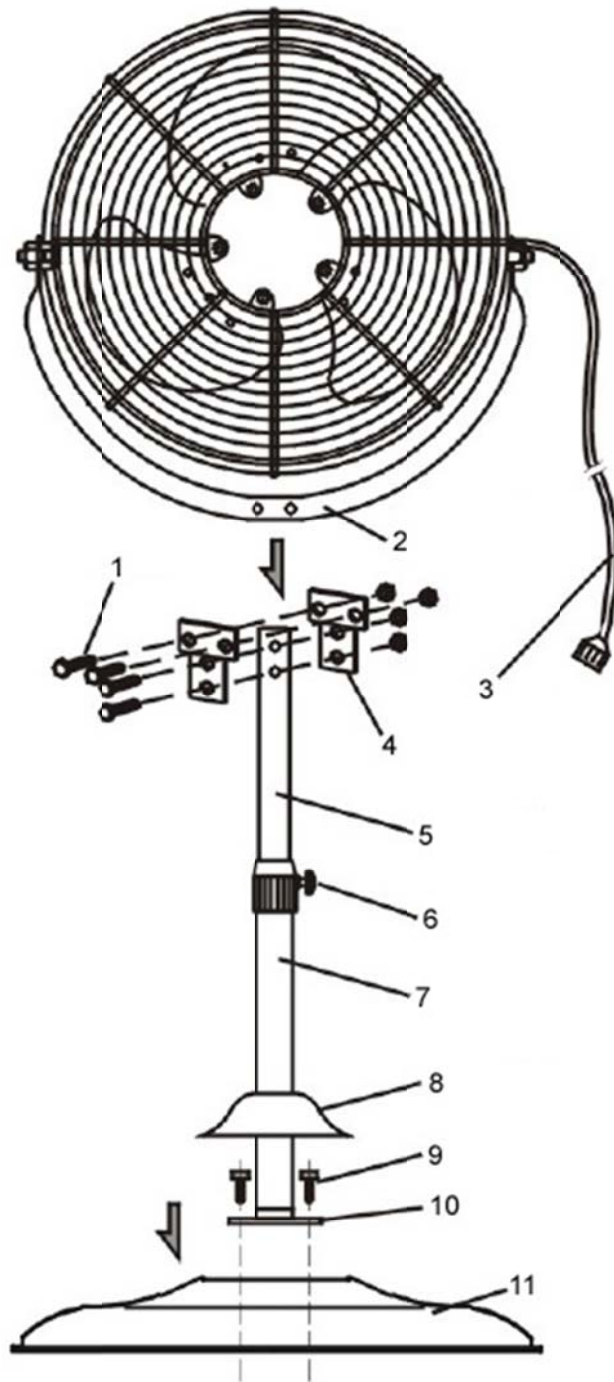
Important Safety Information

These instructions are not meant to cover every possible condition and situation that may occur. Please read all instructions before using this misting fan. Failure to carefully read all instructions may result in possible electric shock or fire hazard, and will void the manufacturer's warranty.

1. Use this misting fan only as instructed in this owner's manual. This fan is not designed for commercial use. Other uses may cause electric shock, injury or fire.
2. This fan is intended for outdoor use but can be used indoors without the misting feature.
3. Close supervision is required if this fan is used near children or pets.
4. To protect against electric shock, do not immerse this fan or its plug and cord in water.
5. For your safety, turn off the electrical supply before installing, moving or servicing your misting fan. Never make adjustments to the fan when the fan is in operation and always unplug the fan when it is not in use.
6. Do not use this misting fan with any solid state speed control devices.
7. To disconnect the fan from the power supply, tightly grip the fan's plug and pull it from the power outlet. Do not disconnect the power supply by pulling on the fan's power cord.
8. Avoid contact with any of the misting fan's moving parts.
9. Place the misting fan on a level surface.
10. This misting fan is intended to fit into a matching receptacle. Under no circumstances should the grounded plug be altered in any way. An improper connection can result in electric shock.
11. If possible, avoid using extension cords with this misting fan.
12. Do not insert objects or allow fingers to enter into the fan head, as this may cause electric shock or bodily injury. Do not block or tamper with the misting fan while it is in operation.
13. Do not place the fan near curtains, drapes, or any other materials that can get caught in the misting fan's grills.
14. Do not run the power cord under mats or carpeting, and do not cover the power cord with runners. Arrange the power cord away from room traffic and where it can be tripped over.
15. Do not operate this misting fan in the presence of flammable substances or explosives.
16. Do not place the fan near an open flame or cooking/heating appliances.
17. If the fan's plug or power cord is damaged, do not attempt to repair the components yourself. Please contact Luma Comfort's customer service hotline at 1-866-737-6390 or have the fan examined by an authorized service provider.

SAVE THESE INSTRUCTIONS

Parts List



1. Screws
2. Support tube
3. Water hose
4. Mounting plate
5. Inner tube
6. Height knob

7. Outer tube
8. Cover ring
9. Screws
10. Coupling
11. Fan base

Assembly Instructions

DO NOT plug in the fan before assembly. Carefully remove all packaging materials and retain for future storage/use. Make sure there is no residual foam left in any of the components. A wrench will be required to assemble this misting fan.

Step 1: Assembling the Stand Pole & Fan Base

- a. Attach the coupling to the fan base using the 4 provided screws.
- b. Loosen the height knob on the coupling and extend the inner tube to your desired fan height.
- c. Slide the cover ring the down the outer tube so that it rests on top of the fan base.
- d. Make sure the height knob is fully tightened before proceeding onto the next step.

Step 2: Assembling the Fan Head

- a. Locate the fan head and the support tube. These 2 parts will come fully assembled.
- b. Take the front mounting plate and the rear mounting plate and place them in the center of the support tube. Use the provided screws to connect the pieces together and make sure the connection is secure.
- c. Firmly attach the support tube to the inner tube using the 2 mounting screws and spring washers provided with the misting fan.

Operating Instructions

The Luma Comfort MF18W misting fan provides cooling through the natural power of evaporation. This misting fan has a special high pressure pump that generates water pressure while nozzles reduce this pressure to tiny droplets. This creates a fine mist that evaporates upon contact with the air and sunlight, resulting in a cooling effect of as much as 20 – 30°F!

Keep in mind that the effectiveness of this misting fan improves as the temperature rises, but in areas with high humidity levels, you may want to use the fan with the misting function turned off for best results.

1. Make sure the misting fan is not connected to a water supply until the fan has been turned on.
2. Place the misting fan on a flat, level surface.
3. Connect the misting fan's water hose to a compatible threaded tap, spigot or garden hose. You may need to attach one or both of the provided hose adapters to the hose before connecting the unit to a water supply.
4. Press the red button to power on the unit, and continue pressing it to select your desired fan speed.
5. Turn on the water supply.
6. To adjust the airflow, tilt the fan head to your desired angle. The fan head can be adjusted up or down.
7. Do not turn off the misting fan until you have turned off the water supply first. Failure to do so will result in water leaking from the front of the fan.
8. The Luma Comfort MF18W will use approximately 9 gallons of water for each hour of operation. The spray angle and water droplet size is determined by the water pressure at your location.

Speed control



Maintenance

Regular cleaning and maintenance is an essential step in maintaining the longevity of your misting fan and ensuring that it operates free of defects. Maintain your misting fan by following these steps:

- Always unplug the misting fan from the power supply before servicing or cleaning.
- Use a soft cloth and a mild soap and warm water solution to clean the fan's exterior. Do not use harsh cleaners, gasoline, paint thinner, benzene, etc., as these substances can damage the misting fan.
- Thoroughly dry all of the fan's parts with a soft cloth before reconnecting the unit to a power supply.
- If the misting fan will not be in use for an extended period of time, cover the unit and keep it stored in a clean, dry place.

Cleaning the Misting Nozzles

If the fan is not producing enough mist, check the nozzles to see if they are clogged with any sediment. If the nozzles are clogged, follow these steps to clean the nozzles:

- Turn off the fan and the water supply. Using a screwdriver, gently tap the nozzles to loosen any accumulated sediment.
- Remove the nozzles and soak them in a small container with vinegar or household lime and scale remover for 30 minutes. Heavier deposits may require longer soaking times and additional scrubbing with a stiff brush.
- DO NOT attempt to clear the misting nozzles with sharp objects such as pins or nails, as these can damage the nozzles.

Troubleshooting

Problem	Possible Cause(s)	Possible Solution
The fan does not turn on.	The power cord is not plugged in.	Check to make sure the plug is plugged into an outlet. Press the reset button on the GFCI plug.
No mist is coming out of the unit.	The water hose is not connected to a water supply. The misting nozzles may be clogged with sediment.	Make sure the water hose on the misting fan is correctly connected to a spigot or garden hose. Clean the misting nozzles as directed in the maintenance section of this owner's manual.
Water is leaking out of the water hose.	The connections are not tightly secured.	Check to make sure all of the fan's components are securely connected together.
The fan produces uneven mist.	There may be insufficient water flow. There is a leak in the water hose.	Adjust the water flow on your spigot or garden hose. Turn off the misting function and see if there are any air leaks in the hose. If the problem persists, contact customer service.

Technical Support

Luma Comfort is committed to providing a premier service experience. If you are experiencing any technical issues with your product related to either setup or operation, please contact our product support team at 1-866-737-6390 or support@lumacomfort.com.

Product Specifications

Model:	MF18W
Product Dimensions:	20.75" (D) x 20" (W) x 59.4" (H)
Product Weight:	33.4 pounds
Voltage:	110~120V
Wattage:	160W
Fan Head Size:	18"
Fan Speeds:	3
Maximum RPMs:	1600
Maximum Inlet Water Pressure:	0.6 Mpa
Minimum Inlet Water Pressure:	0.2 Mpa
Temperature Drop:	20 - 30° F
Adjustable Tilt:	Yes
Warranty:	1 year manufacturer's warranty

Warranty

Luma Comfort products are warranted to be free from defects in workmanship or materials for one (1) year from the date of purchase. If the product is found to be defective within this period, Luma Comfort, at its sole option, will repair or replace any components that fail during normal operation. The repairs or replacement will be made at no charge to the customer for parts and labor, assuming that the customer shall be responsible for all transportation costs to and from Luma Comfort.

Luma Comfort retains the right to repair or replace (with a new or newly-refurbished replacement product) the appliance at its sole discretion.

This warranty does NOT apply to the following:

- Products without a proof of purchase
- Products purchased from a source other than an authorized Luma Comfort dealer
- Cosmetic damage such as scratches or dents
- Damage caused by service performed by anyone who is not an authorized service provider of Luma Comfort
- Damage in transit
- Damage caused by accident, abuse, misuse, water, flood, fire, improper installation, maintenance negligence, commercial use for a non-commercial unit, acts of God or any other acts of nature or external causes
- Damage to a product caused by modifications or alterations without the written permission of Luma Comfort
- Normal wear and tear of parts that are designed to be replaced, such as filters or batteries
- Power failure and improper power supply such as low voltage, defective wiring or inadequate fuses
- Use of force or damage caused by external influences
- Complete or partially dismantled appliances

THE WARRANTIES AND REMEDIES CONTAINED HEREIN ARE EXCLUSIVE AND IN LIEU OF ALL OTHER WARRANTIES EXPRESS, IMPLIED, OR STATUTORY, INCLUDING ANY LIABILITY ARISING UNDER ANY WARRANTY OF MERCHANTABILITY OR FITNESS FOR A PARTICULAR PURPOSE, STATUTORY OR OTHERWISE. THIS WARRANTY GIVES YOU SPECIFIC LEGAL RIGHTS, WHICH MAY VARY FROM STATE TO STATE.

IN NO EVENT SHALL LUMA COMFORT BE LIABLE FOR ANY INCIDENTAL, SPECIAL, INDIRECT, OR CONSEQUENTIAL DAMAGES, WHETHER RESULTING FROM THE USE, MISUSE, OR INABILITY TO USE THIS PRODUCT OR FROM DEFECTS IN THE PRODUCT. SOME STATES DO NOT ALLOW THE EXCLUSION OF INCIDENTAL OR CONSEQUENTIAL DAMAGES, SO THE ABOVE LIMITATIONS MAY NOT APPLY TO YOU.

If you believe your product is defective, contact Luma Comfort for warranty service at 1-866-737-6390 or support@lumacomfort.com. In your correspondence with Luma Comfort, please describe the problem and request a return material authorization (RMA) number. You will also need to provide the proof of purchase, return shipping address and a daytime phone number.

After a Luma Comfort representative confirms that your product is defective and is still under warranty, you will receive an RMA and return shipping instructions. Products sent to our headquarters without an RMA will be refused.