



TILT OUT FRONT GLASS

## MODELS

KBD-CG-(40, 50, 60, 80)-S  
KBD-CG-(40, 50, 60, 80)-R  
KBD-CG-(40, 50, 60, 80)-D

## CURVED GLASS BAKERY DELI CASE

CASE HOLDS 36°F TO 40°F • FORCED AIR REFRIGERATION • TEMPERED TILT-OUT CURVED FRONT GLASS • TEMPERED SIDE GLASS AND REAR SLIDING DOORS  
LED LIGHTING IN CANOPY AND UNDER ALL SHELVES  
CASES CAN BE MULTIPLEXED



Intertek



Intertek



AUTODESK®  
REVIT®

SELF CONTAINED	Model	O.A. Length (inches)	Volume FT <sup>3</sup>	Electrical 115 Volts					NEMA 115 V Plug	Weight lbs		Crate Size (inches)			
				Front	Compressor		LIGHTS Fans HTRS	EVAP Pan		Total Amps	No Crate	With Crate	L"	W"	H"
					H.P	F.L.A									
	KBD-CG-40-S	40.4	13.28	3/8	8.4	1.3	3.3	13.0	5-15P	375	514	43.04	34.5	62.3	
	KBD-CG-50-S	52.2	17.50	1/2	9.6	1.5	3.3	14.4	5-20P	436	604	55.02	34.5	62.3	
	KBD-CG-60-S	60	20.31	1/2	9.6	1.6	3.3	14.5	5-20P	478	666	63	34.5	62.3	
	KBD-CG-80-S	77.5	26.56	1/2	9.6	2.7	3.3	15.6	5-20P	557	787	80.5	34.5	62.3	

REMOTE	Model	O.A. Length (inches)	115 Volts Total Amps	B.T.U	Weight lbs	
					No Crate	With Crate
					KBD-CG-40-R	40.4
KBD-CG-50-R	52.2	1.06	3110	381	549	
KBD-CG-60-R	60	1.10	3268	423	611	
KBD-CG-80-R	77.5	2.20	3987	502	732	

NON-REFRIGERATED	Model	O.A. Length (inches)	115 Volts Total Amps	NEMA 115 V Plug	Weight lbs	
					No Crate	With Crate
					KBD-CG-40-D	40.4
KBD-CG-50-D	52.6	0.33	5-15P	381	549	
KBD-CG-60-D	60	0.41	5-15P	423	611	
KBD-CG-80-D	77.5	0.46	5-15P	502	732	

**STANDARD FEATURES**

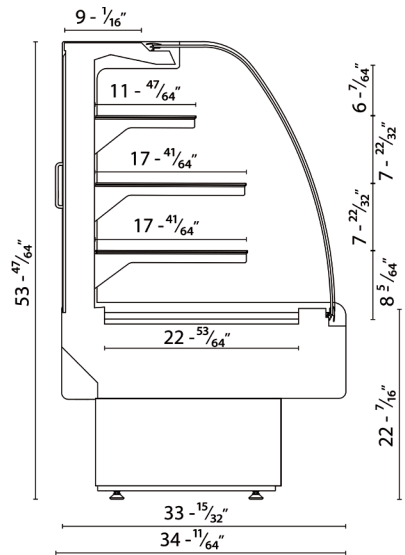
- Silver colored PVC coated steel front panel
- CFC free injected foam insulation
- PVC coated steel gray interior
- Black steel kick plate
- Foamed polystyrene black end panels
- Removable rear tempered glass sliding door
- Anti-condensate system for front glass
- Removable condensate evaporating pan for easy cleaning on self contained units
- Height adjustable, tempered glass shelves can be tilted
- Temperature and defrost regulated by a digital controller
- Digital temperature display
- Cord and plug on self-contained and dry units
- Levelling feet

**OPTIONAL FEATURES**

- Stainless steel exterior and / or interior
- Other colors available
- Additional shelves
- Joining kit
- Partition or product dividers
- Scale stand with 120 V receptacle
- Condensate evaporating pan for remote cases
- Casters-add 4-3/8" to height
- Stainless steel legs are adjustable from 5-1/8" to 7-5/8"

**WARRANTY**

One year parts and labor with an additional four years on the compressor (part only)



**NOTE**

These cases are engineered to operate in locations not exceeding 75°F and 55% R.H. These cases are designed to operate using R404a refrigerant. Alternate refrigerants available by special order. O.A. length includes (2) ends at 1-1/2" each. Ventilation grills at front and back cannot be blocked. B.T.U.'s are calculated at 14°F (evaporator) and 90°F (ambient). Remote cases are provided with an expansion valve and a liquid solenoid for pump down cycle. On remote cases, if no floor drain is provided, a condensate evaporating pan must be ordered and 3.3 amps added to the amp load. Remote cases must be hard wired - no plugs.

Tel: 786.600.4687 / Toll Free: 844.218.8477  
Fax: 786.661.4100

Tel: 514.737.9701 / Toll Free: 888.275.4538  
Fax: 514.342.3854 / toll free: 877.453.8832

sales@mvpgroupcorp.com / mvpgroupcorp.com



Hydra - Kool is a registered trademark of MVP Group Corp. SPECIFICATIONS SUBJECT TO CHANGE WITHOUT NOTICE