

robot coupe

"The Inventor & World Leader in Food Processors"

"Series E"

R602Y

Commercial Food Processor

Vertical Cutter-Mixer



- **2 HP, direct-drive, fan-cooled motor.**
- **Operates on standard 120V/60HZ/15 AMP power outlet**
- **Attachments easily removed for assured cleaning.**
- **Standard model includes 7 Qt. stainless steel stock-pot shaped bowl, see-thru lid with introduction port that allows user to add ingredients while processing and stainless steel "S" blade.**
- **Unit base uses minimal counter space (14 1/4" x 14 3/4").**
- **1 year parts and labor warranty.**

Prepare 500-plus batches in 3 hours

Bowl attachment designed for vertical cutting and mixing: mix, chop, puree and blend



Robot Coupe U.S.A., Inc.

P.O. Box 16625

Jackson, MS 39236-6625

1-800-824-1646 • (601) 898-8411

FAX: (601) 898-9134

www.robotcoupeusa.com

e-mail: info@robotcoupeusa.com

SPECIFICATIONS ON REVERSE SIDE

Specifications

STANDARD MODEL includes 7 Qt. stainless steel stock-pot shaped bowl, see-thru lid with introduction port that allows user to add ingrediants while processing and stainless steel "S" blade.

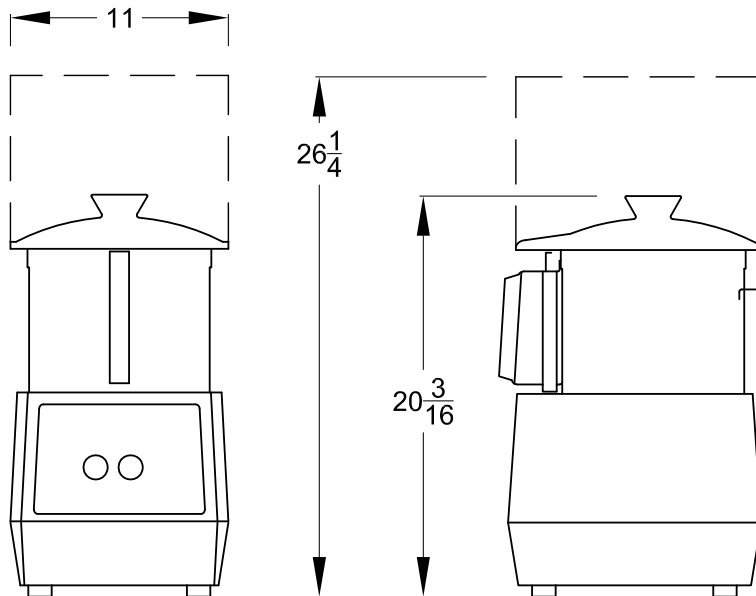
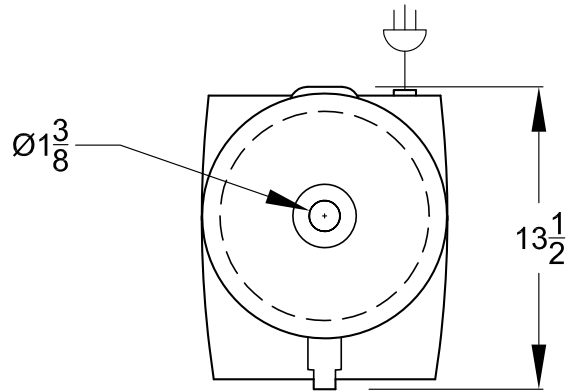
ELECTRICAL REQUIREMENTS: 120V-60 HZ, NEMA 5-15 Plug.

SWITCHING: Control panel with push-type on and off buttons.

MOTOR: 2 HP, 1725 RPM, direct-drive, fan-cooled, single phase.

WEIGHT: 74 lbs. net, 77 lbs. approximate shipping weight.

STANDARDS: ETL electrical & sanitation, cETL (Canada)



Robot Coupe U.S.A., Inc.
P.O. Box 16625
Jackson, MS 39236-6625
1-800-824-1646
(601) 898-8411
FAX: (601) 898-9134
www.robotcoupeusa.com
e-mail: info@robotcoupeusa.com

Distributed by: