

Item No. \_\_\_\_\_

Quantity \_\_\_\_\_

**nemco**® | FOOD  
EQUIPMENT

# Infrared Bulb Warmers



Model 6000A-2, with 66091 & 66089

Keep plated foods at optimum serving temperatures while maintaining their appetizing appearance with NEMCO's complete line of infrared bulb warmers. Each unit is perfect for holding baked foods, such as rolls, breads and desserts, as well as your most popular fried favorites and side dishes like chicken fingers, poppers, French fries and more. Or use them for steamed and broiled foods too.

Like all NEMCO equipment, these bulb warmers are designed to fit any kind of commercial space and size requirements, with portable freestanding and permanent hanging-fixtured designs available. All models feature an attractive, classic reflector hood design that blends easily with any interior style. The powder coat hood finish topped with a scratch resistant clear coat is durable, easy to clean and maintains its attractive appearance over a long period of time. Plus, you can order your own custom configuration with the option to specify color finish. The standard bulb package includes a set of clear, 250-watt infrared bulbs. Red 250-watt infrared bulbs and white, shatter-resistant 250-watt infrared bulbs are also available.

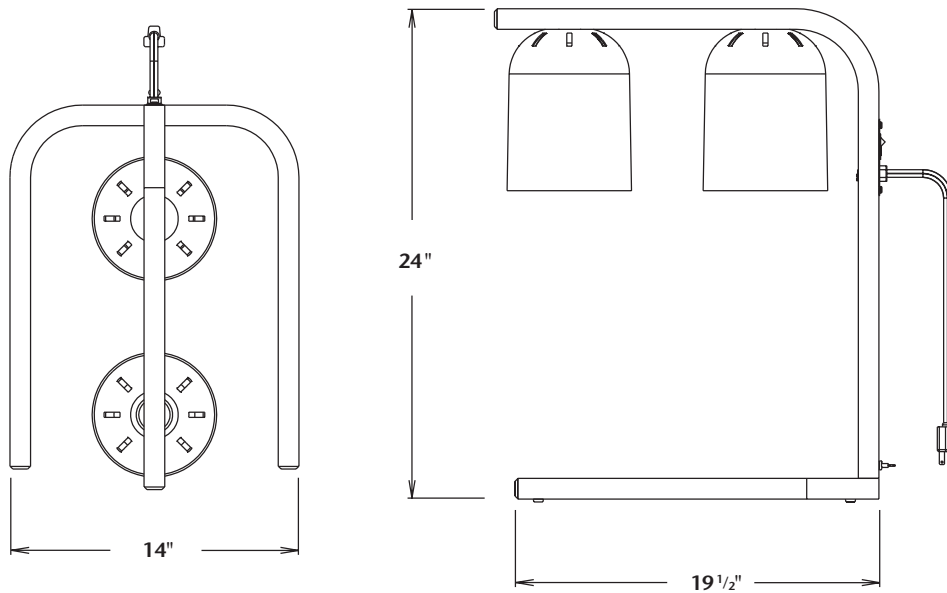
#### Standard Features

- Sturdy steel frame and aluminum hoods with powder coat grey, black or chrome finish
- Durable, scratch-resistant finish that is easy to clean
- 120-volt unit that plugs in a 15-amp outlet
- A 6-foot cord
- One-year parts and labor warranty



NEMCO Food Equipment, LTD.  
301 Meuse Argonne  
P.O. Box 305  
Hicksville, OH 43526  
Phone (419) 542-7751  
FAX (419) 542-6690  
[www.nemcofoodequip.com](http://www.nemcofoodequip.com)

## Countertop Bulb Warmers (Model 6000A-2 shown)



### Specifications

Model	Description	Volts	Watts	Adjustment	WxDxH	Unit Weight
6000A-1	Single bulb	120	250	6"	14"x19 <sup>1</sup> / <sub>2</sub> "x22"	6.50 lbs
6000A-2	Two bulb	120	500	6"	14"x19 <sup>1</sup> / <sub>2</sub> "x24"	8.00 lbs
6000A-2B	Two bulb, black finish	120	250	6"	14"x19 <sup>1</sup> / <sub>2</sub> "x24"	8.00 lbs
6000A-2C	Two bulb, chrome finish	120	250	6"	14"x19 <sup>1</sup> / <sub>2</sub> "x24"	8.00 lbs
6000A-3	Three bulb	120	750	6"	14"x29 <sup>1</sup> / <sub>4</sub> "x26 <sup>3</sup> / <sub>4</sub> "	10.00 lbs



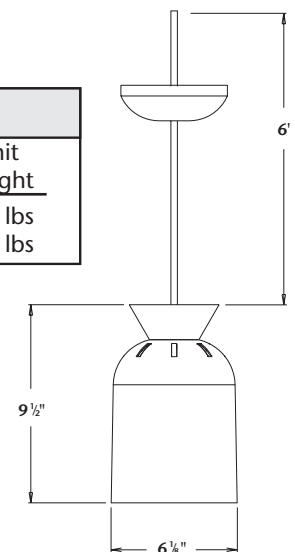
### Optional Accessories

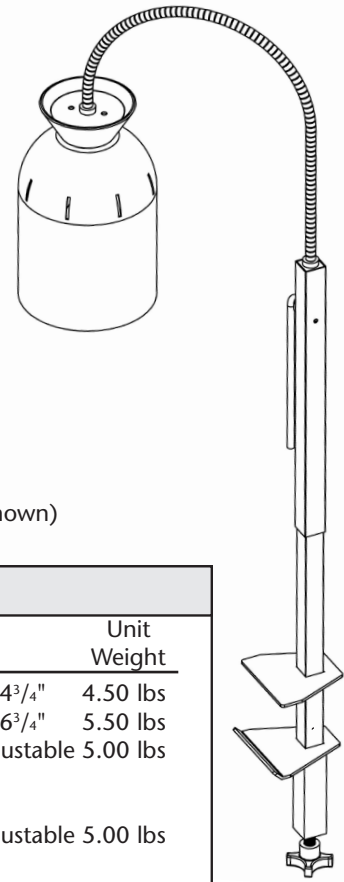
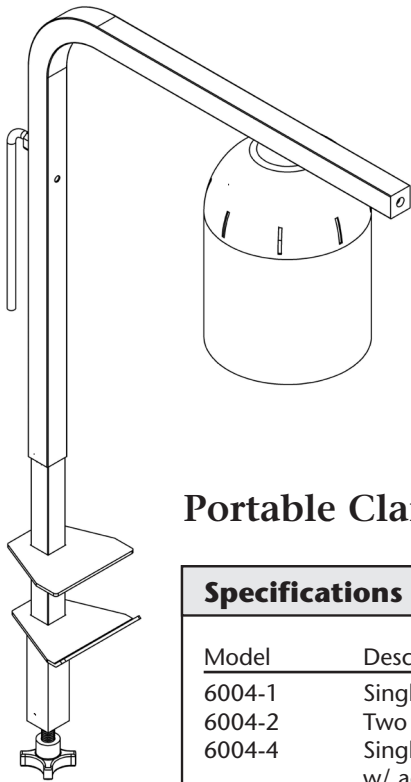
Model	Description
66089	Pan and screen set
66091	Tray for 6000A-1 & 6000A-2
66195	Tray for 6000A-3

## Ceiling-Mount Units (Model 6002 shown)

### Specifications

Model	Description	Volts	Watts	Width	Length	Unit Weight
6002	Single bulb	120	250	6 <sup>1</sup> / <sub>8</sub> " diameter	6' cord	2.00 lbs
6003	Single bulb	120	250	6 <sup>1</sup> / <sub>8</sub> " diameter	4' tube	2.50 lbs



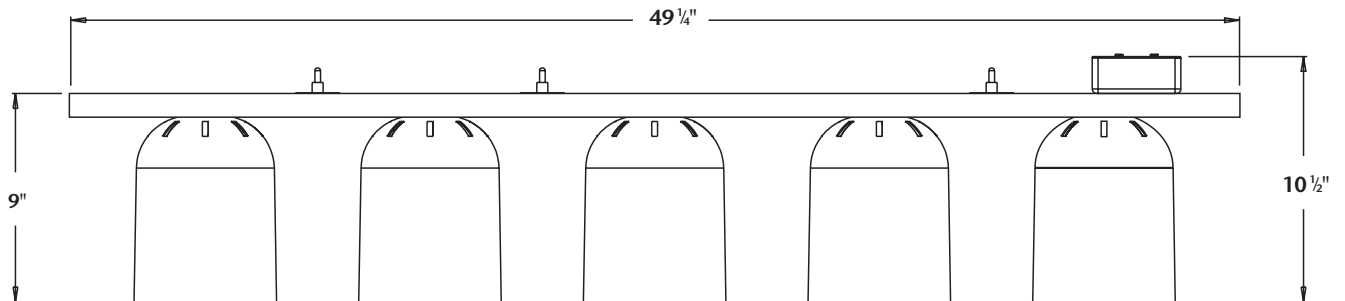


### Portable Clamp-On Units (Models 6004-1 (L), 6004-4 (R) shown)

Specifications						
Model	Description	Volts	Watts	Adjustment	WxDxH	Unit Weight
6004-1	Single bulb	120	250	6"	19 <sup>1</sup> / <sub>8</sub> "x6 <sup>1</sup> / <sub>8</sub> "x24 <sup>3</sup> / <sub>4</sub> "	4.50 lbs
6004-2	Two bulb	120	500	6"	19 <sup>1</sup> / <sub>8</sub> "x6 <sup>1</sup> / <sub>8</sub> "x26 <sup>3</sup> / <sub>4</sub> "	5.50 lbs
6004-4	Single bulb w/ adjustable 2' gooseneck	120	250	10"	11"x6 <sup>1</sup> / <sub>8</sub> "x adjustable	5.00 lbs
6004-4C	Single bulb, chrome finish w/ adjustable 2' gooseneck	120	250	10"	11"x6 <sup>1</sup> / <sub>8</sub> "x adjustable	5.00 lbs

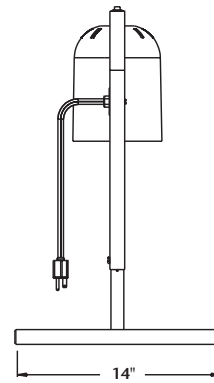
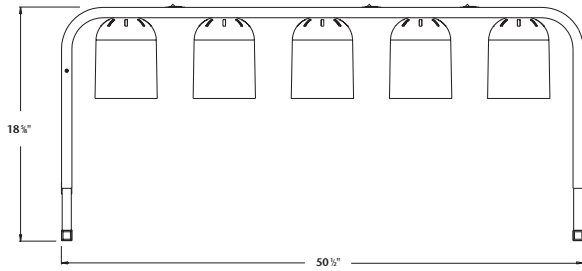


### Single-Row, Suspension-Bar, Chain-Hung Units (Model 6006-5 shown)



Specifications						
Model	Description	Volts	Watts	WxDxH	Unit Weight	
6006-2	Two bulb	120	500	21 <sup>1</sup> / <sub>4</sub> "x6 <sup>1</sup> / <sub>8</sub> "x10 <sup>1</sup> / <sub>2</sub> "	3.50 lbs	
6006-3	Three bulb	120	750	30 <sup>3</sup> / <sub>4</sub> "x6 <sup>1</sup> / <sub>8</sub> "x10 <sup>1</sup> / <sub>2</sub> "	5.50 lbs	
6006-4	Four bulb	120	1,000	40 <sup>1</sup> / <sub>4</sub> "x6 <sup>1</sup> / <sub>8</sub> "x10 <sup>1</sup> / <sub>2</sub> "	7.00 lbs	
6006-5	Five bulb	120	1,250	49 <sup>1</sup> / <sub>4</sub> "x6 <sup>1</sup> / <sub>8</sub> "x10 <sup>1</sup> / <sub>2</sub> "	8.50 lbs	
6006-6	Six bulb	120	1,500	59 <sup>1</sup> / <sub>4</sub> "x6 <sup>1</sup> / <sub>8</sub> "x10 <sup>1</sup> / <sub>2</sub> "	10.00 lbs	
6006-7	Seven bulb	120	1,750	68 <sup>3</sup> / <sub>4</sub> "x6 <sup>1</sup> / <sub>8</sub> "x10 <sup>1</sup> / <sub>2</sub> "	11.50 lbs	
6006-8	Eight bulb	120	2,000	78 <sup>1</sup> / <sub>4</sub> "x6 <sup>1</sup> / <sub>8</sub> "x10 <sup>1</sup> / <sub>2</sub> "	12.50 lbs	

## Portable Counter Units (Model 6008-5 shown)



### Specifications

#### Portable Counter Units

Model	Description	Volts	Watts	Adjustment	WxDxH	Unit Weight
6008-2	Two bulb	120	500	6"	22"x14"x18 <sup>5</sup> / <sub>8</sub> "	7.00 lbs
6008-3	Three bulb	120	750	6"	31 <sup>1</sup> / <sub>2</sub> "x14"x18 <sup>5</sup> / <sub>8</sub> "	8.50 lbs
6008-4	Four bulb	120	1,000	6"	41"x14"x18 <sup>5</sup> / <sub>8</sub> "	10.00 lbs
6008-5	Five bulb	120	1,250	6"	50 <sup>1</sup> / <sub>2</sub> "x14"x18 <sup>5</sup> / <sub>8</sub> "	11.50 lbs
6008-6	Six bulb	120	1,500	6"	60"x14"x18 <sup>5</sup> / <sub>8</sub> "	13.00 lbs
6008-7	Seven bulb	120	1,750	6"	69 <sup>1</sup> / <sub>2</sub> "x14"x18 <sup>5</sup> / <sub>8</sub> "	14.50 lbs
6008-8	Eight bulb	120	2,000	6"	79"x14"x18 <sup>5</sup> / <sub>8</sub> "	16.00 lbs

#### ETL Listed

6009-2	Two bulb	120	500	6"	22"x14"x18 <sup>5</sup> / <sub>8</sub> "	7.00 lbs
6009-3	Three bulb	120	750	6"	31 <sup>1</sup> / <sub>2</sub> "x14"x18 <sup>5</sup> / <sub>8</sub> "	8.50 lbs
6009-4	Four bulb	120	1,000	6"	41"x14"x18 <sup>5</sup> / <sub>8</sub> "	10.00 lbs
6009-5	Five bulb	120	1,250	6"	50 <sup>1</sup> / <sub>2</sub> "x14"x18 <sup>5</sup> / <sub>8</sub> "	11.50 lbs
6009-6	Six bulb	120	1,500	6"	60"x14"x18 <sup>5</sup> / <sub>8</sub> "	13.00 lbs

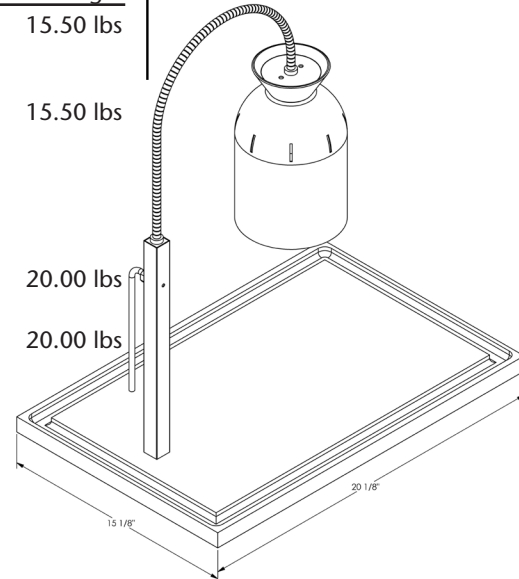


## Carving Stations With Flex-Mount Lamp (Model 6015 shown)

### Specifications

#### Carving Stations With Flex-Mount Lamp

Model	Description	Volts	Watts	Adjustment	WxDxH	Unit Weight
6015	Single bulb, w/ high-density polyethylene base	120	250	adjustable	15 <sup>1</sup> / <sub>8</sub> "x20 <sup>1</sup> / <sub>8</sub> "x43 <sup>1</sup> / <sub>2</sub> "	15.50 lbs
6015-DP	Single bulb, w/ reflex mount lamp, polyethylene base, deeper groove on base, heat lamp centered	120	250	adjustable	15 <sup>1</sup> / <sub>4</sub> "x23 <sup>1</sup> / <sub>4</sub> "x43 <sup>1</sup> / <sub>2</sub> "	15.50 lbs
6016	Single bulb, w/ wood base	120	250	adjustable	18 <sup>1</sup> / <sub>4</sub> "x24"x43 <sup>1</sup> / <sub>2</sub> "	20.00 lbs
6016C	Single bulb, chrome finish w/ wood base	120	250	adjustable	18 <sup>1</sup> / <sub>4</sub> "x24"x43 <sup>1</sup> / <sub>2</sub> "	20.00 lbs



#### Typical Specifications

All infrared bulb warmers shall be constructed of powder coated steel and powder coated aluminum materials. Every unit operates standard on 120-volt/15-amp power with a wattage of 250 per bulb (ranging up to 2,000 total watts for an eight-bulb unit). See model specifications for information regarding the approval of ETL, and shall be listed with the National Sanitation Foundation.

Made in U.S.A.

**nemco**® FOOD EQUIPMENT

NEMCO Food Equipment, LTD.  
301 Meuse Argonne, P.O. Box 305  
Hicksville, OH 43526  
Phone (419) 542-7751  
FAX (419) 542-6690  
www.nemcofoodequip.com

