

ONLY FROM

NEMCO
FOOD EQUIPMENT

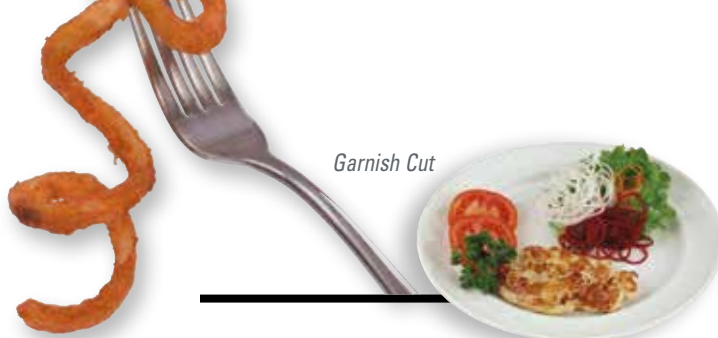
PowerKut PotatoKutter

Enjoy incredible specialty menu item profits
that are simply electric.



MANUFACTURED IN THE

USA



Garnish Cut

Cash In on Your Chips!

Turn an incredible profit with Nemco's versatile PowerKut PotatoKutter, capable of quickly and efficiently turning any wholesome, inexpensive fresh spud into one of four different specialty fried potato menu items.

One Machine, So Many Options

Keeping up with the specialty fried potato evolution, Nemco's PowerKut can easily produce any of these high-margin favorites with just a quick change of the front plate assembly:



Wavy Fry

Spiral Fry

Ribbon Fry

Chip Twister Fry

Fresh Costs You Less

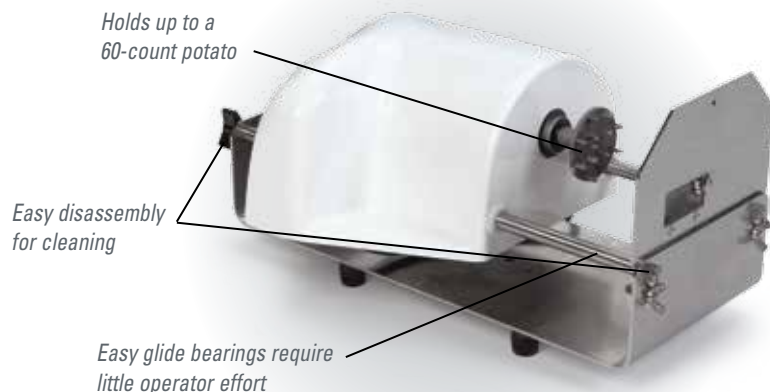
Put more money to your bottom line with fresh-cut versus frozen:

- Fresh potatoes don't need refrigeration—saving energy and freezer space.
- You save cooking energy because fresh fries faster than frozen and requires far less recovery time for the oil.
- PowerKut uses the entire potato—vitamin-rich skin and all.
- Best of all, every PowerKut item looks like a "double order" for high-value presentation.

Built to Serve . . . for Years

With the popularity of these specialty fried potato menu items, your PowerKut will undoubtedly be among the busiest food prep machines in your kitchen. So, Nemco built it for super durability and ease of use.

- Made of heavy-duty stainless steel and engineered plastics.
- Mounts conveniently on any flat surface (sink-mount units are also available).
- So effortless—just load the potato, apply minimal pressure with both hands and move the carriage forward.
- Extremely easy to disassemble for cleaning.
- Simple design is not over-engineered, providing reliable, long-life operation.
- Heavy-duty electric motor runs on standard 60-cycle, 120-volt power (a 230-volt power unit is available for use with an AC outlet).
- Required two-hand operation keeps operator clear of blade during use.



Holds up to a 60-count potato

Easy disassembly for cleaning

Easy glide bearings require little operator effort

Suggested Uses

Hot, crispy spiral, ribbon, wavy or chip twister fries make a savory, healthful, high-value presentation that customers love. PowerKut affords you the highest profit on every serving, and pays for itself in no time. It's perfect for creating signature-item appetizers, and is a great choice for the bar and lounge too. Plus, blade assemblies are available to quickly and easily cut attractive veggie garnishes (pictured above).

General Specifications

| Model | Description |
|-------------------------|---------------------|
| Spiral Fry | |
| 55150B-C | Spiral Fry |
| 55707-1-C | Face Plate Assembly |
| Ribbon Fry | |
| 55150B-R | Ribbon Fry |
| 55707-1-R | Face Plate Assembly |
| Garnish | |
| 55150B-G | Fine Cut Garnish |
| 55707-1-G | Face Plate Assembly |
| Wavy Ribbon Fry | |
| 55150B-WR | Wavy Ribbon Fry |
| 55707-1-WR | Face Plate Assembly |
| Chip Twister Fry | |
| 55150B-CT (straight) | Chip Twister Fry |
| 55707-1-CT (straight) | Face Plate Assembly |
| 55150B-WCT (wavy) | Chip Twister Fry |
| 55707-1-WCT (wavy) | Face Plate Assembly |

Dimensions

| | |
|-----------------------------|------------------|
| Equipment (l x w x h) | 17¼" x 10" x 8¾" |
| Shipping Carton (l x w x h) | 23" x 11" x 10½" |
| Equipment weight | 19.5 lbs |
| Shipping weight | 24 lbs |

Replacement parts are available through Nemco's 24-hour Zip Program.

Nemco reserves the right to make design, specification or model changes without notice.



NEMCO
FOOD EQUIPMENT

Corporate HQ
301 Meuse Argonne | Hicksville, OH 43526
800.782.6761 • 419.542.7751 • f: 419.542.6690
Nemco West Distribution Center/Test Kitchen
4300 E Magnolia Street | Phoenix, AZ 85034

NemcoFoodEquip.com

Printed 5/16. Printed in the USA.