

1700 Series

1750 Espresso Machine



Model 1750



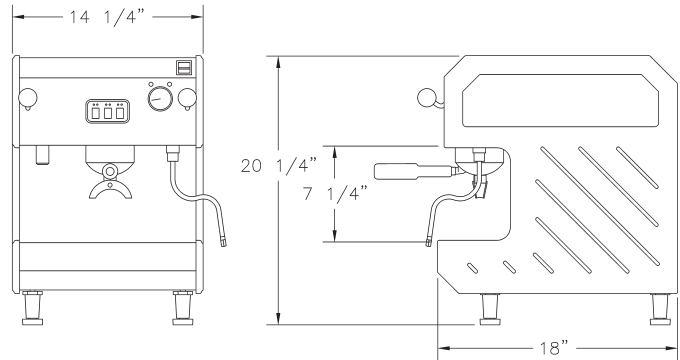
GRINDMASTER™
CORPORATION

Model 1750

Espresso Machine

Standard Features:

- One-group automatic, portion control
- Made in the USA with American parts
- High steam capacity for cappuccino
- Separate steam and water systems
- Black/chrome finish
- A complete selection of espresso and cappuccino accessories is available to meet all of your needs



Model 1750

Specifications	Model 1750
Voltage / Watts / Amps	115VAC / 60 Hz / 20A plug / 17A
Water Line	1/4" (6.25 mm)
Drain	Uses 3/4" (18.75 mm) ID drain hose
Boiler Size	Approximately 2 gal. (7.6L)
Dimensions (H x W x D)	20-1/4" x 14-1/4" x 17-1/2" (51 cm x 36 cm x 44 cm)
Shipping Dimensions (H x W x D)	22-1/2" x 23" x 18-3/4" (57 cm x 58 cm x 48 cm)
Shipping Weight	85 lbs. (38.25 kg)
Listings	UL, CUL Elec. & ETL Sanitation

All specifications are subject to improvement or change without notice.



GRINDMASTER™
CORPORATION



Grindmaster® Coffee Grinders and Brewers • PrecisionBrew™ Brewing Systems • Espresso® Espresso Machines
Crathco® Hot Beverage Dispensers • Crathco® Cold and Frozen Beverage Dispensers • AMW Coffee and Tea Systems
Tel (502) 425-4776 • Fax (502) 425-4664 • 1-800-695-4500 (USA & Canada only)

P.O. Box 35020 • Louisville, KY 40232 • USA