

# 2400 Series

## 2400 Series Espresso Machines



MODEL 2450Q



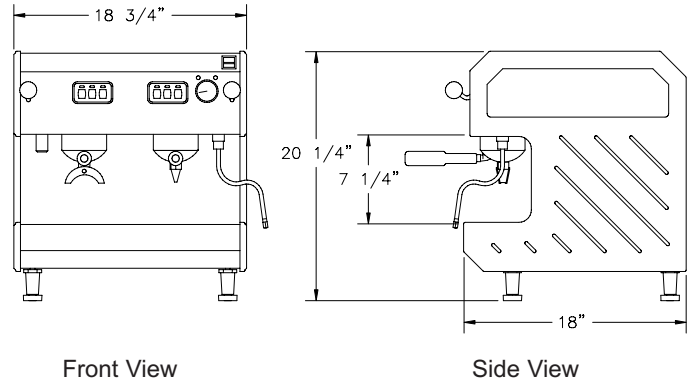
**GRINDMASTER™**  
CORPORATION

## 2400 Series

## Espresso Machines

### Standard Features:

- Made in the USA with American parts
- High steam capacity for cappuccino
- Separate steam and water systems
- Black/Chrome finish
- Two-group, automatic Models 2450 & 2450Q feature touch-pads to dispense preset portions of espresso
- Q models have a quick recovery that allows maximum capacity use in high volume accounts
- Each espresso machine includes a water filter/softening system, dump box, steam pitcher, measuring spoon, tamper, and cleaner



Model 2450

Specifications	Model 2450	Model 2450Q
<b>Voltage / Watts / Amps</b>	115VAC/60Hz/20A plug/17A	115/230V single phase/15A
<b>Water Line</b>	1/4" (6.35mm)	1/4" (6.35mm)
<b>Drain</b>	3/4" ID (18.75mm) drain hose	3/4" ID (18.75mm) drain hose
<b>Boiler Size</b>	Approx. 2 gal. (7.6L)	Approx. 2 gal. (7.6L)
<b>No. of Steam Wands</b>	1	2
<b>Dimensions (H x W x D)</b>	20-1/4" x 18-3/4" x 17" (51 cm x 48 cm x 43 cm)	20-1/4" x 18-3/4" x 17" (51 cm x 48 cm x 43 cm)
<b>Shipping Dimensions (H x W x D)</b>	23" x 22" x 23" (58 cm x 56 cm x 58 cm)	23" x 22" x 23" (58 cm x 56 cm x 58 cm)
<b>Shipping Weight</b>	105 lbs. (47 kg)	105 lbs. (47 kg)
<b>Listings</b>	UL, CUL Elec., ETL Sanitation	UL, CUL Elec., ETL Sanitation

Specifications are subject to improvement or change without notice.



**GRINDMASTER™**  
CORPORATION



Grindmaster® Coffee Grinders and Brewers • PrecisionBrew™ Brewing Systems • Espresso® Espresso Machines  
Crathco® Hot Beverage Dispensers • Crathco® Cold and Frozen Beverage Dispensers • AMW Coffee and Tea Systems  
Tel (502) 425-4776 • Fax (502) 425-4664 • 1-800-695-4500 (USA & Canada only)

P.O. Box 35020 • Louisville, KY 40232 • USA