

Project

Date

Models  
**890BS**  
**890T**

Item#

Quantity



model 890BS



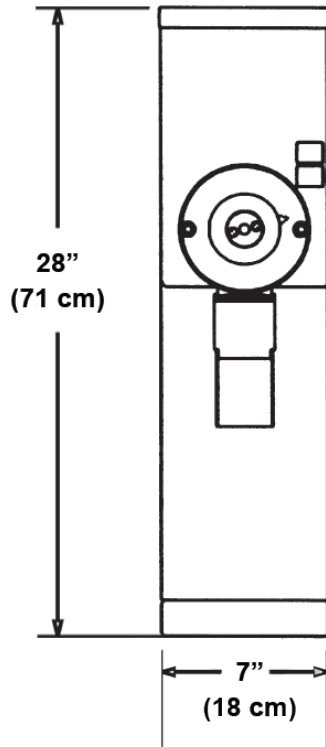
model 890T

## FEATURES

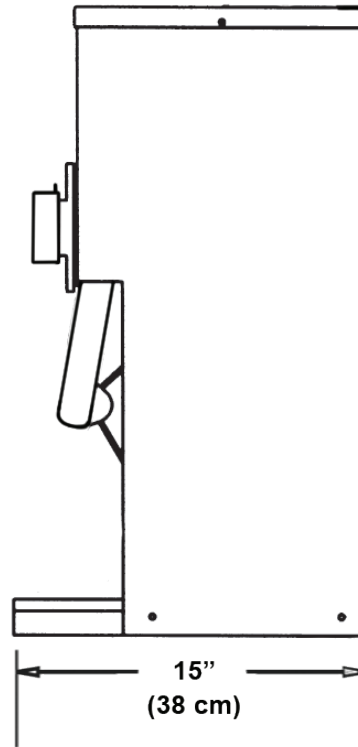
- Compact and powerful retail coffee grinders.
- Space-saving size of only 7" - 7.5" (18 -19 cm) wide, with a fast grind speed and powerful, energy-efficient 0.5 hp motor to make quick work of coffee beans.
- European slicing burrs for precise grinding.
- Motor includes circuit breaker.
- Multiple grind particle profile selections.
- Ideal for low to medium volume specialty shops, grocery stores, doughnut shops, and c-stores.
- Precision burrs guaranteed to process 40,000 lbs. (18,144 kg) of coffee at medium grind.
- Exceptional warranty program: burrs - 4 years or 40,000 lbs. (18,144 kg) of coffee, all other components - 2 years.



# 890 RETAIL COFFEE GRINDERS



Front View



Side View



model 890BS represented

## MODELS & SPECIFICATIONS

Model	Description	Electrical	Product Dimensions (H x W x D)	Shipping Dimensions (H x W x D)	Ship Weight
<b>890BS</b> (890-BS)	Black with European slicing burrs for precision grinding 3 lbs. (1.4 kg) hopper	115V / 0.92 kW / 8A / 1 Ph NEMA 5-15P line cord included.	28" x 7" x 15" (71 cm x 18 cm x 38 cm)	32" x 10.75" x 19.5" (81 cm x 27 cm x 50 cm)	48 lbs. (21.8 kg)
<b>890T</b> (890-B-T)	Black with European slicing burrs for precision grinding 5 lbs. (2.3 kg) hopper. <i>Does not include base or tray. Must be bolted to counter.</i>	115V / 0.92 kW / 8A / 1 Ph NEMA 5-15P line cord included.	31.25" x 7.5" x 14" (79 cm x 19 cm x 36 cm)	35" x 11" x 19" (89 cm x 28 cm x 48 cm)	49 lbs. (22.2 kg)