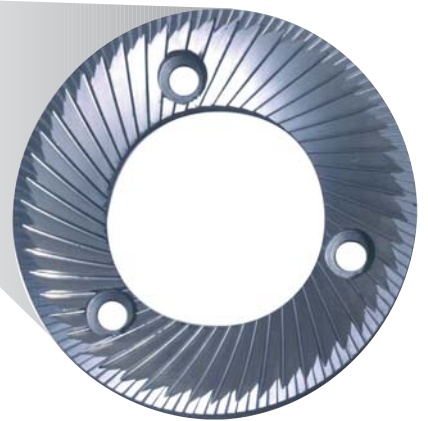


890 Series Grinders

Retail Grinders



MODEL 890

The model 890 provides faster grinding and accurate grind profile thanks to its European designed precision burrs. This space saving grinder offers a wide range of grind selections to accommodate all applications. Powerful and dependable, the 890 is designed for years of superior performance.

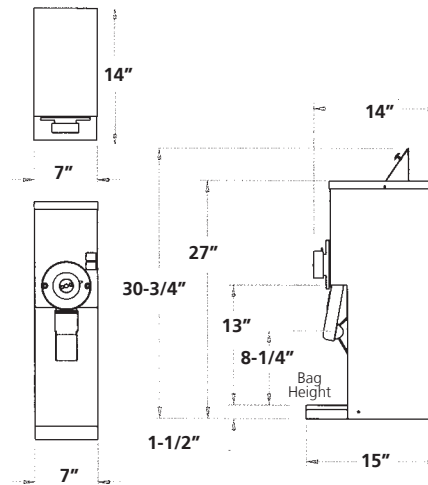


GRINDMASTER™
CORPORATION

Standard Features:

- New European burrs for precision grinding
- Fast grind speed: 2.5 lbs. (1.1kg) per minute
- Coarse to turkish grind selection
- Excels at fine grinds
- Space saving design - only 7" (18cm) wide
- 3 lb. (1.35kg) steep slope hopper designed for positive bean flow
- Large 8 1/4" (21cm) bag height accommodates all bag sizes
- Service friendly circuit breaker located on front of the machine
- Powerful 1/2 hp motor
- Efficient chaff spring with clean-out feature
- ETL Sanitation listing available*
- Available in black or red
- One year warranty on parts and labor (burrs not included)

* When ordering, add "S" on Model # to receive Sanitation listing



Specifications	890
Volts/Watts/Amps	115V/920W/8A
# of Hoppers	1
Hopper Size	3 lbs. (1.35kg)
Motor	Heavy Duty 1/2 HP
Grind Types	Turkish, Espresso, Fine, Auto-Drip, Drip, Percolator, Coarse
Dimensions (HxWxD)	27" x 7" x 15" (69cm x 18cm x 38cm)
Shipping Dimensions (HxWxD)	33 1/2" x 12 1/2" x 18 3/4" (85cm x 32cm x 48cm)
Weight	50 lbs. (22.5kg)
Shipping Weight	53 lbs. (24kg)
Listings	UL & CUL, ETL Sanitation Optional, CE

Specifications are subject to improvement or change without notice.

Ask about Grindmaster Corporation's line of Coffee Grinders, Coffee Brewers, Coffee Urns, Coffee Shuttles, Coffee Grinderbrewers, Espresso Grinders, Espresso Brewers, Beverage Dispensers, Granita Machines and Beverage Freezers.



GRINDMASTER™
CORPORATION



Grindmaster® Coffee Grinders and Brewers • Espresso® Espresso Machines • Crathco® Hot Beverage Dispensers
 Crathco® Cold and Frozen Beverage Dispensers • American Metal Ware® Coffee and Tea Systems
 Tel (502) 425-4776 • Fax (502) 425-4664 • 1-800-695-4500
 P.O. Box 35020 • Louisville, KY 40232 • USA
 www.grindmaster.com • email: info@grindmaster.com