

Project

Date

Models

CS-3D-16

CS-3D-16-S

CS-3D-22

CS-3D-22-S

Item#

Quantity



model CS-3D-16

FEATURES

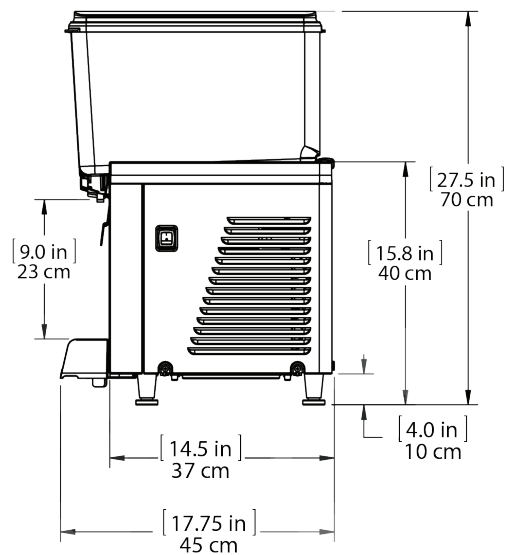
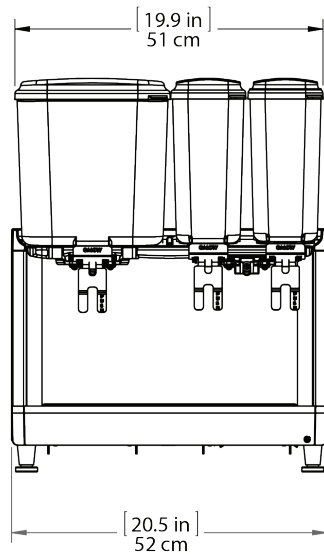
- Premix dispenser with stainless steel base and clear plastic bowls.
- Dispenses 3 flavors in (2) 2.4 gallon (9 L) and (1) 4.75 gallon (18 L) easy-clean bowls.
- Spray or Agitation model available.
- Agitation function for fresh juices, coffees, or teas with minimal foaming system.
- Spray function attracts more customers with dynamic moving product.
- Unique to Simplicity, the air intakes from the bottom and exhausts to back. This efficient cooling uses less energy and saves money.
- New easy-off bowl release system for faster and easier assembly and disassembly. No more reaching into the bowl makes cleaning easier and reduces labor.
- Compact size of 20.4" (52 cm) wide uses less counter space.
- 9" (22.9 cm) cup clearance for a variety of drinks.
- User-friendly design enables machine to dispense product till the very last drop.
- Fewer removable parts to simplify cleaning and reduce maintenance.
- Temperature range from 35 - 41° F (1.7 - 5° C).





SIMPLICITY™ BUBBLER® TRIPLE COMBO

model CS-3D-16
represented



MODELS & SPECIFICATIONS

Model	Description	Electrical	Product Dimensions (H x W x D)	Ship Dimensions (H x W x D)	Ship Weight in Two Boxes
CS-3D-16* Base: (231-00234) Bowl: (231-00547)	(2) 2.4 gallon (9 L) and (1) 4.75 gallon (18 L) bowls Agitator model	120V 60 Hz 8.5A	27.5" x 20.5" x 17.75" (70 cm x 52 cm x 45 cm)	Base: 20.8" x 19" x 24.8" (53 cm x 48 cm x 63 cm) Bowl: 25.6" x 22.4" x 12.2" (65 cm x 57 cm x 31 cm)	Total: 99 lbs. (44.9 kg) Base: 77 lbs. (34.9 kg) Bowl: 22 lbs. (10 kg)
CS-3D-16-S* Base: (231-00236) Bowl: (231-00548)	(2) 2.4 gallon (9 L) and (1) 4.75 gallon (18 L) bowls Spray model	120V 60 Hz 8.5A	27.5" x 20.5" x 17.75" (70 cm x 52 cm x 45 cm)	Base: 20.8" x 19" x 24.8" (53 cm x 48 cm x 63 cm) Bowl: 25.6" x 22.4" x 12.2" (65 cm x 57 cm x 31 cm)	Total: 99 lbs. (44.9 kg) Base: 77 lbs. (34.9 kg) Bowl: 22 lbs. (10 kg)
CS-3D-22 Base: (231-00233) Bowl: (231-00547)	(2) 2.4 gallon (9 L) and (1) 4.75 gallon (18 L) bowls Agitator model	230V 50/60 Hz 4.0A	27.5" x 20.5" x 17.75" (70 cm x 52 cm x 45 cm)	Base: 20.8" x 19" x 24.8" (53 cm x 48 cm x 63 cm) Bowl: 25.6" x 22.4" x 12.2" (65 cm x 57 cm x 31 cm)	Total: 99 lbs. (44.9 kg) Base: 77 lbs. (34.9 kg) Bowl: 22 lbs. (10 kg)
CS-3D-22-S Base: (231-00235) Bowl: (231-00548)	(2) 2.4 gallon (9 L) and (1) 4.75 gallon (18 L) bowls Spray model	230V 50/60 Hz 4.0A	27.5" x 20.5" x 17.75" (70 cm x 52 cm x 45 cm)	Base: 20.8" x 19" x 24.8" (53 cm x 48 cm x 63 cm) Bowl: 25.6" x 22.4" x 12.2" (65 cm x 57 cm x 31 cm)	Total: 99 lbs. (44.9 kg) Base: 77 lbs. (34.9 kg) Bowl: 22 lbs. (10 kg)

***Electrical:** NEMA 5-15P line cord included.

Refrigeration: 1/10 hp.

Note: Product Dimension Height includes 4" (10 cm) legs.

OPTIONS

Condenser Filter (210-00585) - Protect your condenser with a removable, easy-to-clean filter

BPA-Free Bowl (231-00009T) - Dishwasher safe 2.4 gal. (9 L) bowl

BPA-Free Lid (210-00125T) - Dishwasher safe lid for 2.4 gal. (9 L) bowl

BPA-Free Pump Cover (210-00128T) - Dishwasher safe, 6.5" (16.5 cm) long

Liquid Autofill Control Box (2001-000) - Not for use with RO water systems