

CLASSIC BUBBLERS™ MINI-TWIN

Project	Date	Models	Item#	Quantity
		E29-3, E29-4, E295-3, E295-4, E296-3, E296-4		



model E29-3

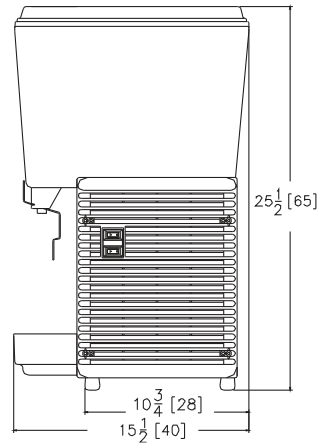
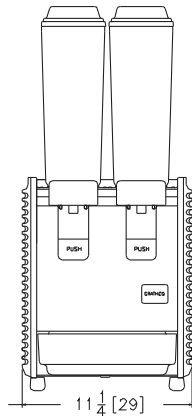
Features

- Pre-mix dispenser in compact size saves valuable counter space.
- Dispense 2 flavors in less than one square foot with 8 inch (20 cm) cup height.
- Two-piece stainless steel dripless pouring valves are sanitary and easy to use and maintain.
- Large capacity drip pan holds more.
- Two generous, yet compact, 2.4 gallon (9 L) easy-clean bowls.
- Unique evaporator and high efficiency pump cools faster and more efficiently for quick start-up.
- Superior engineering allows full beverage cooling right down to the last drink.
- 1/6 hp refrigeration.
- Super-strong, virtually unbreakable polycarbonate bowls and covers give lasting durability.
- Agitators are included with each unit for fresh juices, coffees, or teas.

Models & Dimensions



Classic Bubblers™ Mini-Twin



model E29 represented
measurements in inches [cm]

Specifications

Model	Description	Electrical	Product Dimensions (H x W X D)	Ship Dimensions - two boxes (H x W X D)	Ship Weight
E29-3 Base: (5584) Bowl: (5114)	Stainless steel side panels and drip tray UL, NSF, CUL Certification	120V / 400W / 4 A 1 Ph	25.5" x 11.25" x 15.5" (65 cm x 29 cm x 40 cm)	Base: 22.25" x 16.25" x 15.25" (57 cm x 41 cm x 39 cm) Bowl: 26 1/8" x 19 5/8" x 9.5" (66 cm x 50 cm x 24 cm)	56 lbs (base: 45, bowls: 11) 25.4 kg (base: 20.4, bowls: 5)
E29-4 Base: (5583) Bowl: (5124)	Plastic side panels and drip tray UL, NSF, CUL Certification	120V / 400W / 4 A 1 Ph	25.5" x 11.25" x 15.5" (65 cm x 29 cm x 40 cm)	Base: 22.25" x 16.25" x 15.25" (57 cm x 41 cm x 39 cm) Bowl: 26 1/8" x 19 5/8" x 9.5" (66 cm x 50 cm x 24 cm)	56 lbs (base: 45, bowls: 11) 25.4 kg (base: 20.4, bowls: 5)
E295*	NSF, CE Certification	230V / 50Hz / 1.7A	25.5" x 11.25" x 15.5" (65 cm x 29 cm x 40 cm)	Base: 22.25" x 16.25" x 15.25" (57 cm x 41 cm x 39 cm) Bowl: 26 1/8" x 19 5/8" x 9.5" (66 cm x 50 cm x 24 cm)	56 lbs (base: 45, bowls: 11) 25.4 kg (base: 20.4, bowls: 5)
E296**	NSF, CE Certification	230V / 60Hz / 1.7A	25.5" x 11.25" x 15.5" (65 cm x 29 cm x 40 cm)	Base: 22.25" x 16.25" x 15.25" (57 cm x 41 cm x 39 cm) Bowl: 26 1/8" x 19 5/8" x 9.5" (66 cm x 50 cm x 24 cm)	56 lbs (base: 45, bowls: 11) 25.4 kg (base: 20.4, bowls: 5)

* (E295-3) = Stainless steel side panels and drip tray (E295- 4) = Plastic side panels and drip tray

** (E296-3) = Stainless steel side panels and drip tray (E296- 4) = Plastic side panels and drip tray

Refrigerant: 134A

Options

Valve Cap (2039) - Improves sealing of valve when using pulpy product

Valve Locking Box (2502) - Secures the valve from dispensing during off-hours - not to be used with non-contact handle

Liquid Auto Fill (90295) - Ensures proper product and mixing consistency, eliminates need for frequent manual mixing

Low Foam Impeller (3709) - Use with iced tea and milk based drinks to minimize foaming

Milk Fat Impellers (1161M Lg Blue or 1008M Sm Red) - Use with milk-based products, and/or products with heavy pulp

Condensation Cover (3666) - Direct and conceal condensation in high humidity or outdoor locations

Security Kit (5351) - Use with E29 models



GMCW™ 4003 Collins Lane, Louisville, KY 40245 USA

Tel: +1.502.425.4776 / 800.695.4500 (USA & Canada only) • Fax: +1.502.425.4664 • www.gmcw.com • Email: info@gmcw.com