

VENEZIA II ESPRESSO MACHINES

Project	Date	Models	Item#	Quantity
		ESP1-110V, ESP1-220V, ESP2-220V, ESP3-220V		



model ESP2-220V



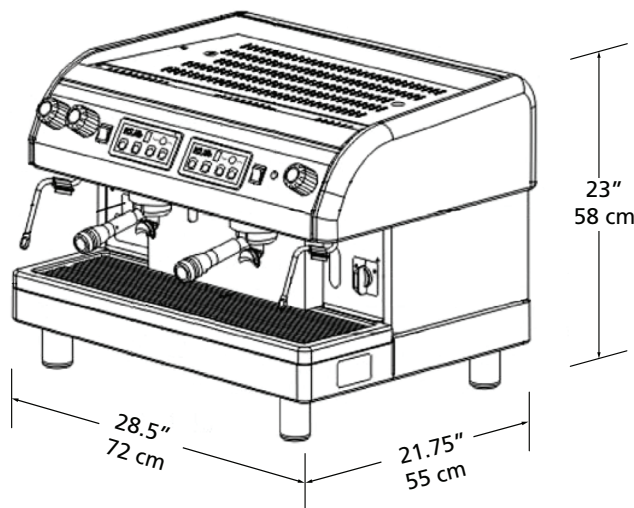
model ESP1-110V

Features

- Easy Espresso!
- Dispense in automatic or semi-automatic mode.
- Makes single or double espresso; 1 or 2 cups at a time.
- Touch pad control panel and LED display.
- Dual pressure gauge with readouts for the dispensing water and boiler steam pressure.
- Heavy duty design - built-in 260W motor and 200-300 qt/hr pump.
- Sight glass for instant and easy monitoring of the water tank level.
- Auto cleaning function that flushes the line to the brew head.
- Stainless steel dual boiler.
- Hot water dispensing valve.

Models & Dimensions

Venezia II Espresso Machines



model ESP2-220V

Specifications

Model	Description	Number of Heads	Boiler Size	Cups per Hour*	Electrical	Product Dimensions (H x W X D)	Ship Weight
ESP1-110V (077903L)	Automatic / Semi Automatic	1 Group	6 qts. (5.7 L)	240	120V / 2 kW / 18 A / 1 Ph	23" x 20" x 21.75" (58 cm x 51 cm x 55 cm)	106 lbs. (48.1 kg)
ESP1-220V (077900L)	Automatic / Semi Automatic	2 Group	6 qts. (5.7 L)	240	240V / 2.5 kW / 10 A / 1 Ph	23" x 20" x 21.75" (58 cm x 51 cm x 55 cm)	106 lbs. (48.1 kg)
ESP2-220V (077901L)	Automatic / Semi Automatic	2 Group	13 qts. (12.3 L)	480	240V / 4.7 kW / 20 A / 1 Ph	23" x 28.5" x 21.75" (58 cm x 72 cm x 55 cm)	200 lbs. (91 kg)
ESP3-220V (077902L)	Automatic / Semi Automatic	3 Group	19 qts. (18.0 L)	720	240V / 6.5 kW / 27 A / 1 Ph	23" x 37.5" x 21.75" (58 cm x 95 cm x 55 cm)	250 lbs. (113 kg)

Plumbing: Unit attaches to 0.75" hose connection, 0.5" water line required.

Electrical: Line cord included, WITHOUT plug.

Note: In-line water filter must be installed for warranty to be in effect. Does not include Barista Training.

Single and double cup Porta Filters and hoses are included with all espresso machines.

* Demi Tasse Cups.

Options

Installation Package (OPTESP) - Includes in-line water filter.

Carbon Filter Cartridge (60254) - Filters out impurities and softens the water. Reduces mineral build-up that can damage your machine.

Dump Box (60220) - Provides the ideal place to discard used coffee grounds.

Espresso Machine Cleaner (60207) - One packet used to back wash each group head once a week.

Filter System (60206) - Includes housing and 2 cartridges (carbon filter and water softener).

Hand Tamper (60112) - Perfect for flattening and leveling the bed of ground coffee in your filter holder.

Kit #1 (60201) - Includes: dump box, steam pitcher, measuring spoon, tamper, and cleaner.

Kit #2 (60205) - Includes: water filter/softening system, dump box, steam pitcher, measuring spoon, tamper, and cleaner.

Measuring Spoon (60113) - Stainless steel measuring spoon, holds 7 grams of coffee.

External Water Pump Kit (63174) - Provides 60 psi from any size container.

20 oz. / 0.6 L Steam Pitcher (60208) - A must for steaming and frothing milk.

32 oz. / 1 L Steam Pitcher (60247) - A must for steaming and frothing milk.

Water Softener Cartridge (60253)

